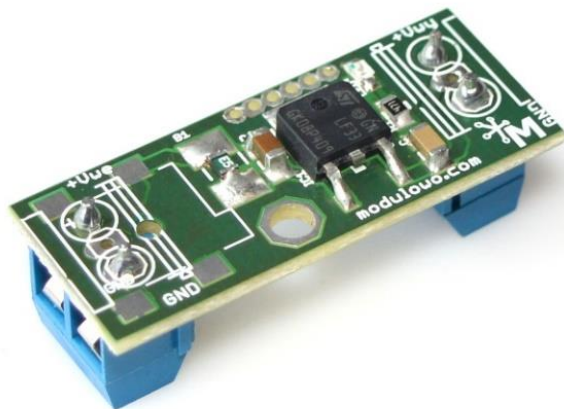




MOD – 06/3.3V

Breadboard Power Supply +3.3V

With 500mA Protection



Store: store.modulowo.com
Tutorials: academy.modulowo.com
Documentation and schematics: products.modulowo.com
Software and projects: app.modulowo.com
Blog: blog.modulowo.com

Modułowo sp. z o.o.
ul. Mokotowska 1,
00-640 Warsaw, POLAND
E-mail: info@modulowo.com



The module enables to stabilize the output voltage at the appropriate level . It can be supplied with voltage up to + 16V and the output voltage of + 3.3V .

Electronic devices require power supply of a specified voltage. The stabilizer is used to stabilize the output voltage at an appropriate level and filter any interferences. The module can be supplied with a voltage of up to +16V. The output voltage is +3.3 V.

For example, if you have a power supply of +14V and a connected voltage stabilizer, you will get +3.3V at its output (other voltage values available too), which can be used to supply the microcontroller.



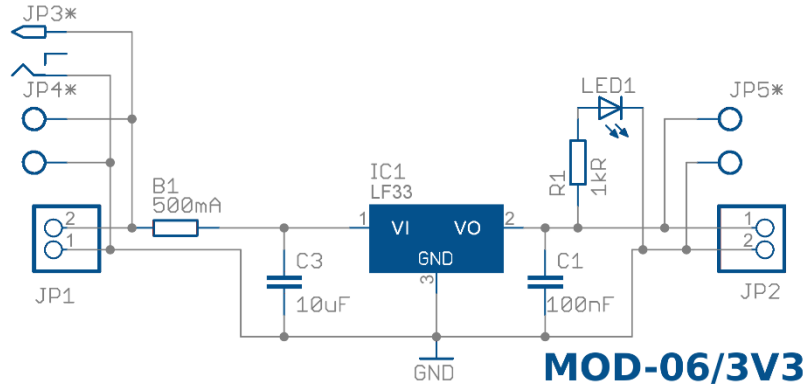
Specifications:

Code and Product Name	MOD-06/3.3V Breadboard Power Supply +3.3V With 500mA Protection
Integrated Circuit	LF33
Protection	Polymer Fuse 500mA
Power	Up to +16V
LED Indication	yes
Output Voltage	+3.3V
Dimensions	15 mm x 37 mm
Additional Information	In the case of larger load currents and a significant difference between the supply voltage and the output voltage you may need to use a radiator to dissipate heat

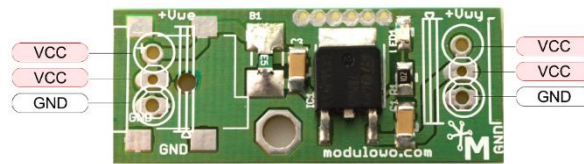
Your list of modules

Each module has a unique serial number. Go to www.modulowo.com/list, enter the serial number and add the module to your list. This will allow quick access to the documentation and software.

Schematic:



Pinouts:



MOD-06

X-ON Electronics

Largest Supplier of Electrical and Electronic Components

Click to view similar products for [modulowo](#) manufacturer:

Other Similar products are found below :

[MOD-49](#) [MOD-66](#) [MOD-69](#) [MOD-47.Z](#) [MOD-61](#) [MOD-23.Z](#) [MOD-54](#) [MOD-84](#) [MOD-13.Z](#) [MOD-62](#) [MOD-76](#) [MOD-82](#) [MOD-22.Z](#)
[MOD-74](#) [MOD-81](#) [MOD-58](#) [MOD-29.Z](#) [MOD-60](#) [MOD-64](#) [MOD-70](#) [MOD-31.Z](#) [MOD-37.Z](#) [MOD-09.Z](#) [MOD-28.Z](#) [MOD-30.Z](#) [MOD-50](#)