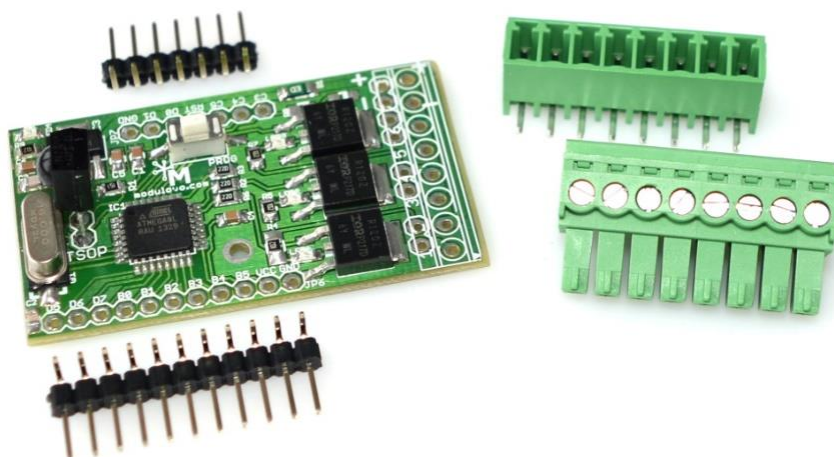


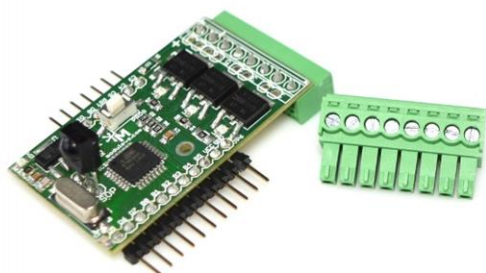
## MOD - 09

### 3-chanel IR Remote Control Switch



Store: [store.modulowo.com](https://store.modulowo.com)  
Tutorials: [academy.modulowo.com](https://academy.modulowo.com)  
Documentation and schematics: [products.modulowo.com](https://products.modulowo.com)  
Software and projects: [app.modulowo.com](https://app.modulowo.com)  
Blog: [blog.modulowo.com](https://blog.modulowo.com)

**Modułowo sp. z o.o.**  
ul. Mokotowska 1,  
00-640 Warsaw, POLAND  
E-mail: [info@modulowo.com](mailto:info@modulowo.com)



*The module is used for remote control, using any IR remote control that utilizes the popular RC5 code. A small size, built-in 3 channels and routed pins from the microcontroller give you the chance to extend the set with additional functions.*

The method of programming is very simple - just press the PROG button on the board and the LED lights up, indicating that the current channel is being programmed. After pressing the button on the remote control, the code will be remembered, and then another LED lights up, indicating another channel. When all three channels are programmed, the LED will display a short animation indicating that the codes have been correctly remembered.

**Note! The module supports only RC5 codes. Before purchasing, check whether the remote control supports this type of transmission.**

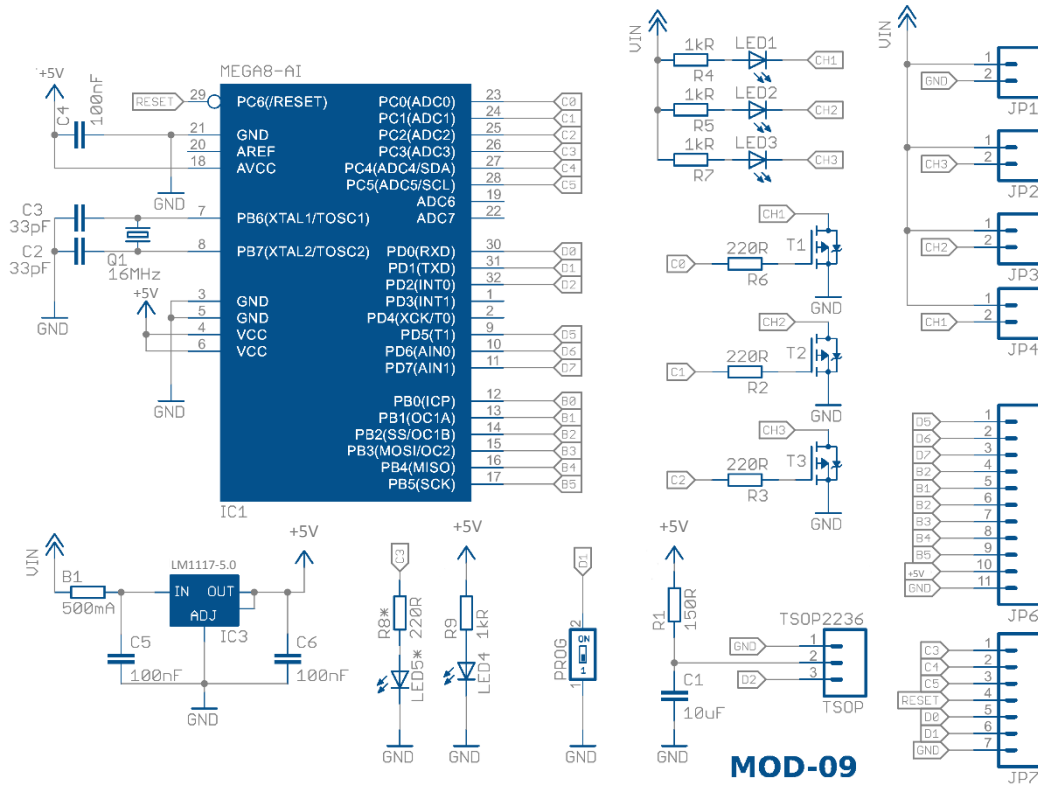
## Specifications:

<b>Code and Product Name</b>	<b>MOD-09 3-chanel IR Remote Control Switch</b>
<b>Integrated Circuit</b>	ATmega8A
<b>Protection</b>	Polymer Fuse 500mA for Digital Block
<b>Output Pins</b>	11-pin and 7-pin, EDG 8-pin
<b>Power</b>	+7 V to +12 V
<b>Current Limit</b>	500mA per channel
<b>LED Indication</b>	yes
<b>Dimensions</b>	50 mm x 30 mm
<b>Additional Information</b>	built-in Voltage stabiliser + 5V
	PROG button for programming control IR-codes (RC5)
	programming 10000 times

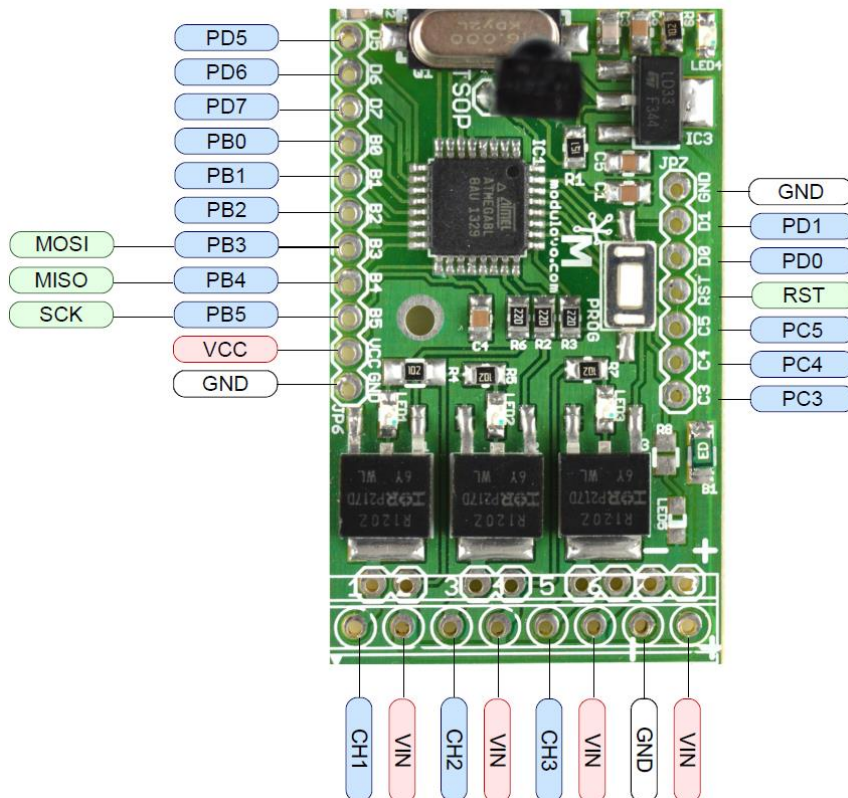
## Your list of modules

Each module has a unique serial number. Go to [www.modulowo.com/list](http://www.modulowo.com/list), enter the serial number and add the module to your list. This will allow quick access to the documentation and software.

### Schematic:



### Pinouts:



## X-ON Electronics

Largest Supplier of Electrical and Electronic Components

*Click to view similar products for [Development Boards & Kits - ARM category](#):*

*Click to view products by [Modulowo manufacturer](#):*

Other Similar products are found below :

[CWH-CTP-VSPA-YE](#) [CY4541](#) [EVAL-ADUCM320IQSPZ](#) [FRDM-KV31F](#) [POLYPOD-BGA324](#) [POLYPOD-TQ144](#) [POLYPOD-TQ176](#)  
[KEA128LEDLIGHTRD](#) [KIT\\_XMC42\\_EE1\\_001](#) [SAFETI-HSK-RM48](#) [LS1024A-RDB](#) [ADM00573](#) [FRDM-KL28Z](#) [PICOHOBBITFL](#)  
[MCIMX53-START-R](#) [TWR-K65F180M](#) [KEA128BLDCRD](#) [CC-ACC-MMK-2443](#) [STM8L1528-EVAL](#) [YSPKS5D9E10](#) [YGRPEACHFULL](#)  
[TWR-MC-FRDMKE02Z](#) [TWR-K80F150M](#) [CY14NVS RAMKIT-001](#) [EVALSPEAR320CPU](#) [EVB-SCMIMX6SX](#) [MAXWSNENV#](#) [FM0-64L-S6E1C3](#) [MAX32600-KIT#](#) [TMDX570LS04HDK](#) [Z32F3840100KITG](#) [LS1021A-IOT-B](#) [SK-FM3-100PMC-MB9BF516N](#) [TXSD-SV70](#)  
[YSTBS3A3E10](#) [YR8A77430HA02BG](#) [STM3240G-USB/NMF](#) [OM13080UL](#) [EVAL-ADUC7120QSPZ](#) [CYDP-KIT-13638](#) [OM13063UL](#)  
[ATAVRPARROT](#) [OM13090UL](#) [YSPEHMI1S20](#) [TXSD-SV71](#) [YGRPEACHNORMAL](#) [SK-FM3-176PMC-ETHERNET](#) [HVP-KV11Z75M](#)  
[OM13076UL](#) [LX2RDBKIT2-25G](#)