

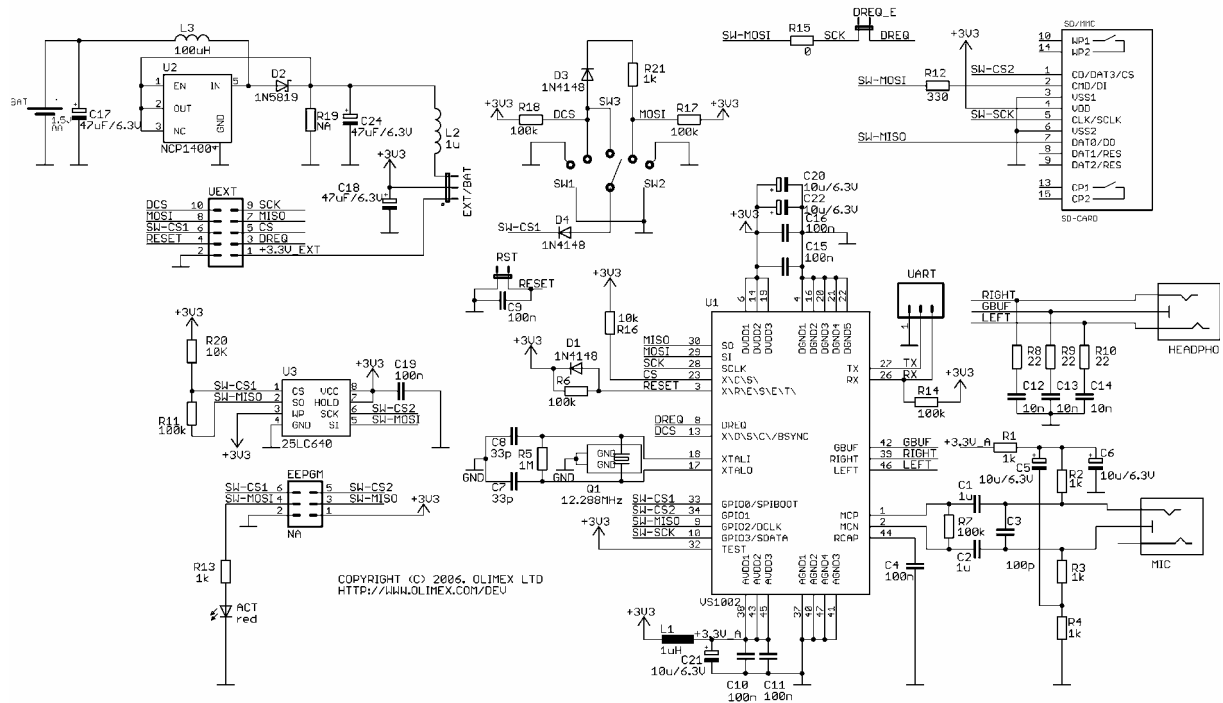
MOD-MP3 is low power MP3 player module based on VS1002 hardware decoder for MPEG 1 & 2 audio layer 3 (ISO 11172-3), MP3+V, WAV and PCM files ; supports ADPCM encoding and decoding ; supports VBR (variable bit rate) for MP3; Supports streaming
 MOD-MP3 can work as stand alone MP3 player with single cell 1.5V battery and on board SD/MMC card, but can be connected as slave device to host microcontroller.

The module features are:

- **VS1002** hardware decoder for MPEG 1 & 2 audio layer 3
- plays **MP3, WAV, PCM** files
- for **MP3** supports variable bit rate and streaming
- very low power, works from single **1.5V battery cell**
- Stereo Audio output for headphones
- Stereo Audio input for microphone, **ADPCM** encoding and decoding
- On board **UEXT** connector for connection to host microcontroller – in slave mode it will play the bit stream from the host microcontroller which opens possibilities for easy adding voice to industrial applications, toys, robots etc.
- On board (on back side) **SD/MMC** card connector
- Can work as **MP3 player** without need for host microcontroller in stand-alone mode booting the VS1002 firmware from on-board EEPROM, in this mode the on board 3 action lever switch can perform Pause/Play, Forward and Reverse action
- PCB: FR-4, 1.5 mm (0,062"), red soldermask, white silkscreen component print
- Dimensions: 57x45 mm (2.2x1.8")

Sample code for driving MOD-MP3 in slave mode with LPC-P2148 board connected to UEXT is available on our web page www.olimex.com/dev

Schematic:



X-ON Electronics

Largest Supplier of Electrical and Electronic Components

Click to view similar products for [Audio IC Development Tools](#) category:

Click to view products by [Olimex](#) manufacturer:

Other Similar products are found below :

[PCM2903EVM-U](#) [EVAL-AD1871EBZ](#) [PGA4311EVM](#) [1580/5171-DEMO](#) [LM4906MMBD](#) [LM4935RLEVAL](#) [LME49710NABD](#)
[LME49740MABD](#) [LME49740NABD](#) [LME49860MABD](#) [LME49870MABD](#) [EV1740EC-00A](#) [EVAL-AD1939AZ](#) [EVAL-AD1940AZ](#)
[EVAL-ADAU1401AEBZ](#) [EVAL-SSM2529Z](#) [EVAL-SSM2537Z](#) [SRC4382EVM-PDK](#) [ADZS-SHAUDIO-EZEXT](#) [STEVAL-CCA037V1](#)
[TLV320AIC3110EVM-U](#) [TLV320AIC36EVM-K](#) [TLV320DAC3120EVM-U](#) [TPA5052EVM](#) [TPA6136A2YFFEVM](#) [LM4562HABD](#)
[LM4906LDBD](#) [LM4923LQBD](#) [LM4992SDBD](#) [LME49710MABD](#) [LME49713MABD](#) [LME49860NABD](#) [CDB47L90-M-1](#) [STEVAL-](#)
[CCA053V1](#) [TPA2038D1YFFEVM](#) [STEVAL-CCA049V1](#) [EVAL-AD1974AZ](#) [EVAL-SSM2518Z](#) [MAX9892EVKIT+](#)
[MAX98089EVKIT#TQFN](#) [MAX9724AEVKIT+](#) [MAX4411EVKIT](#) [STEVAL-MKI139V1](#) [MAX98502EVKIT#](#) [MAX98089EVKIT#WLP](#)
[MAX98300EVKIT+WLP](#) [MAX9867EVKIT+](#) [MAX9738EVKIT+](#) [MAX98358EVSYS#WLP](#) [MAX9723DEVKIT+](#)