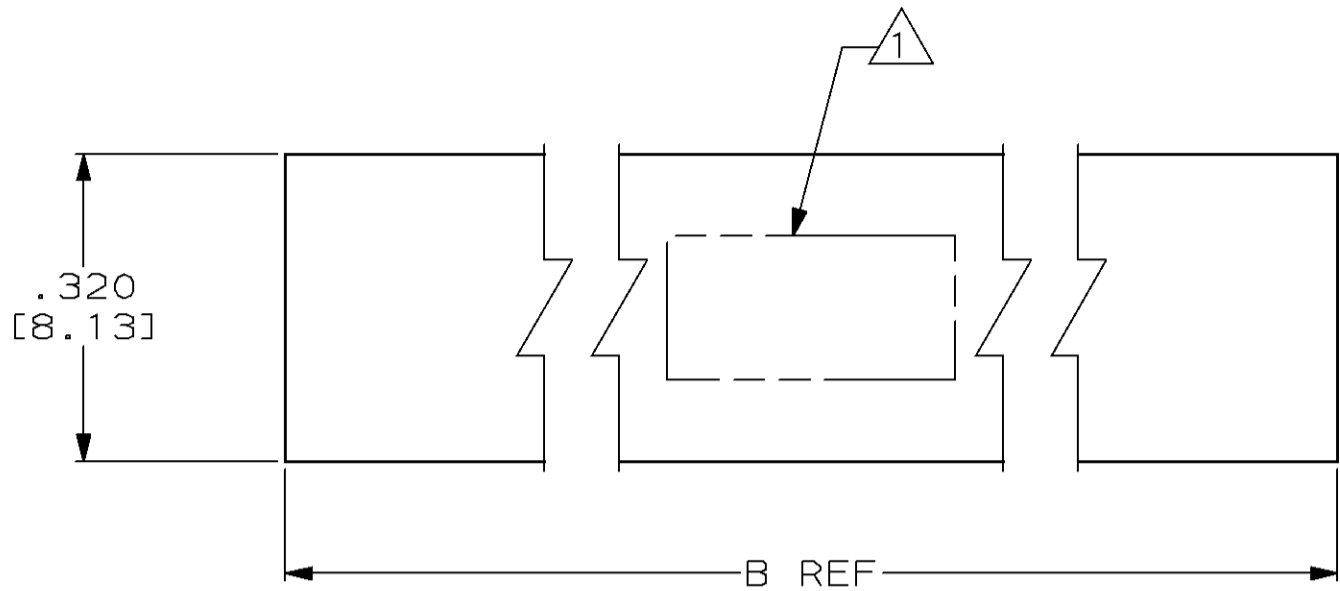
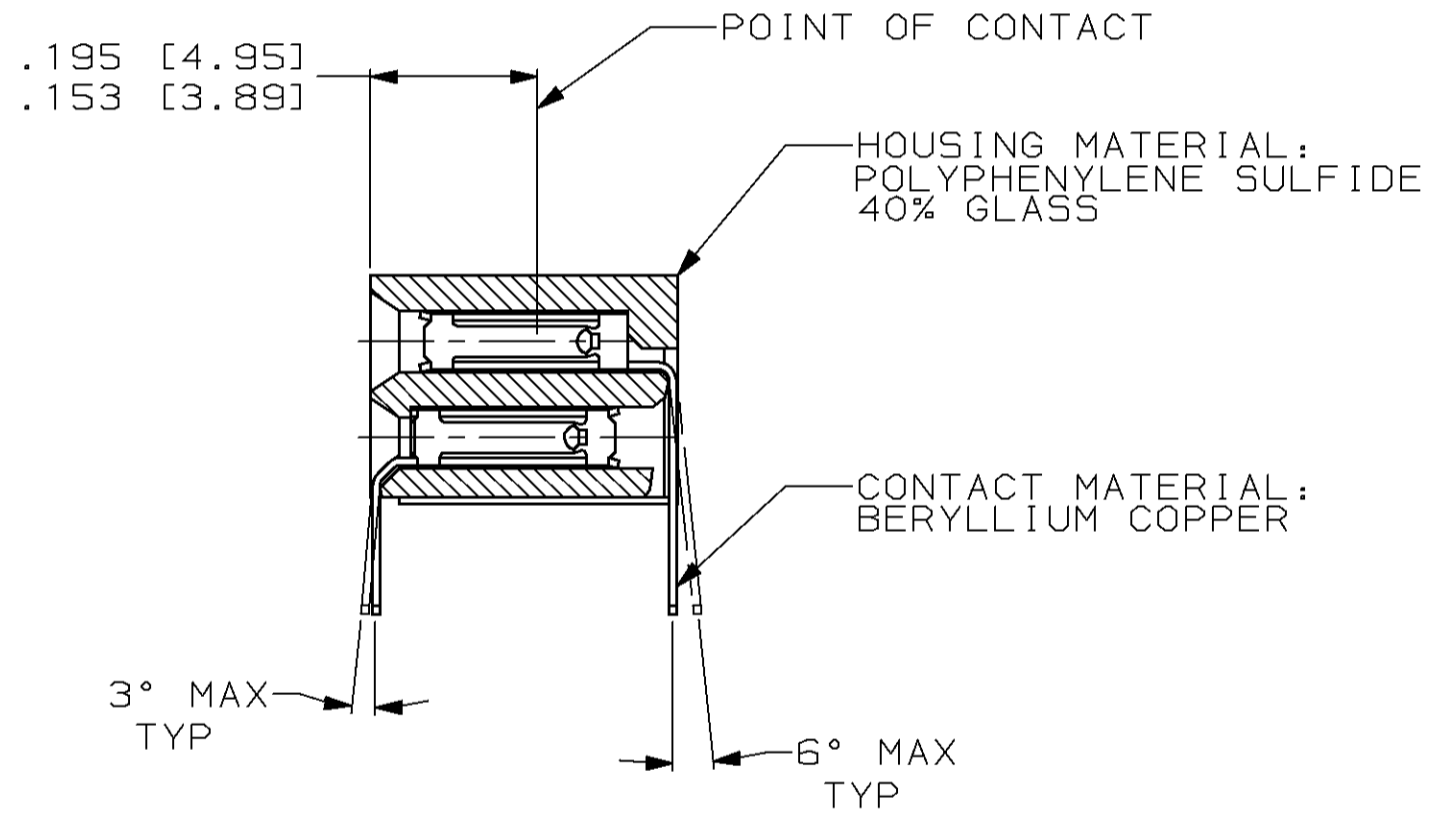
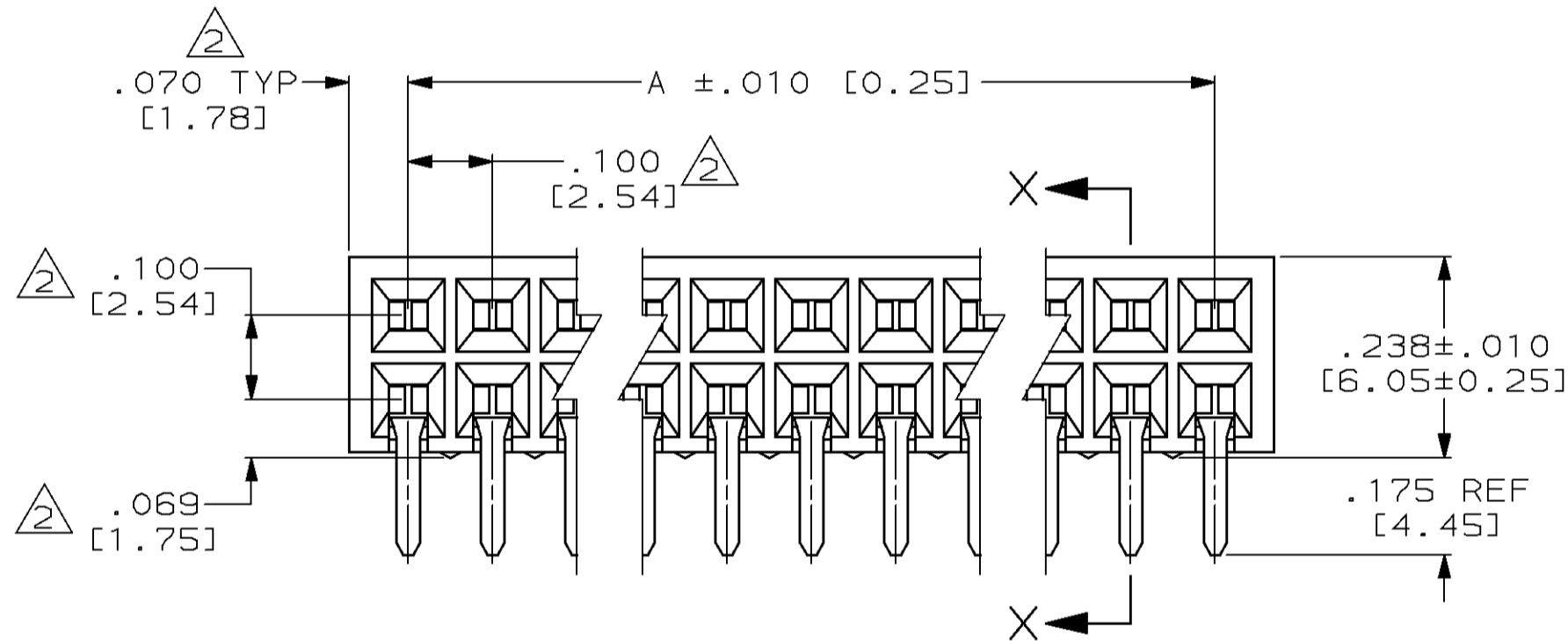


THIS DRAWING IS UNPUBLISHED. RELEASED FOR PUBLICATION
 © COPYRIGHT 19 BY AMP INCORPORATED. ALL RIGHTS RESERVED.

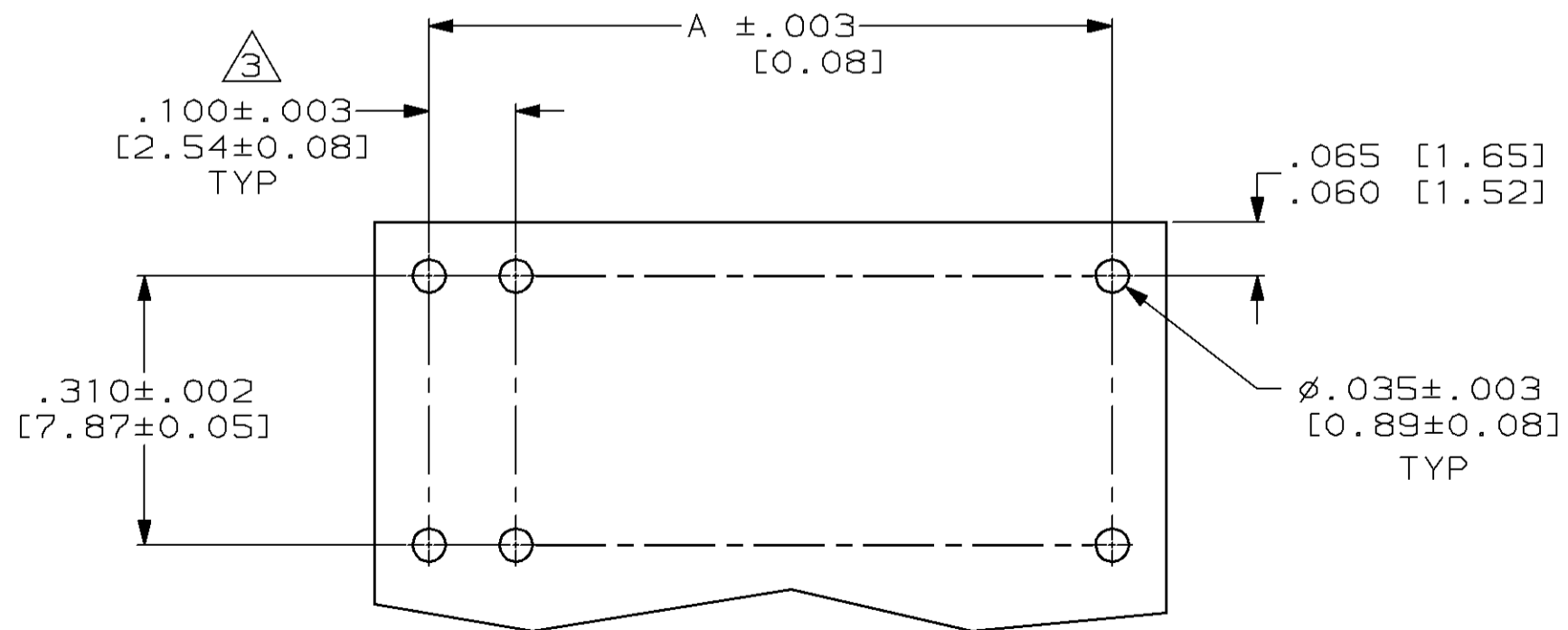
LOC		DIST		REVISIONS			
P	LTR	DESCRIPTION	DATE	DWN	APVD		
DF	ZO	D	REV PER 0600-6036-96	10-97	CT	GA	



- ① MARK AMP, PART NUMBER, DATE CODE AND THE WORD FRONT PER 115-1105 IN APPROXIMATE AREA.
- ② THESE DIMENSIONS PERTAIN TO CAVITY CENTERLINES ONLY, NOT TO CONTACT LOCATIONS.
- ③ TOLERANCE NON-CUMULATIVE.
- ④ GOLD FLASH OVER .000050 [0.00127] NICKEL ENTIRE CONTACT, .000030 [0.00076] GOLD ON CONTACT AREA.
- 5. ONE INSULATOR STRIP PACKAGED WITH EACH ASSEMBLY.
- 6. MARK "CSA" LOGO ON PART.



SECTION X-X



RECOMMENDED P.C. BOARD LAYOUT

DIM B	DIM A	NO OF POSN	PART NUMBER
4.440 [112.78]	4.300 [109.22]	88	533012-3
2.440 [61.98]	2.300 [58.42]	48	533012-2
OBSOLETE .500 [12.70]	.500 [12.70]	22	533012-1

THIS DRAWING IS A CONTROLLED DOCUMENT.		DWN T. ALEXANDER 5-21-96	AMP Incorporated Harrisburg, PA 17105-3608	
DIMENSIONS: INCHES [mm]	TOLERANCES UNLESS OTHERWISE SPECIFIED:	CHK G. ALTEMOSE 11-8-96	NAME HOUSING ASSEMBLY, MOD II, DBL ROW IN LINE, .100 x .100∅, SHORT POINT OF CONTACT	
MATERIAL SEE CALLOUT	FINISH ④	APVD G. ALTEMOSE 11-8-96	PRODUCT SPEC -	SIZE A2
		APPLICATION SPEC -	WEIGHT -	CAGE CODE 00779
CUSTOMER DRAWING		SCALE 5:1	DRAWING NO C-533012	SHEET 1 OF 1
			REV D	

533012

B

A

X-ON Electronics

Largest Supplier of Electrical and Electronic Components

Click to view similar products for [Headers & Wire Housings](#) category:

Click to view products by [TE Connectivity](#) manufacturer:

Other Similar products are found below :

[95000-104TRLF](#) [10135584-644402LF](#) [DF62W-EP2022PCA](#) [95000-106TRLF](#) [DF62W-2022SCA](#) [DF62W-EP2022PC](#) [2203348](#) [DF62W-2022SC](#) [1084018](#) [1029039](#) [1084017](#) [802-10-012-10-002000](#) [1112640](#) [1112639](#) [891-007-9SS-BST1T](#) [000-34000](#) [0008550134](#) [0009482033](#) [0009507031](#) [57102-F02-18ULF](#) [57102-S06-03LF](#) [57202-S52-04LF](#) [PCN6-15S-2.5E](#) [0039019024](#) [58102-G61-06LF](#) [582553-1](#) [0009485154](#) [0009508121](#) [0022285053](#) [0050291907](#) [018731A](#) [LY20-4P-DT1-P1E-BR](#) [02.125.8002.8](#) [60101931](#) [60598-1 \(Cut Strip\)](#) [M1625-3R/100](#) [61062-3](#) [61082-181009](#) [CSU011177004](#) [636-1427](#) [638009-1](#) [641938-9](#) [641991-4](#) [644168-1](#) [644827-2](#) [647662-1](#) [65039-019ELF](#) [65692-001LF](#) [65781-018](#) [65781-047](#)