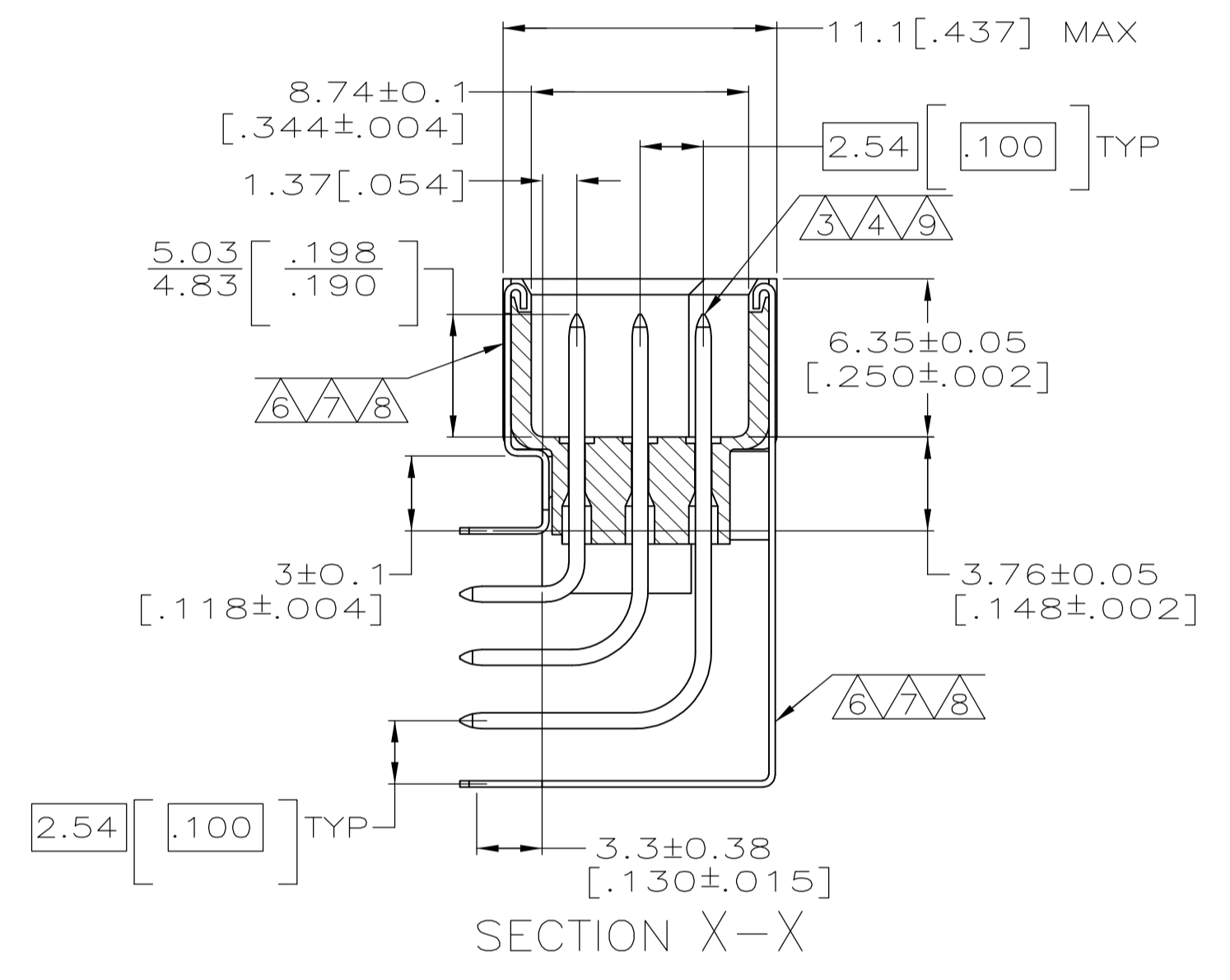
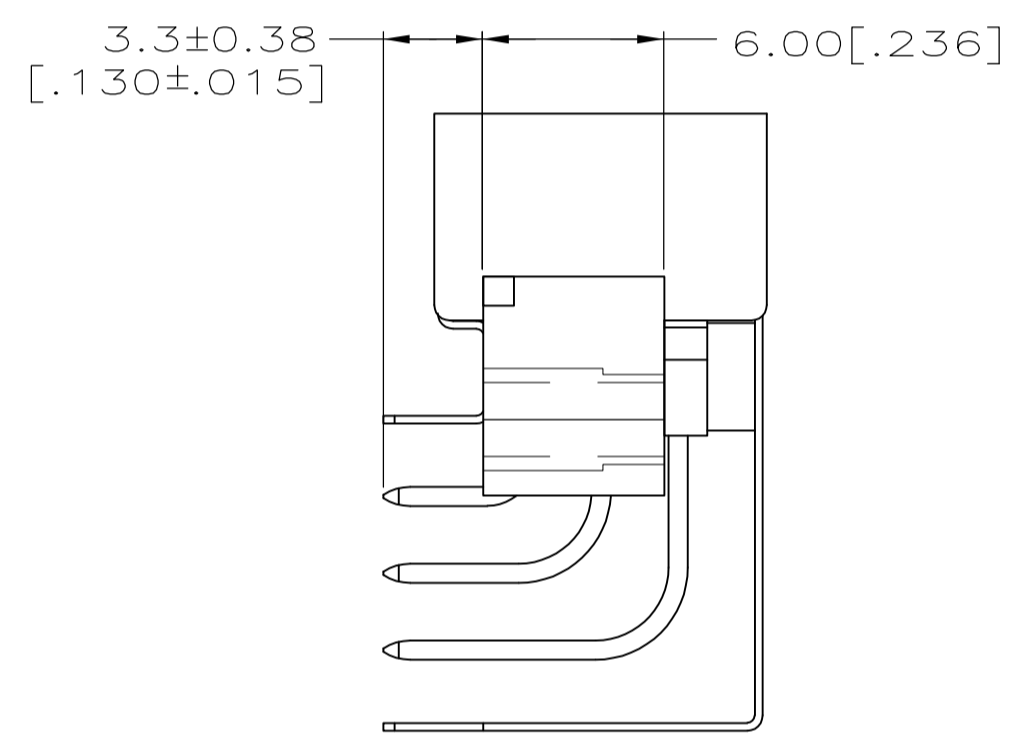
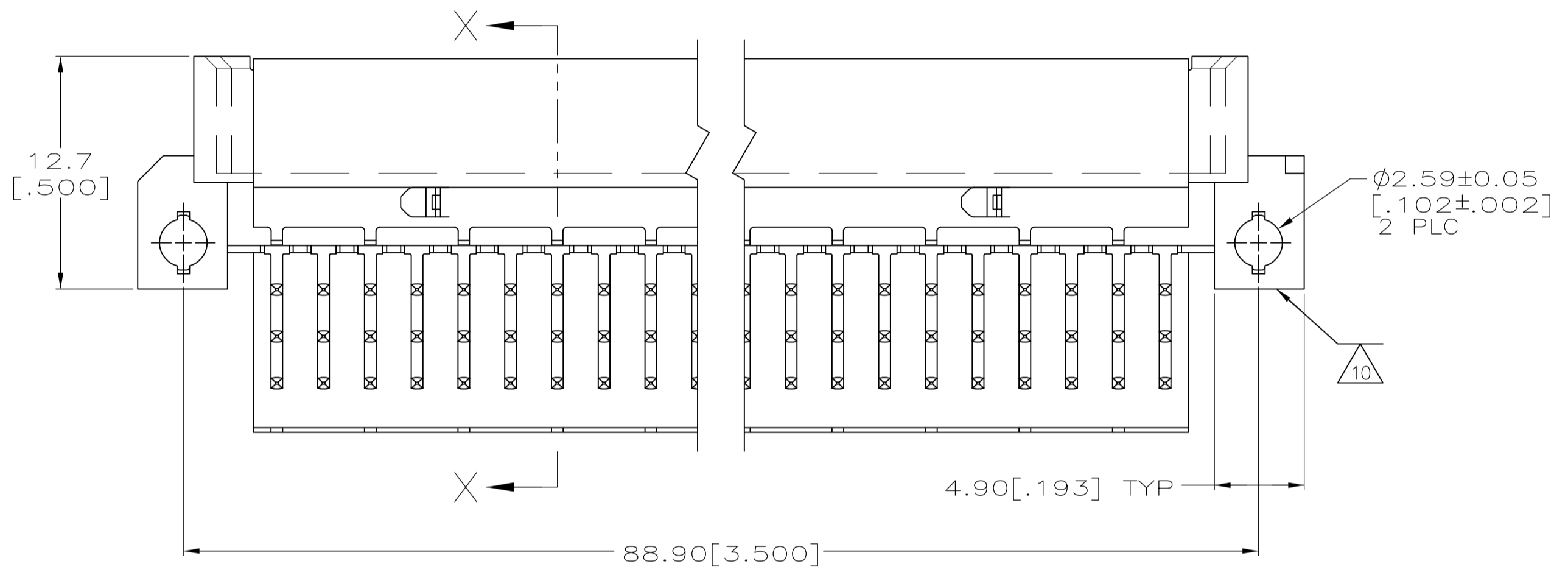
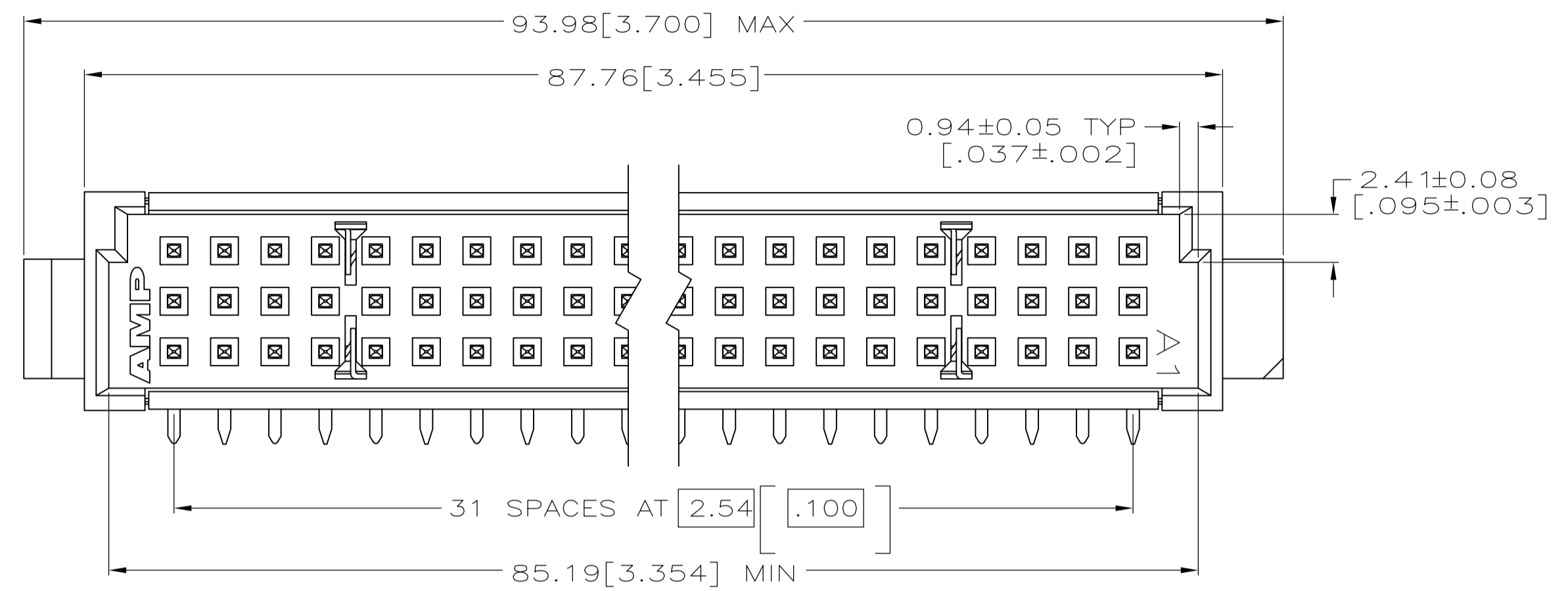
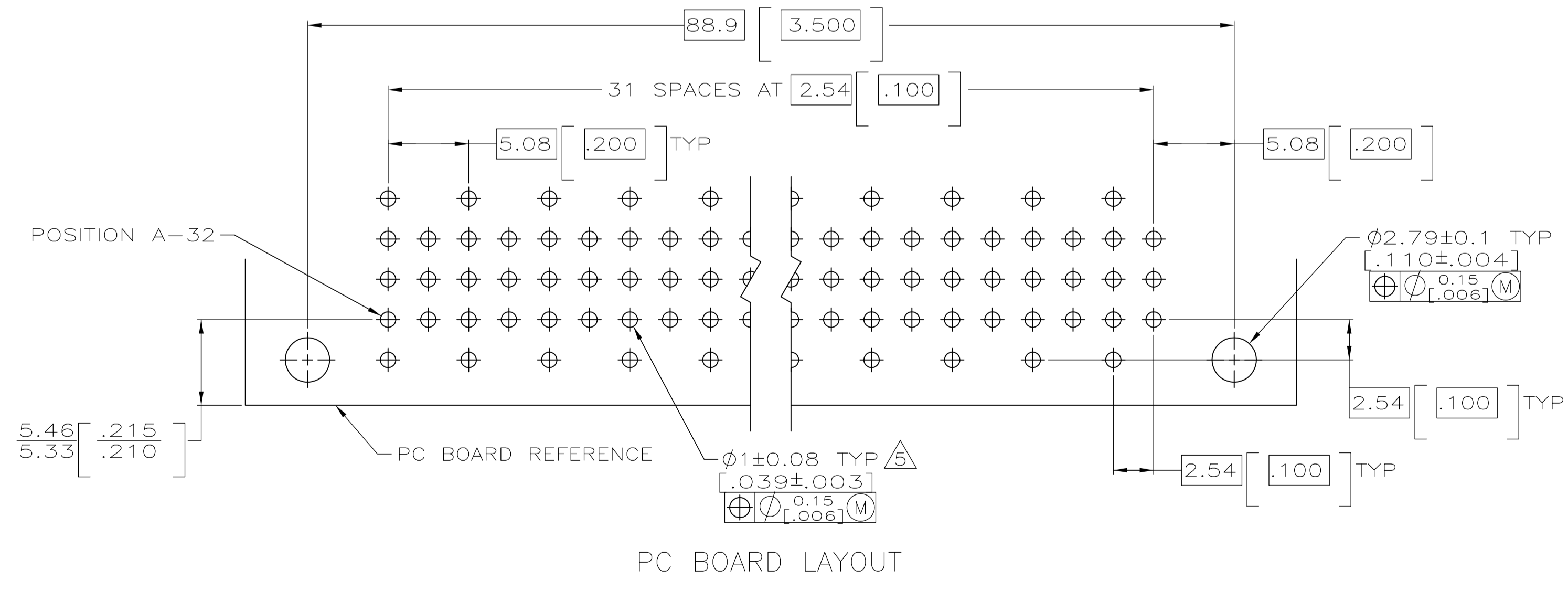


LOC		DIST		REVISIONS			
F	LTR	DESCRIPTION	DATE	DN	APVD		
G		REVISED PER ECO-07-007578	26APR07	DH	DB		



- 1 HOUSING MATERIAL: HIGH TEMPERATURE, GLASS-FILLED POLYMER
COLOR: GRAY OR WHITE
- 2 POST AND GROUND PLATE MATERIAL: BRASS.
- 3 POST FINISH: DIN 41612 CLASS 2 IN CONTACT AREA.
TIN-LEAD PLATE ON POSTS.
- 4 POST FINISH: DIN 41612 CLASS 3 IN CONTACT AREA.
TIN-LEAD PLATE ON POSTS.
- 5 RECOMMENDED HOLE SIZE FOR MANUAL APPLICATION OF
CONNECTOR ONTO PC BOARD.
- 6 GROUND PLATE FINISH: DIN 41612 CLASS 2 IN CONTACT AREA.
TIN-LEAD PLATE ON POSTS.
- 7 GROUND PLATE FINISH: DIN 41612 CLASS 3 IN CONTACT AREA.
TIN-LEAD PLATE ON POSTS.
- 8 GROUND PLATE FINISH: 0.00127[.000050] GOLD IN CONTACT AREA.
0.00127[.000050] NICKEL UNDERPLATE ALL OVER. TIN-LEAD PLATE ON POSTS.
- 9 POST FINISH: 0.00127[.000050] GOLD IN CONTACT AREA.
0.00127[.000050] NICKEL UNDERPLATE ALL OVER. TIN-LEAD PLATE ON POSTS.
- 10 MOLD REVISION DATE CODE MOLDED IN THIS AREA.
- 11 OBSOLETE PART NUMBER.



FINISH	ASSY PART NUMBER
4	536146-9
3	536146-5
8	536146-1

THIS DRAWING IS A CONTROLLED DOCUMENT.

DIMENSIONS: INCHES	TOLERANCES UNLESS OTHERWISE SPECIFIED:	DIN L. BRINER 2/24/92	tyco Electronics	Tyco Electronics Corporation Harrisburg, PA 17105-3608
0 PLC ± -	1 PLC ± -	CHK: D.C. RUBENDALL	NAME: -	PRODUCT SPEC: -
2 PLC ± -	3 PLC ± 0.13[.005]	APVD: -	NAME: -	APPLICATION SPEC: -
4 PLC ± -	ANGLES ± -	SIZE: A1	CAGE CODE: 00779	DRAWING NO: 536146
MATERIAL: HSG: △	FINISH: △△△	WEIGHT: -	SCALE: 4:1	SHEET: 1 of 1
POST: △	GROUND PLATE: △△△	CUSTOMER DRAWING	REV: G	

X-ON Electronics

Largest Supplier of Electrical and Electronic Components

Click to view similar products for [DIN 41612 Connectors](#) category:

Click to view products by [TE Connectivity](#) manufacturer:

Other Similar products are found below :

[09231126901](#) [PCN10F-24P-2.54DS\(72\)](#) [004.767](#) [02221602702](#) [024069](#) [602427301412000](#) [013275](#) [691327-1](#) [74670-0732](#) [74680-0340](#)
[75880-0015](#) [76453-0014](#) [86093159ALF](#) [923454](#) [QLC260R](#) [120X10099X](#) [120X10019X](#) [120X10089X](#) [120X10129X](#) [121A10039X](#)
[121A10309X](#) [122A10019X](#) [122A10029X](#) [122A10249X](#) [122A10669X](#) [122A11089X](#) [122A13089X](#) [121B10409X](#) [122A10089X](#)
[122A10129X](#) [122A10349X](#) [122A13359X](#) [1377391-4](#) [DIN-048CPC-SR1-MH](#) [1393583-2](#) [1393726-7](#) [140X10059X](#) [140X10129X](#) [143-1913-](#)
[000](#) [143-1908-000](#) [1484472-1](#) [173052](#) [2110070-1](#) [2110070-2](#) [CBC20T00-008FDS5-0-1-002VR](#) [983-0SE12-12P6](#) [17041102202](#) [172699-](#)
[5036](#) [173051](#) [20](#) [8457096](#) [010](#) [025](#)