



Cat.6A Field Terminable Plug

Part no.: MP0040

Technical Features

Field terminable Cat.6A Rj45 Plug

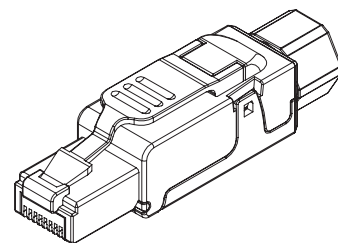
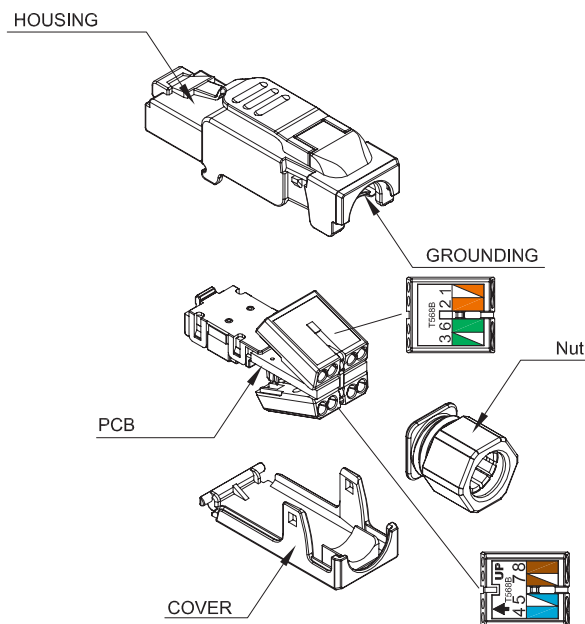
According to ISO/IEC11801, TIA568-C.2

IDC wire gauge: 23-26 AWG

Zinc-alloy fully shielded

Metal housing

Technical Drawings



MP0040



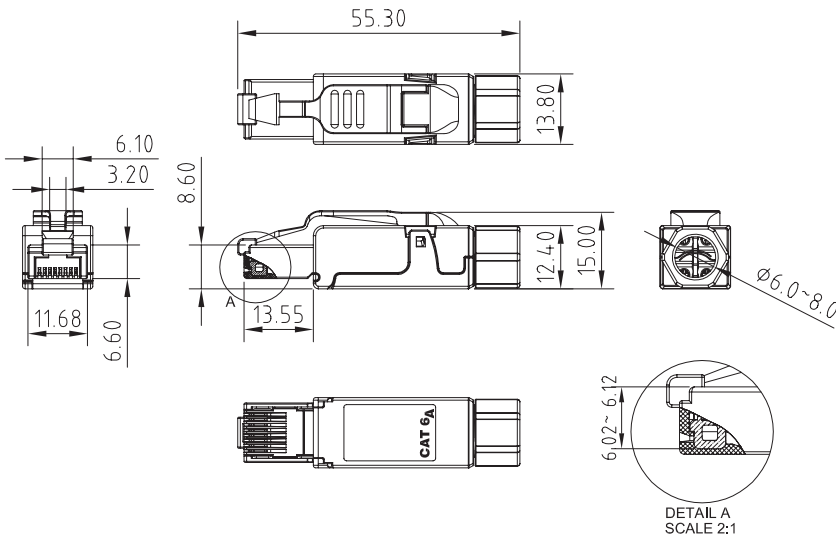
4 052792 040999
Made in China

www.logilink.com



RoHS
compliant

* The specifications and pictures are subject to change without notice.
*All trade names referenced are the registered trademark of their respective owners.



TRANSMISSION PERFORMANCE
 Meet all requirements specified in Patch Cord requirement of
 ISO/IEC 11801, Category 6A
 ANSI/TIA-568-C.2, Category 6A

ELECTRICAL
 Electrical Insulation Resistance : 500MΩ min. @100V d.c
 Dielectric Withstanding Voltage : 1000V D.C or A.C Peak,
 Contact to Contact; 1500V D.C or A.C Peak,
 Contact to Shield @ 60Hz for 1 Minute.

MECHANICAL
 IDC Wire Gauge : 23 ~ 26 AWG

PHYSICAL
 Housing : Zinc-alloy fully shielded
 Contact pin : Phosphor Bronze Alloy Plated With
 50 micro-inch of Gold
 IDC : Phosphor Bronze Alloy With 100
 micro-inch 100% Sn Alloy

Package Contents

1 x Cat.6A Field Terminable Plug

Packaging Informations

Packing Dimension	101 x 178mm
Packing Weight	0.024kg
Carton Dimension	515 x 400 x 230mm
Carton Q'ty	280pcs
Carton Weight	8.6kg



MP0040



4 052792 040999

Made in China

www.logilink.com



RoHS
compliant

* The specifications and pictures are subject to change without notice.
 *All trade names referenced are the registered trademark of their respective owners.

X-ON Electronics

Largest Supplier of Electrical and Electronic Components

Click to view similar products for [Modular Connectors / Ethernet Connectors](#) category:

Click to view products by [Logilink](#) manufacturer:

Other Similar products are found below :

[RJE231881317T](#) [MP1010RX-1000](#) [MP44RX-1000](#) [GAX-3-66](#) [GAX-8-62](#) [93606-0253](#) [GD-A-44](#) [GDCX-PA-66-50](#) [GDCX-PN-64](#) [GDCX-PN-66](#) [GDCX-PN-66-50](#) [GDLX-A-66](#) [GDLX-A-88](#) [GDLX-N-66](#) [GDLX-S-88K](#) [GDTX-S-88-50](#) [GDX-PA-1010](#) [GLX-N-1010M-BLK](#) [GLX-N-44M](#) [GLX-S-88M-BLK](#) [GMX-N-1010](#) [GMX-S-1010](#) [GMX-S-66](#) [GMX-SMT2-N-1010](#) [GMX-SMT2-N-64-50](#) [GMX-SMT2-S6-88](#) [GMX-SMT4-N-88](#) [GPX-2-64](#) [GRT1-BT1-5](#) [GSGX-N-2-88](#) [GSX-NS2-88-3.05](#) [GSX-NS2-88-3.05-50](#) [GSX-NS-88-3.05-30](#) [GSX-NS-88-3.05-50](#) [GSX-NS-88-3.68](#) [1-1775629-2](#) [GWLX-S-88-GR](#) [GWLX-S9-88-YG](#) [1300500326](#) [1300500227](#) [1300530003](#) [1300570002](#) [1324640-4](#) [RJ11FTVC2G](#) [RJ11FTVC2N](#) [RJFTVX2SA1G](#) [132764-001](#) [1400000](#) [1413176](#) [1413235](#)