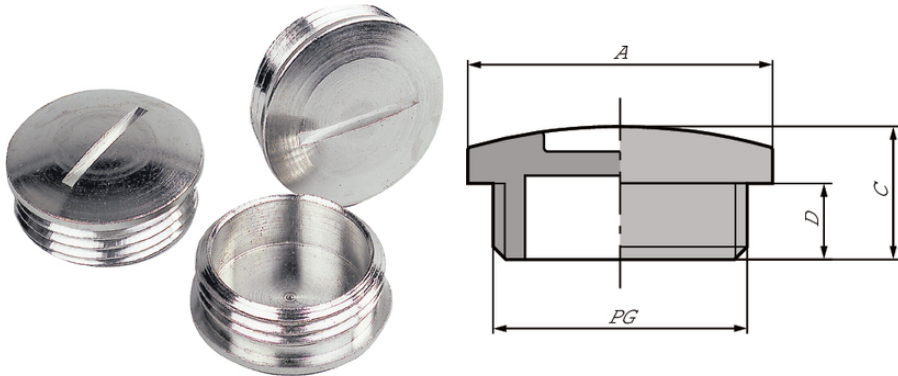


## SKINDICHT® BL

SKINDICHT® BL, brass blind plug with PG connection thread, assembling with screwdriver



Robust

### Benefits

For closing pre-threaded holes  
Assembling with screwdriver

### Application range

Machine and equipment manufacturing  
Electric motor manufacturing

### Product Make-up

PG connection thread

### Technical Data

Classification ETIM 5:

ETIM 5.0 Class-ID: EC000032

ETIM 5.0 Class-Description: Plug for cable screw gland

Classification ETIM 6:

ETIM 6.0 Class-ID: EC000032

ETIM 6.0 Class-Description: Plug for cable screw gland

Material:

Body: nickel-plated brass

O-ring: NBR

Protection rating:

IP 54

IP 68 (with O-Ring)

Temperature range:

With O-ring: -30 °C to +100 °C

Without O-ring: -60 °C to +200 °C

**SKINDICHT® BL****Note**

Photographs and graphics are not to scale and do not represent detailed images of the respective products.  
Prices are net prices without VAT and surcharges. Sale to business customers only.

Article number	Article designation / size
SKINDICHT® BL	
52002680	PG 7
52003390	PG 9
52003400	PG 11
52003410	PG 13,5
52003420	PG 16
52003430	PG 21
52003440	PG 29
52003450	PG 36
52003460	PG 42
52002790	PG 48
SKINDICHT® BL with O-ring	
54001610	PG 7
54000071	PG 9
54000040	PG 11
54001630	PG 13,5
54001640	PG 16
54001660	PG 21
54001620	PG 29
54001650	PG 36
54001670	PG 42
54001680	PG 48

Last Update (14.02.2018)  
 ©2018 Lapp Group - Technical changes reserved  
 Product Management [www.lappkabel.de](http://www.lappkabel.de)  
 You can find the current technical data in the corresponding data sheet.  
 PN 0456 / 02\_03.16

## X-ON Electronics

Largest Supplier of Electrical and Electronic Components

*Click to view similar products for [Cable Glands, Strain Reliefs & Cord Grips](#) category:*

*Click to view products by [Lapp Kabel](#) manufacturer:*

Other Similar products are found below :

[120-116-1-1-20BP](#) [120-116-1-1-32BE](#) [120-117-40](#) [120-123-14](#) [120-123-16](#) [120-125-16](#) [120-125-16R](#) [120-125-16Y](#) [120-125-24Y](#) [120-125-28](#) [120-125-28R](#) [120-125-32](#) [120-125-32R](#) [120-125-40](#) [120-125-56](#) [120-126-14](#) [120-126-16](#) [120-126-20](#) [120-126-20BL](#) [120-126-20R](#) [120-126-24](#) [120-126-28](#) [120-126-32](#) [120-126-40BL](#) [120-116-1-1-06BP-509](#) [120-116-1-1-06CP](#) [120-116-1-1-16BE](#) [120-116-1-1-28BP](#) [120-123-20](#) [120-123-24](#) [120-123-32](#) [120-125-20](#) [120-125-20Y](#) [120-125-24](#) [120-125-24R](#) [120-125-28Y](#) [120-126-14BL](#) [120-126-16R](#) [120-126-16Y](#) [120-126-24BL](#) [120-126-28BL](#) [120-126-32BL](#) [120-126-40](#) [120-126-48](#) [120-126-48BL](#) [1300980012](#) [1300980105](#) [DBZM-6828](#) [1498](#) [15190-103 R2](#)