

6 5 4 3 2 1

F

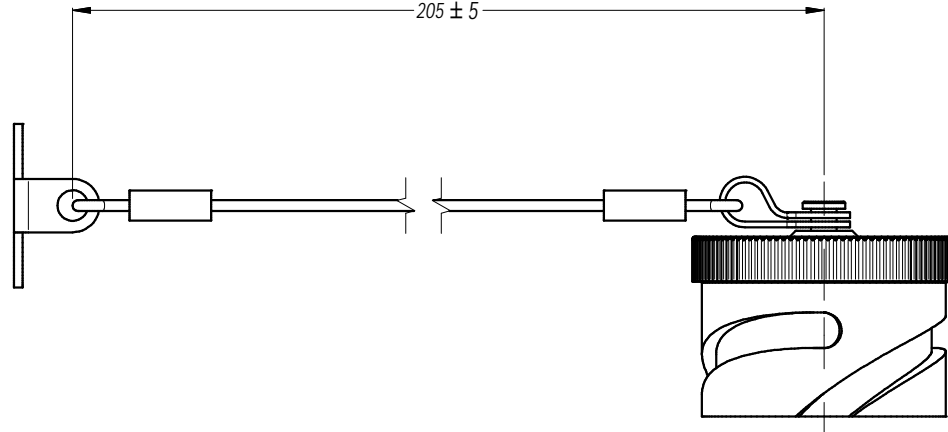
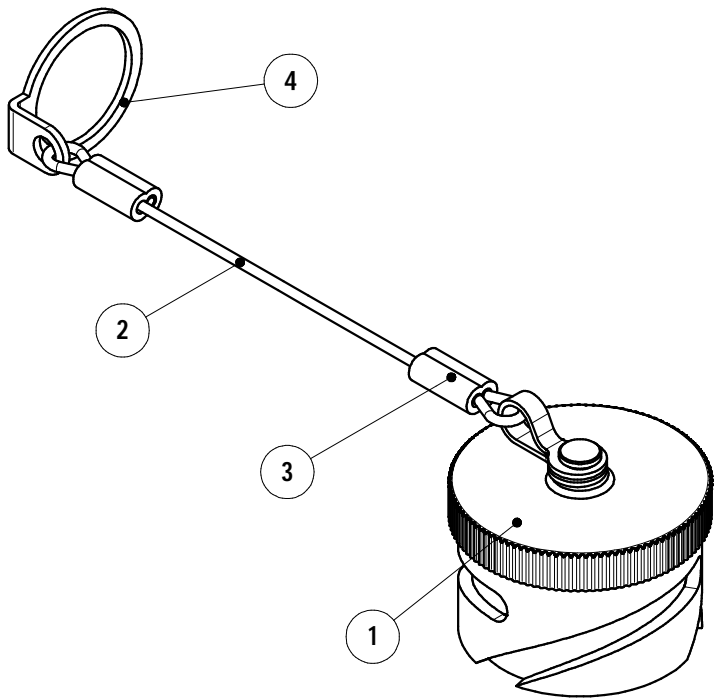
E

D

C

B

A



P/N	COMPONENTS
MP-25042-13L	MP-4106-13S
MP-25042-19L	MP-4106-19S
MP-25042-25L	MP-4106-25S
MP-25042-37L	MP-4106-37S
MP-25042-54L	MP-4106-54S
MP-25042-85L	MP-4106-85S
MP-25042-150L	MP-4106-150S

4	PG RING	1
3	CRIMP SWAGE	2
2	LANYARD PVC COATED OD 1.5mm	1
1	DUST CAP FOR PLUG MP-4106	1
ITEM	DESCRIPTION	QTY
Parts List		

UNLESS OTHERWISE SPECIFIED TOLERANCE TO BE:		THIS DOCUMENT IS THE PROPERTY OF AMPHENOL AUSTRALIA PTY. LTD. NO PART THEREOF MAY BE REPRODUCED AND USED WITHOUT THE PRIOR WRITTEN CONSENT OF THE OWNER			
LINEAR		ANGULAR		CAD FILE: 50250020432110	DRN: A.O
X ± N/A	X' ± 1	X' ± 30'	X' ± 15'	DATE: 08/04/08	DATE: 08/04/08
X.X ± 2	X.X' ± 30'	X.XX ± 05	X.XX' ± 15'	DATE: 08/04/08	DATE: 08/04/08
BREAK ALL SHARP EDGES AND REMOVE ALL BURRS		MATL: ----	CKD: B.Z	APP'D: P.M	DATE: 08/04/08
DO NOT SCALE		FINISH: ----	SCALE: 1:1	PART No: MP-25042-**L	SIZE: A4
DIMENSIONS IN MILLIMETRES		THIRD ANGLE PROJECTION			

0	FIRST ISSUE	08/04/08	A.O	8740
REV	DESCRIPTION	DATE	BY	CHG/No
REVISION HISTORY				
TITLE: DUST CAP FOR MP-4106		<b>Amphenol</b> <small>Amphenol Australia Pty Ltd, 2 Fiveways Blvd, Keysborough, Vic3173</small>		
DRAWING NO. 50250020-432-1				

6 5 4 3 2 1

F

E

D

C

B

A

## X-ON Electronics

Largest Supplier of Electrical and Electronic Components

*Click to view similar products for [Unspecified Connectors](#) category:*

*Click to view products by [Amphenol](#) manufacturer:*

Other Similar products are found below :

[1-21107-1](#) [RAD-OUT-8D-REL](#) [RF-17S1N8A80DU](#) [2-21053-5](#) [PSC-28-1](#) [38111](#) [403000A10M050](#) [1-1589688-1](#) [QUINT-PS/1AC/48DC/10](#)  
[99 9113 02 05](#) [578302](#) [578286](#) [130623](#) [186316](#) [153253](#) [186328](#) [153276](#) [153341](#) [153322](#) [153354](#) [193951](#) [130642](#) [1713941](#) [HC-DD72-I-](#)  
[CT-F](#) [VC-AR1/2M-S88-SET](#) [RC-5AS2000](#) [RC-Z2068](#) [VC-TR5/6M](#) [RAD-900-CONF-RF1](#) [RAD-CON-SMA-N-SS](#) [RAD-ISM-900-ANT-](#)  
[OMNI-0-6](#) [RAD-PIG-EF316-N-RSMA](#) [RIF-0-RPT-12DC/21](#) [RIF-1-BPT/2X21](#) [RIF-1-RPT-LV-120AC/2X21AU](#) [RIF-RH-1](#) [SIM-AMSC1](#)  
[PV-FT-C2F-HSG](#) [HC-EVO-B06-HHFS-2B-PL-BK](#) [99 0210 00 04](#) [801377](#) [803579](#) [710-00007](#) [122.005-6](#) [122.012-10](#) [122.018-10](#) [122.038-6](#)  
[125.038-8](#) [135.016](#) [136.0804](#)