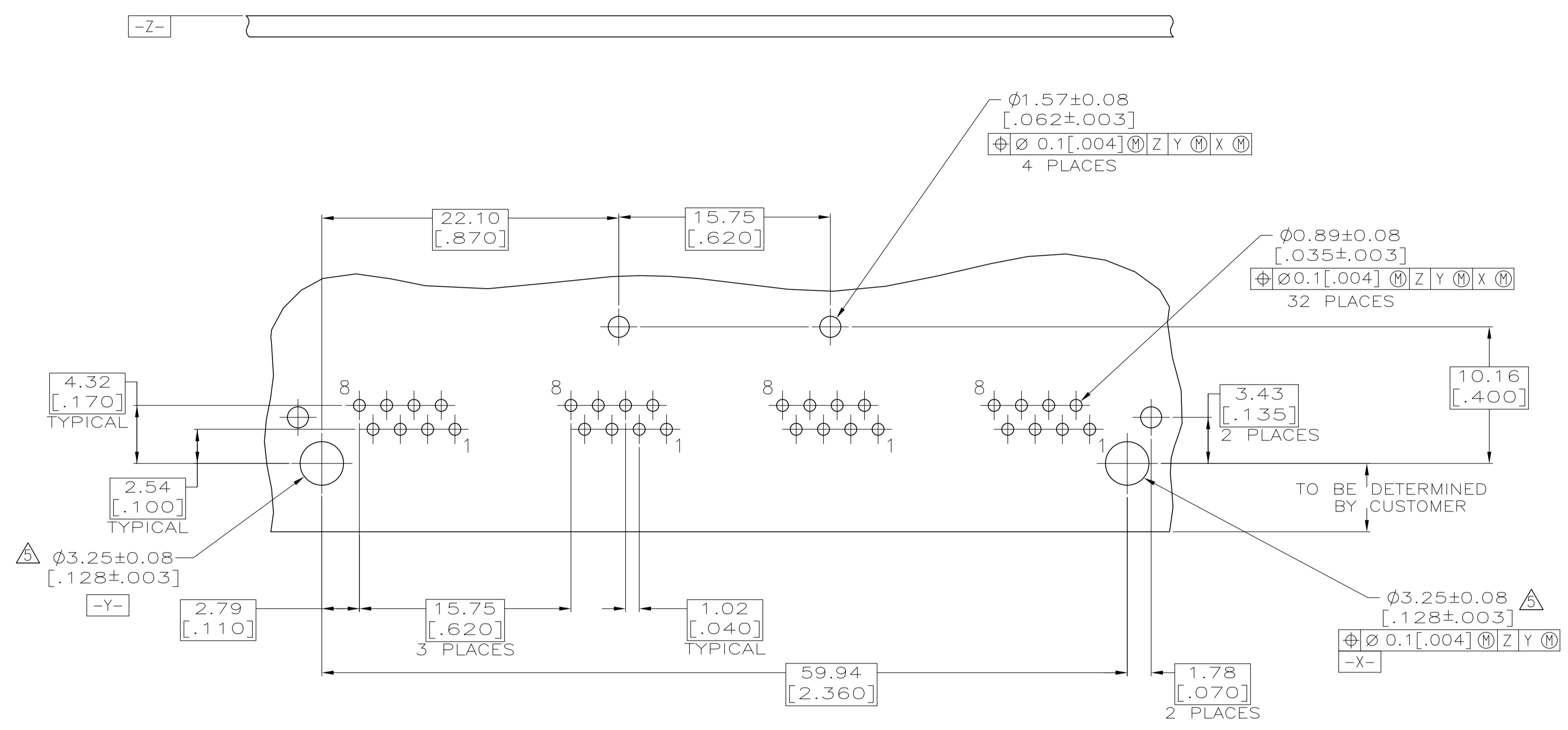
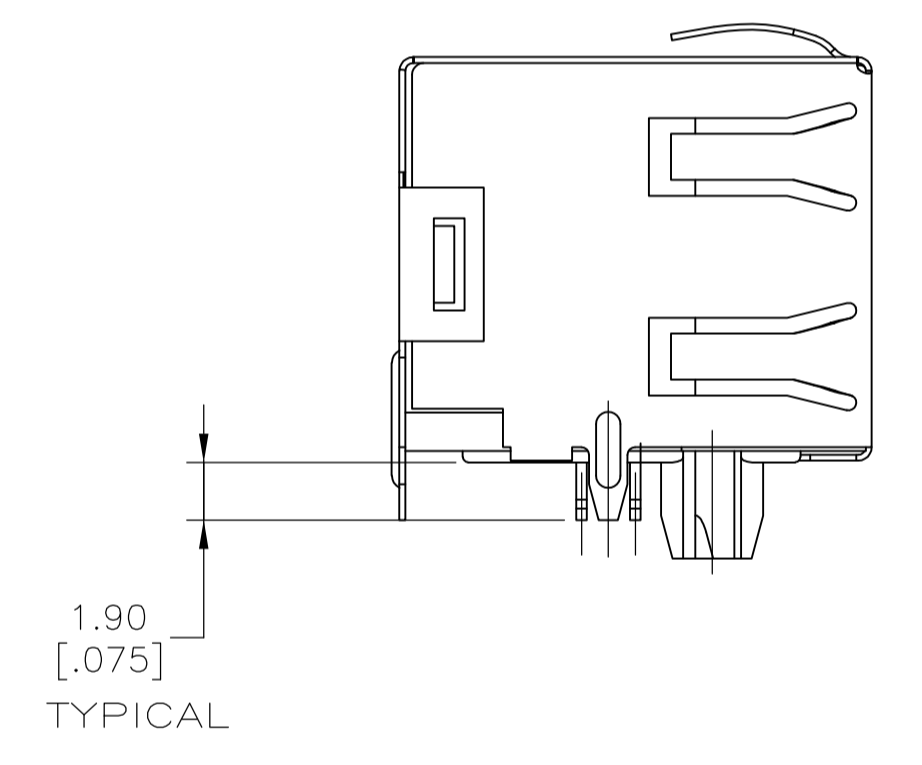
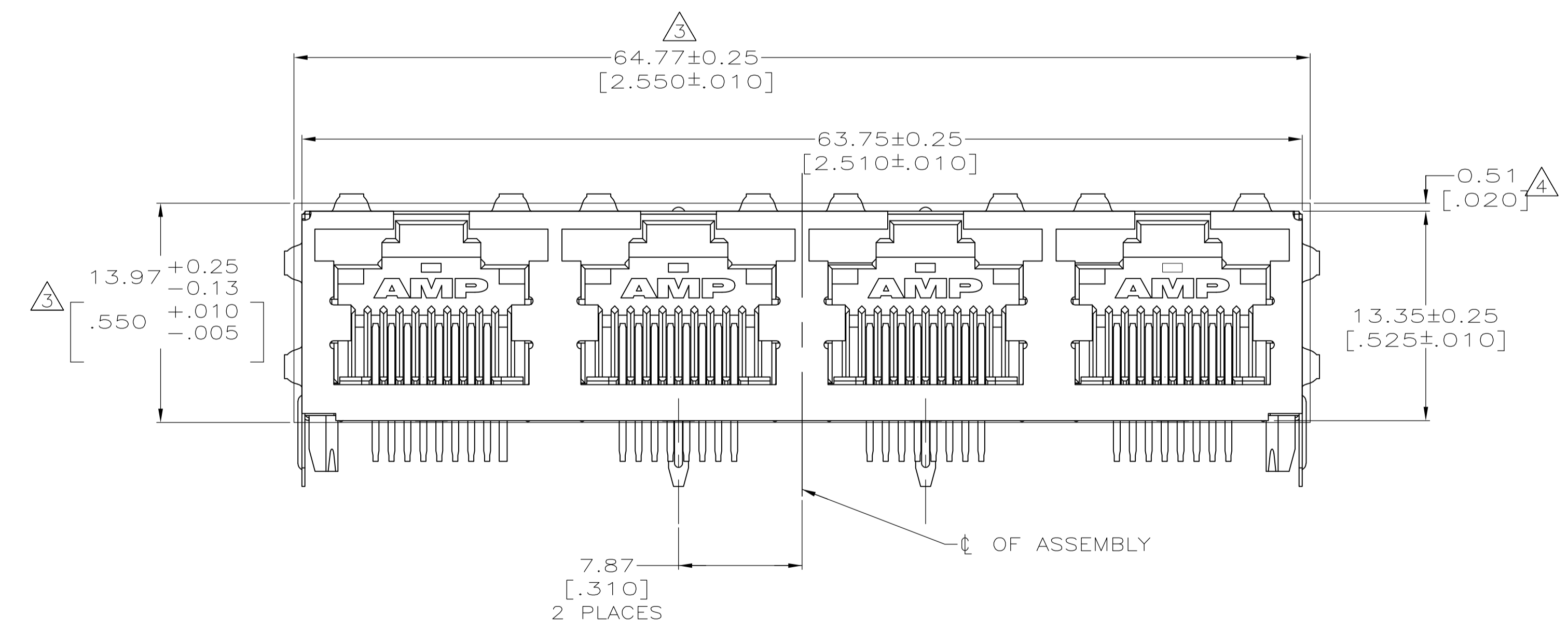
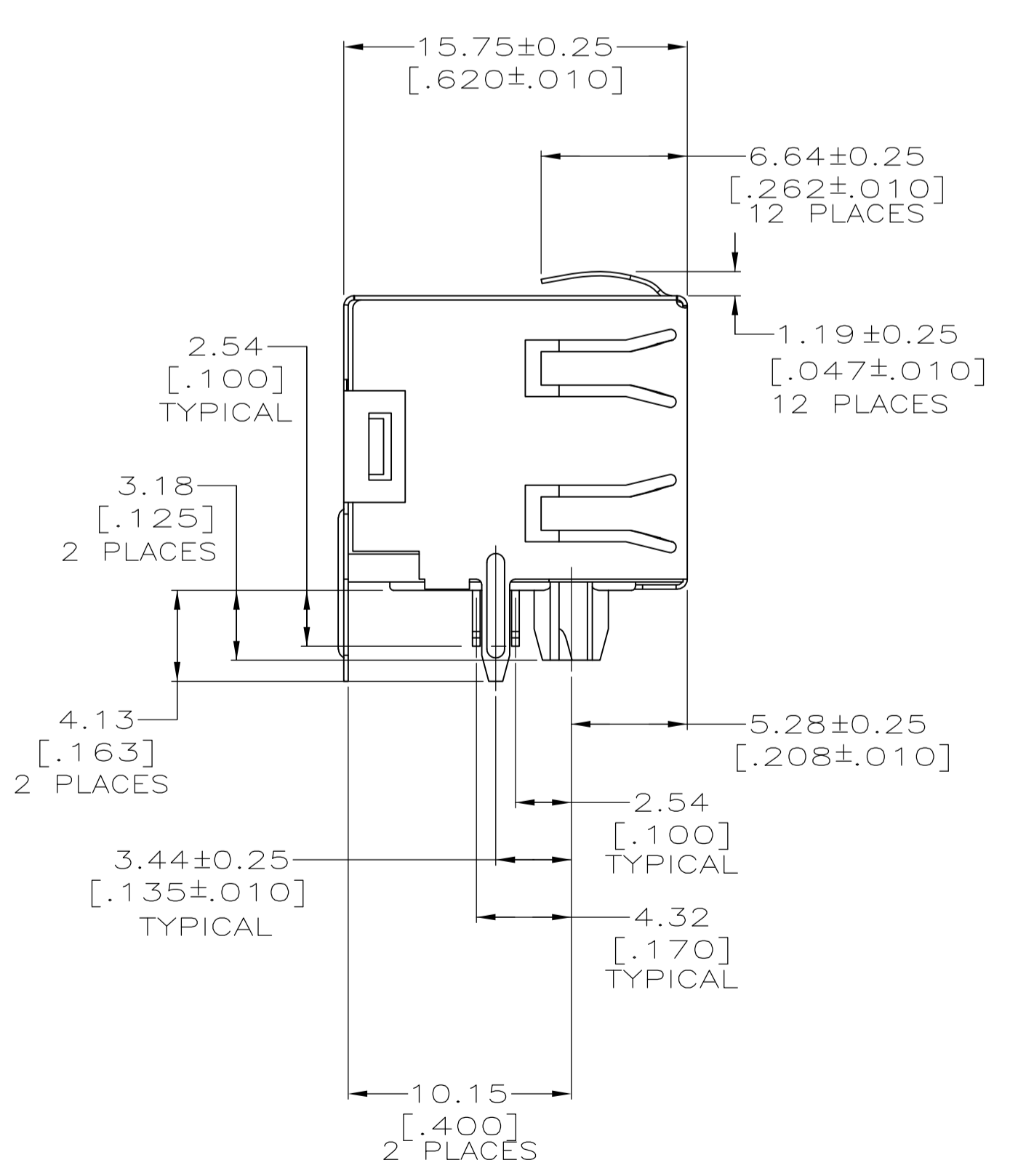


LOC	DIST	REVISIONS				
AA	22	REV	PER	DATE	BY	CHK
		B1	REV PER ECO-14-011533	29JUL2014	CW	SH
		B3	PER ECO-15-016408	28AUG15	AD	SH



SUGGESTED PRINTED CIRCUIT BOARD LAYOUT  
(COMPONENT SIDE)



ONLY FOR 5406544-3

- △ MATERIAL:  
HOUSING - HIGH TEMPERATURE THERMOPLASTIC, BLACK, UL94V-0.  
TERMINALS - .36[.014] THICK PHOS BRONZE PLATED WITH 3.81 $\mu\text{m}$ [.000150] MINIMUM THICK MATTE TIN IN SOLDER AREA. 1.27 $\mu\text{m}$  [.000050] MINIMUM GOLD IN LOCALIZED PLATE AREA. ENTIRE TERMINAL PLATED WITH 1.27 $\mu\text{m}$  [.000050] MINIMUM THICK NICKEL.  
SHIELD - .196[.0077] THICK COPPER ZINC ALLOY PREPLATED WITH 1.27 $\mu\text{m}$  [.0000500] MIN NICKEL WITH 2.03  $\mu\text{m}$  [.000080] -3.81  $\mu\text{m}$  [.000150] POST DIP TION ON PCB GROUND TABS.
- 2. JACK CAVITY CONFORMS TO FCC RULES AND REGULATIONS PART 68, SUBPART F.
- △ SUGGESTED PANEL OPENING DIMENSIONS.
- △ SUGGESTED CLEARANCE BETWEEN TOP OF CONNECTOR AND TOP PANEL OPENING.
- △ PLEASE ENSURE THE HOLE IS FULL CIRCLE SHAPE
- △ CAPABLE WITH LEAD FREE IR-REFLOW SOLDERING PROCESS.

△	TRAY	5406544-3
	T&R	5406544-2
△	TRAY	5406544-1
	PACKAGE	PART NUMBER

THIS DRAWING IS A CONTROLLED DOCUMENT.		DIN	J. ALCORTA - 16JUN2005	TE Connectivity	
DIMENSIONS: mm [INCHES]		CHK	J. WESTMAN 16JUN2005	NAME	
TOLERANCES UNLESS OTHERWISE SPECIFIED:		APVD	S. FLICKINGER 16JUN2005	INVERTED MOD JACK ASSEMBLY, 1x4, SHIELDED, PANEL GROUND	
0. PLC ± -		PRODUCT SPEC		108-1163-4	
1. PLC ± -		APPLICATION SPEC		114-2154	
2. PLC ± 0.25[.01]		SIZE		A1	
3. PLC ± 0.13[.005]		CAGE CODE		00779	
4. PLC ± -		DRAWING NO		5406544	
ANGLES ± -		WEIGHT		-	
MATERIAL △		FINISH -		CUSTOMER DRAWING	
		SCALE		4:1	
		SHEET		1 OF 1	
		REV		B3	

## X-ON Electronics

Largest Supplier of Electrical and Electronic Components

*Click to view similar products for [Modular Connectors / Ethernet Connectors](#) category:*

*Click to view products by [TE Connectivity](#) manufacturer:*

Other Similar products are found below :

[RJE231881317T](#) [MP1010RX-1000](#) [MP44RX-1000](#) [GAX-3-66](#) [GAX-8-62](#) [93606-0253](#) [GD-A-44](#) [GDCX-PA-66-50](#) [GDCX-PN-64](#) [GDCX-PN-66](#) [GDCX-PN-66-50](#) [GDLX-A-66](#) [GDLX-A-88](#) [GDLX-N-66](#) [GDLX-S-88K](#) [GDTX-S-88-50](#) [GDX-PA-1010](#) [GLX-N-1010M-BLK](#) [GLX-N-44M](#) [GLX-S-88M-BLK](#) [GMX-N-1010](#) [GMX-S-1010](#) [GMX-S-66](#) [GMX-SMT2-N-1010](#) [GMX-SMT2-N-64-50](#) [GMX-SMT2-S6-88](#) [GMX-SMT4-N-88](#) [GPX-2-64](#) [GRT1-BT1-5](#) [GSGX-N-2-88](#) [GSX-NS2-88-3.05](#) [GSX-NS2-88-3.05-50](#) [GSX-NS-88-3.05-30](#) [GSX-NS-88-3.05-50](#) [GSX-NS-88-3.68](#) [1-1775629-2](#) [GWLX-S-88-GR](#) [GWLX-S9-88-YG](#) [1300500326](#) [1300500227](#) [1300530003](#) [1300570002](#) [1324640-4](#) [RJ11FTVC2G](#) [RJ11FTVC2N](#) [RJFTVX2SA1G](#) [132764-001](#) [1400000](#) [1413176](#) [1413235](#)