

DYNAMIC SPEAKER

Customer	
Customer P/O	
BeStar Model Name	BMS-4011
Product No.	1327
Issue No.	BS/TES01.025A
Issue Date	01/11/12

Approval:

- 1.Characteristic
- 2.Dimension
- 3.Environmental Test
- 4.Appearance
- 5.Frequency Response
- 6.Packing



BESTAR ELECTRONICS INDUSTRY CO.,LTD
TianAn Industry Park4/F,Site B ChangZhou New District
Tel:86-519-5103228
Fax:86-519-5131010
E-Mail:wu@be-star.com
Http:www.be-star.com

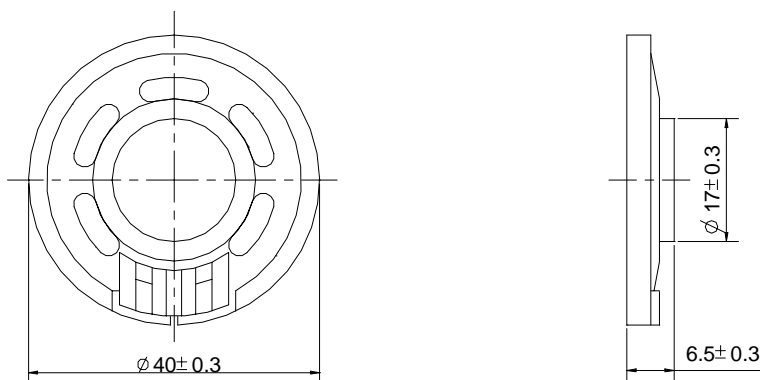
BMS-4011

1. Characteristic


Electrical and Mechanical Characteristics

Type	BMS4011-08	BMS4011-16	BMS4011-32
Rated Impedance(ohm)	8± 15%	16± 15%	32± 15%
Rated Power(W)	0.15		
max Power(W)	0.3		
Resonant Frequency(Hz)	450± 20%		
Rated Freq.Range(Hz)	f0 ~3500		
Sound Pressure Level(dB)	82± 3		
Magnet(g)	0.6		
operating Temperature(°C)	-10-40		

2.Dimension



This print and information there in are proprietary to Bestar Electronics Industry Co., Ltd. and shall not be used in whole or in part without its written content.

DIS.		DATE		Page:1 of 3	BMS-4011
CHEC.		DATE		3rd angle projection	
APPR.		DATE			Speaker
 BESTAR ELECTRONICS INDUSTRY CO.,LTD TianAn Industry Park 4/F,Site B ChangZhou New District E-Mail:bestarco@ pub.cz.jsinfo.net Http:www.be-star.com				DRG NO BS/TES01.025A	

This print and information there in are proprietary to Bestar Electronics Industry Co., Ltd. and shall not be used in whole or in part without its written content

BMS-4011

3.Environmental Test

3.1 Load Test

Power input 0.15W,pink noise
Duration 24hrs

3.2 Heat Test

Temperature $+40\pm 2^{\circ}\text{C}$
Duration 16hrs

3.3 Cold Test

Temperature $-10\pm 2^{\circ}\text{C}$
Duration 2hrs

3.4 Moisture Test

Temperature $+40\pm 2^{\circ}\text{C}$
Humidity 90%-95%RH
Duration 48hrs

Speakers can be inspected after leaving in normal temperature for 2hrs. After each test, all electrical and acoustic characteristics should be satisfied with the specification.

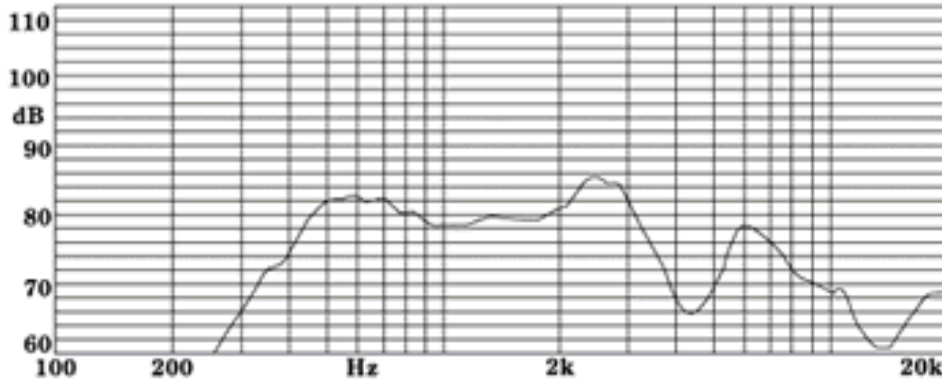
4.Appearance

Apearance: The speaker should not exist any obstacle to normal operation: damage, crack, rust and distortion etc.

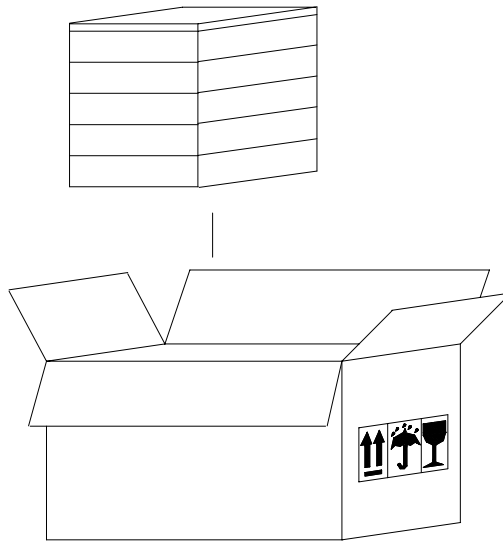
DIS.		DATE		Page:2 of 3	BMS-4011
CHEC.		DATE		3rd angle projection	
APPR.		DATE			Speaker
 BESTAR ELECTRONICS INDUSTRY CO.,LTD TianAn Industry Park 4/F,Site B ChangZhou New District E-Mail:bestarco@ pub.cz.jsinfo.net Http:www.be-star.com					DRG NO BS/TES01.025A

BMS-4011

5. Frequency Response



6. Packing



Remark:

100 pcs per tray
 10 trays per carton
 Total 1000pcs per carton
 Size: 50×27×26(cm)

This print and information therein are proprietary to Bestar Electronics Industry Co., Ltd. and shall not be used in whole or in part without its written content

DIS.		DATE		Page: 3 of 3	BMS-4011
CHEC.		DATE		3rd angle projection	
APPR.		DATE			Speaker
BESTAR ELECTRONICS INDUSTRY CO.,LTD TianAn Industry Park 4/F,Site B ChangZhou New District E-Mail:bestarco@ pub.cz.jsinfo.net Http:www.be-star.com					DRG NO BS/TES01.025A

X-ON Electronics

Largest Supplier of Electrical and Electronic Components

Click to view similar products for [Speakers & Transducers](#) category:

Click to view products by [Bestar](#) manufacturer:

Other Similar products are found below :

[AS02016MR-2-R](#) [PB-1220PE](#) [PB-2015PQ](#) [900-00001](#) [SMT-2240-TW-2-R](#) [SWFK-31736-000](#) [PT-2065FW](#) [PT-4175W](#) [AT-2830-TW-LW35-R](#) [ED-30761-000](#) [ED-31305-163](#) [CI-30120-A42](#) [TWFK-23991-000](#) [PB-0927PQ](#) [BF-7083-000](#) [AB6505B](#) [AS01708MR-SC-2-R](#) [AT-5030-TF-2-LW100-R](#) [AST-03008MR-R](#) [AS04008PS-4W-R](#) [AS01308MR-2-R](#) [AS01808AO-WP-R](#) [AS01508MR-6-R](#) [AS07108PO-R](#) [AS07708PS-2-WR-R](#) [AS07104PO-R](#) [SMS2020-08H4.5 LF](#) [BDT1717-08H6.5W56MLF](#) [SMS-2008MS-R](#) [AS04008PS-4W-WR-R](#) [AS06608PS-WR-R](#) [BLS50-1-08H18.2B-03 LF](#) [AS07008PO-2-R](#) [AS03008MR-R](#) [AS04008CO-2-R](#) [AS04008PR-WR-R](#) [ASE03008MR-LW150-R](#) [AS01808MR-LW152-R](#) [AS01808MR-R](#) [AS03608MR-4-R](#) [AS06608PS-R](#) [AS07708PS-2-R](#) [ASE06008MR-LW150-R](#) [ASE02008MR-LW150-R](#) [AST-1732MR-R](#) [SMS-1508MS-2-R](#) [AS05708MR-R](#) [AS05008MR-R](#) [APS3008S-R](#) [AS02008MR-R](#)