

## MAGNETIC TRANSDUCER

Customer	
Customer P/O	
Bestar Model Name	BMT-1212UX
Product No.	020201
Issue No.	BS/TET01.071A
Issue Date	01/05/28

### Approval:

- 1.Characteristic
- 2.Drawing
- 3.Reliability Test
- 4.Packing



BESTAR ELECTRONICS INDUSTRY CO.,LTD  
TianAn Industry Park4/F,Site B ChangZhou New District  
Tel:86-519-5103228  
Fax:86-519-5131010  
Http:www.be-star.com  
E-Mail:bestarco@pub.cz.jsinfo.net

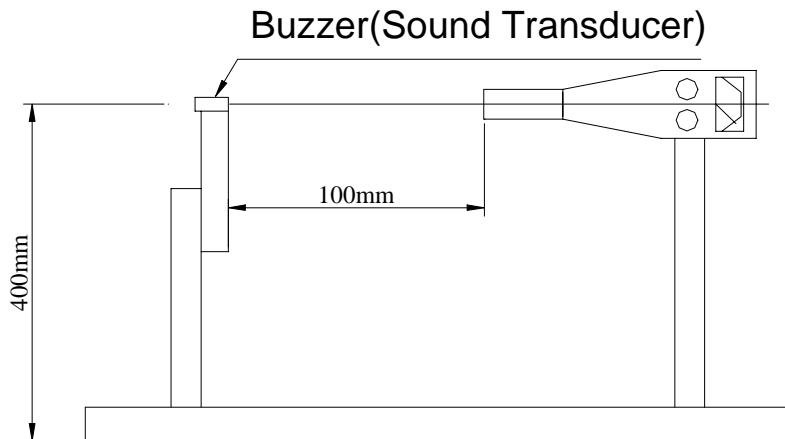
## BMT-1212UX

### 1. Characteristic

#### Electrical and Mechanical Characteristics

No.	Item	Specification
1.	Operating Voltage(V)	9~15
2.	Rated Voltage(V)	12
3.	a)Sound Output at 10cm(dB)	min.83
4.	a)Rated Current(mA)	max.30
5.	a)Resonance Frequency (Hz)	2300± 400
6.	Operating Temperature(° C)	-20...+70
7.	Storage Temperature (° C)	-25...+80
a)Value Applying at Rated Voltage		

#### Standard Output Measurement Setup

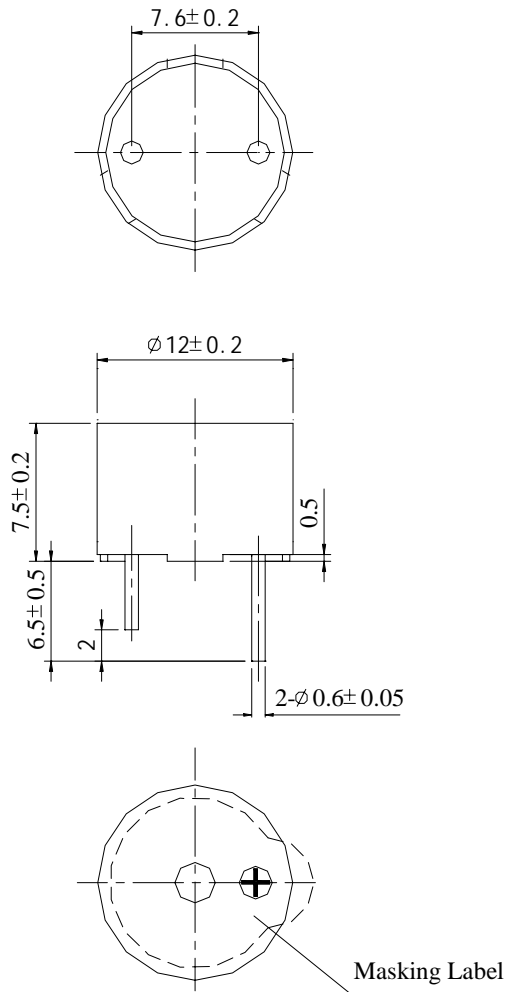


This print and information therein are proprietary to Bestar Electronics Industry Co., Ltd. and shall not be used in whole or in part without its written content 020201

DIS.		DATE		Page:1 of 4 3rd angle projection	BMT-1212UX
CHEC.		DATE			Transducer
APPR.		DATE			DRG NO BS/TET01.071A
 <b>BESTAR ELECTRONICS INDUSTRY CO.,LTD</b> TianAn Industry Park 4/F,Site B ChangZhou New District E-Mail:bestarco@ pub.cz.jsinfo.net Http:www.be-star.com					

## BMT-1212UX

### 2. Drawing



This print and information therein are proprietary to Bestar Electronics Industry Co., Ltd. and shall not be used in whole or in part without its written content 020201

DIS.		DATE		Page:2 of 4	BMT-1212UX
CHEC.		DATE			
APPR.		DATE			DRG NO BS/TET01.071A
 <b>BESTAR ELECTRONICS INDUSTRY CO.,LTD</b> TianAn Industry Park 4/F,Site B ChangZhou New District E-Mail:bestarco@ pub.cz.jsinfo.net Http:www.be-star.com					

## BMT-1212UX

### 3. Reliability test

#### 3.1 High temperature test

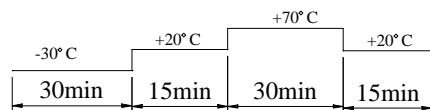
Temperature +80° C  
Duration 96hrs

#### 3.2 Low temperature test

Temperature -25° C  
Duration 96hrs

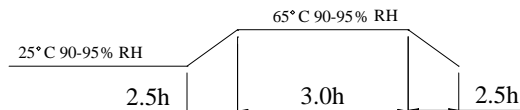
#### 3.3 Temperature cycle test

Cycles 5



#### 3.4 Humidity cycle test

Cycles 10



all these tests above should be measured after leaving normal temperature for 2hrs.

#### 3.5 Load test

Power supply rated voltage  
Duration 1000hrs

#### 3.6 Vibration Test

Vibration Frequency 10~55Hz  
Amplitude 1.5mm  
Duration x,y&z directions 30min

#### 3.7 Drop test

Height 70cm  
(to 10mm thickness woodenboard)  
Direction 3

#### 3.8 Solderability test

Solderability temperature 255° C  
Heat applying time 3sec

Notice: After the test the part shall meet specifications without any degraance and performance except S.P.L, S.P.L shall be 80dB more .

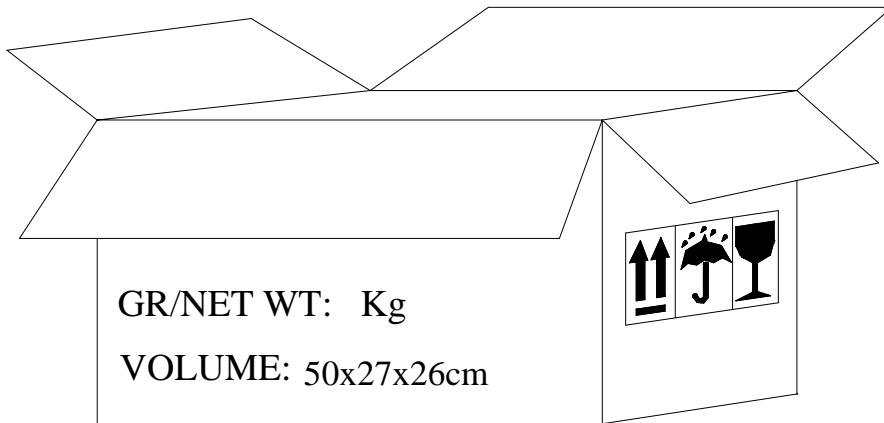
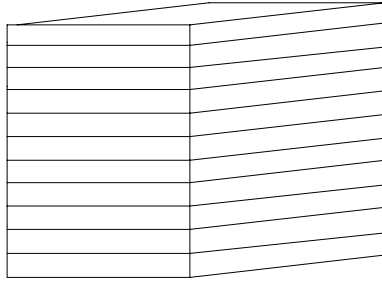
This print and information therein are proprietary to Bestar Electronics Industry Co., Ltd. and shall not be used in whole or in part without its written content 020201

DIS.		DATE		Page:3 of 4 3rd angle projection	BMT-1212UX Transducer DRG NO BS/TET01.071A
CHEC.		DATE			
APPR.		DATE			
 <b>BESTAR ELECTRONICS INDUSTRY CO.,LTD</b> TianAn Industry Park 4/F,Site B ChangZhou New District E-Mail:bestarco@ pub.cz.jsinfo.net Http:www.be-star.com					

This print and information there in are proprietary to Bestar Electronics Industry Co., Ltd. and shall not be used in whole or in part without its written content. No.020201

## BMT-1212UX

### 4. Packing



- 1)100pcs/tray
- 2)30tray/carton
- 3)3000 pcs/carton in total
- 4)carton size 50x27x26cm

DIS.		DATE		Page:4 of 4	BMT-1212UX
CHEC.		DATE		3rd angle projection	
APPR.		DATE			Transducer
 <b>BESTAR ELECTRONICS INDUSTRY CO.,LTD</b> TianAn Industry Park 4/F,Site B ChangZhou New District E-Mail:bestarco@ pub.cz.jsinfo.net Http:www.be-star.com					DRG NO BS/TET01.071A

## X-ON Electronics

Largest Supplier of Electrical and Electronic Components

*Click to view similar products for [Audio Indicators & Alerts](#) category:*

*Click to view products by [Bestar](#) manufacturer:*

Other Similar products are found below :

[M2BJ-BH24E](#) [6-4](#) [68S1240-PA](#) [MBA-624](#) [F/BC 40P-DR LF](#) [FDG111PLF](#) [F/NRMB 24 BLACK LF](#) [PF-35N29WQ](#) [PFD-27A35PQ](#) [PL-27A35PSQ](#) [PS-531Q](#) [AB2020B-2-LW1](#) [EBPT-401](#) [PB06SD12AP](#) [PB-1220PEQ](#) [S6109](#) [SC2036ACP](#) [SC616N-2](#) [SC628FW](#) [SC628MPG](#) [SC648D](#) [SCS045MD9DT3S](#) [AB2025B-LW50-R](#) [ESZ-25B-5-250B](#) [F/BC 35-DR LF](#) [FCM12PLF](#) [F/EB20P-DR LF](#) [F/HU110MP24V-IP67B LF](#) [AI-2835-TF-LW150-2-R](#) [AI-4228-TF-LW305-R](#) [FSMD8585JSLF](#) [FSS-26T](#) [F/SU 21-02 LF](#) [F/TCW 05 WITH LABEL LF](#) [F/UCW 03 WITH LABEL LF](#) [F/UCW 06 WITH LABEL LF](#) [PKM22EPPH40S1-B0](#) [PKM35-4A0](#) [PL-35N29WQ](#) [PLD-27A35PQ](#) [PS-552Q](#) [CM-5](#) [M2BJ-BH24E-D](#) [REF-202](#) [LSC628ANR](#) [5-100](#) [PAL-328](#) [03-810.001](#) [RTO-1R07-001](#) [PL-21N31PQ](#) [PF-27A25PSQ](#)