

# PIEZO BUZZER

Customer	
Customer P/O	
Bestar Model Name	BPT-23CX/W-1
Product No.	040500
Issue No.	BS/TEP01.082A
Issue Date	02/07/01

Approval:

1. Characteristic
2. Drawing
3. Reliability Test



BESTAR ELECTRONICS INDUSTRY CO.,LTD  
TianAn Industry Park4/F,Site B ChangZhou New District  
Tel:86-519-5103228  
Fax:86-519-5131010  
E-Mail:wu@be-star.com  
Http:www.be-star.com

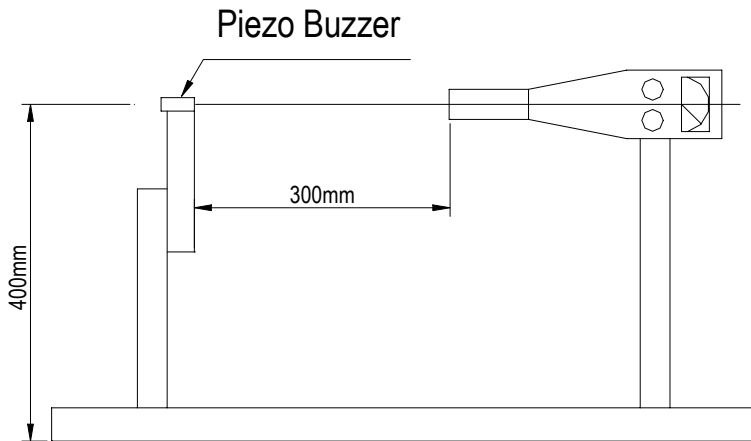
## BPT-23CX/W-1

### 1. Characteristic

#### Electrical and Mechanical Characteristics

Item	Unit	Specification
Rated Voltage(VDC)	V	12
Operating Voltage	V	3...20
Rated Current	mA	8
Sound Output at 30cm	dB	80
Resonant Frequency	Hz	3000 500
Operating Temperature	°C	-20...+60
Storage Temperature	°C	-30...+70
Weight	g	14
Value applying at rated voltage.		

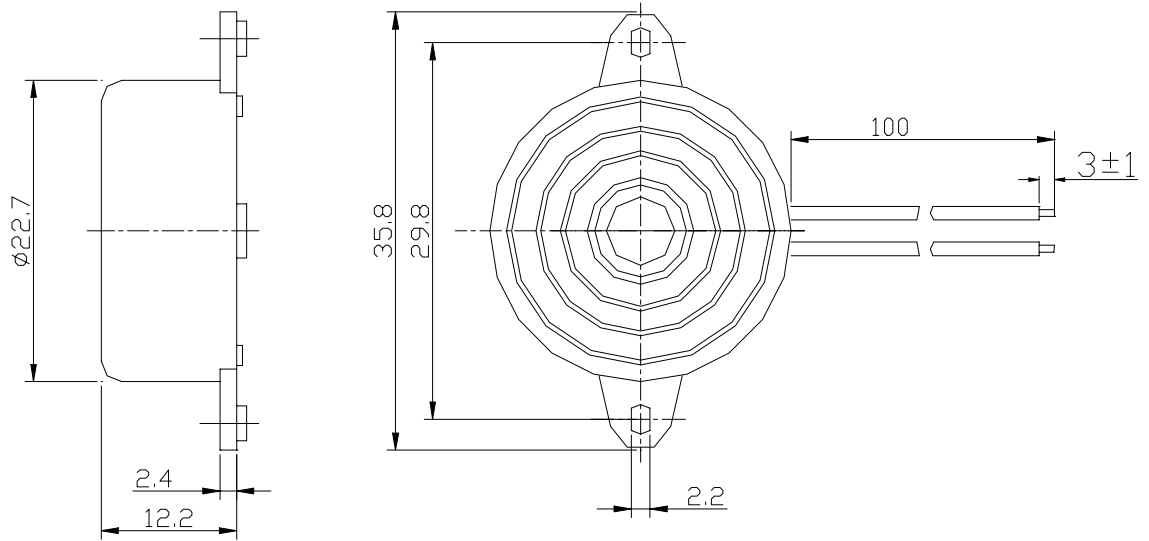
#### ★Standard Output Measurement Setup




DIS.		DATE		Page:1 of 3	BPT-23CX/W-1
CHEC.		DATE		3rd angle projection	Piezo Buzzer
APPR.		DATE			DRG NO BS/TEP01.082A
 <b>BESTAR ELECTRONICS INDUSTRY CO.,LTD</b> TianAn Industry Park 4/F,Site B ChangZhou New District E-Mail:bestarco@pub.cz.jsinfo.net Http:www.be-star.com					

## BPT-23CX/W-1

### 2. Drawing



This print and information therein are proprietary to Bestar Electronics Industry Co., Ltd. and shall not be used in whole or in part without its written content 040500

DIS.		DATE		Page:2 of 3	BPT-23CX/W-1
CHEC.		DATE		3rd angle projection	Piezo Buzzer
APPR.		DATE			DRG NO BS/TEP01.082A
 <b>BESTAR ELECTRONICS INDUSTRY CO.,LTD</b> TianAn Industry Park 4/F,Site B ChangZhou New District E-Mail:bestarco@ pub.cz.jsinfo.net Http:www.be-star.com					

## BPT-23CX/W-1

### 3. Reliability test

#### 3.1 High temperature test

Temperature +70°C  
 Duration 96hrs

#### 3.2 Low temperature test

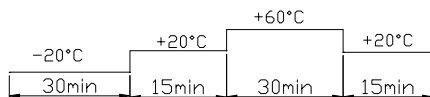
Temperature -30°C  
 Duration 96hrs

#### 3.3 Life test in normal temperature

Power supply rated voltage  
 Duration 1000hrs

#### 3.4 Temperature cycle test

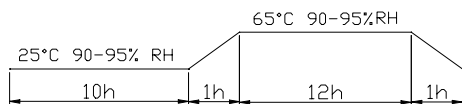
Cycles 5



all these tests above should be measured after leaving normal temperature for 2hrs.

#### 3.5 Humidity cycle test

Cycles 5



all these tests above should be measured after leaving normal temperature for 2hrs.

#### 3.6 Drop test

Height 70cm  
 (to 10mm thickness woodenboard)  
 Direction 3

Notice: All specification must be satisfied in this condition, except S.P.L, S.P.L shall be 75dB more .

This print and information therein are proprietary to Bestar Electronics Industry Co., Ltd. and shall not be used in whole or in part without its written content 040500

DIS.		DATE		Page:3 of 3 3rd angle projection	BPT-23CX/W-1
CHEC.		DATE			
APPR.		DATE			Piezo Buzzer
 <b>BESTAR ELECTRONICS INDUSTRY CO.,LTD</b> TianAn Industry Park 4/F,Site B ChangZhou New District E-Mail:bestarco@ pub.cz.jsinfo.net Http:www.be-star.com					DRG NO BS/TEP01.082A

## X-ON Electronics

Largest Supplier of Electrical and Electronic Components

*Click to view similar products for [Speakers & Transducers](#) category:*

*Click to view products by [Bestar](#) manufacturer:*

Other Similar products are found below :

[AS02016MR-2-R](#) [PB-1220PE](#) [PB-2015PQ](#) [900-00001](#) [SMT-2240-TW-2-R](#) [SWFK-31736-000](#) [PT-2065FW](#) [PT-4175W](#) [AT-2830-TW-LW35-R](#) [ED-30761-000](#) [ED-31305-163](#) [CI-30120-A42](#) [TWFK-23991-000](#) [PB-0927PQ](#) [BF-7083-000](#) [AB6505B](#) [AS01708MR-SC-2-R](#) [AT-5030-TF-2-LW100-R](#) [AST-03008MR-R](#) [AS04008PS-4W-R](#) [AS01308MR-2-R](#) [AS01808AO-WP-R](#) [AS01508MR-6-R](#) [AS07108PO-R](#) [AS07708PS-2-WR-R](#) [AS07104PO-R](#) [SMS2020-08H4.5 LF](#) [BDT1717-08H6.5W56MLF](#) [SMS-2008MS-R](#) [AS04008PS-4W-WR-R](#) [AS06608PS-WR-R](#) [BLS50-1-08H18.2B-03 LF](#) [AS07008PO-2-R](#) [AS03008MR-R](#) [AS04008CO-2-R](#) [AS04008PR-WR-R](#) [ASE03008MR-LW150-R](#) [AS01808MR-LW152-R](#) [AS01808MR-R](#) [AS03608MR-4-R](#) [AS06608PS-R](#) [AS07708PS-2-R](#) [ASE06008MR-LW150-R](#) [ASE02008MR-LW150-R](#) [AST-1732MR-R](#) [SMS-1508MS-2-R](#) [AS05708MR-R](#) [AS05008MR-R](#) [APS3008S-R](#) [AS02008MR-R](#)