

PIEZO BUZZER

Customer	
Customer P/O	
BeStar Model Name	BPT-35
Product No.	033200
Issue No.	BS/TEP01.150A
Issue Date	01/11/16

Approval:

- 1.Characteristic
- 2.Dimensions
- 3.Environmental Test
- 4.Appearance
- 5.Packing



BESTAR ELECTRONICS INDUSTRY CO.,LTD
TianAn Industry Park4/F,Site B ChangZhou New District
Tel:86-519-5103228
Fax:86-519-5131010
E-Mail:wu@be-star.com
Http:www.be-star.com

BPT-35

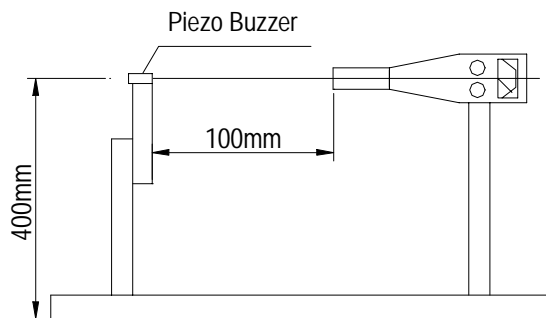
1. Characteristic:

★Electrical and Mechanical Characteristics


No.	Item	Specifications
1	Operating Voltage (Vp-p)	1...30
2	Rated Voltage (Vp-p, Square Wave)	10
3	a) Rated Current (mA)	max.3
4	Capacitance 120Hz (pF)	50000± 30%
5	a) Sound Output at 1.1KHz, 10cm (dB)	min.85
6	Resonant Frequency (Hz)	1100± 500
7	Operating Temperature (° C)	-20...+60
8	Storage Temperature (° C)	-30...+80
9	Weight (g)	5.0
10	Base plate	copper

a) Value applying at rated voltage.

.Standard Output Measurement Setup

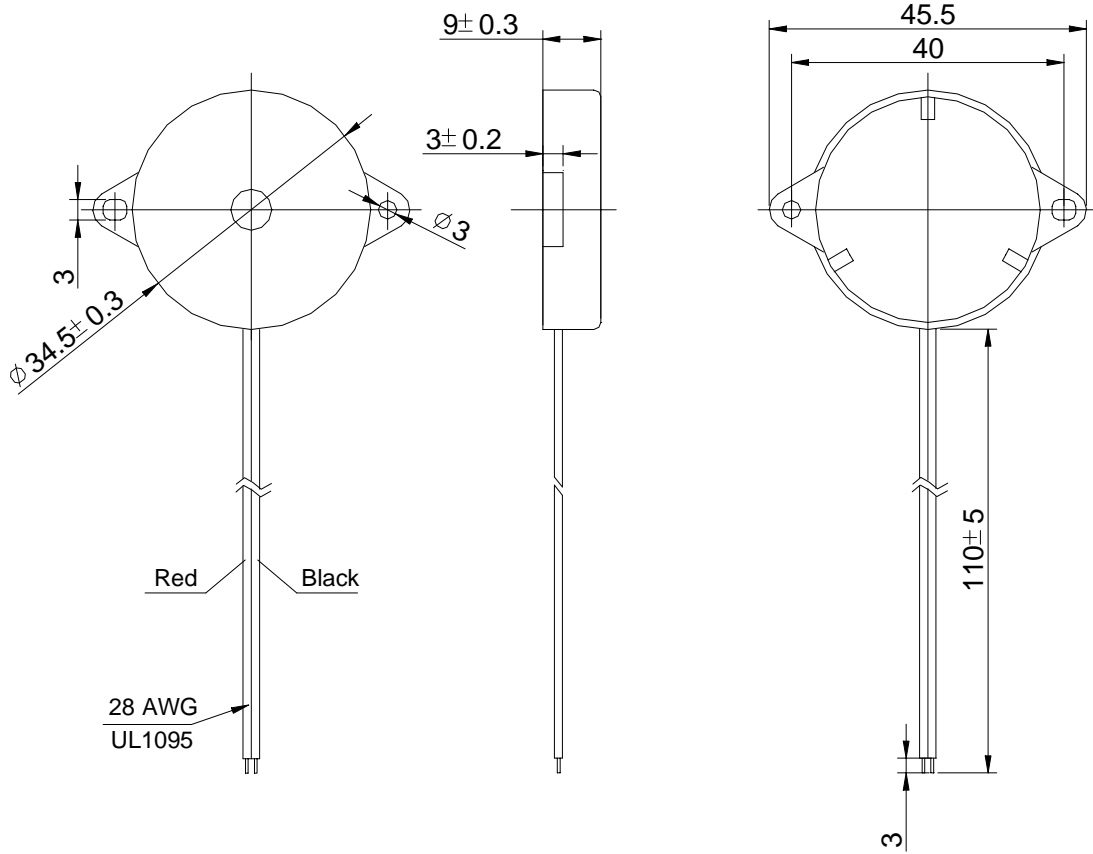


This print and information therein are proprietary to Bestar Electronics Industry Co., Ltd. and shall not be used in whole or in part without its written content 033200

DIS.	WANG	DATE	2001/11/16	Page:1 of 4	BPT-35
CHEC.		DATE		3rd angle projection	
APPR.		DATE			Piezo Buzzer
 BESTAR ELECTRONICS INDUSTRY CO.,LTD TianAn Industry Park 4/F,Site B ChangZhou New District E-Mail:bestarco@ pub.cz.jsinfo.net Http:www.be-star.com					DRG NO BS/TEP01.150A

BPT-35

2.Dimension:



Tolerance: ± 0.5
Unit:mm

This print and information therein are proprietary to Bestar Electronics Industry Co., Ltd. and shall not be used in whole or in part without its written content 033200

DIS.	WANG	DATE	2001/11/16	Page:2 of 4	BPT-35
CHEC.		DATE		3rd angle projection	
APPR.		DATE			Piezo Buzzer
BESTAR ELECTRONICS INDUSTRY CO.,LTD TianAn Industry Park 4/F,Site B ChangZhou New District E-Mail:bestarco@ pub.cz.jsinfo.net Http:www.be-star.com					DRG NO BS/TEP01.150A

This print and information therein are proprietary to Bestar Electronics Industry Co., Ltd. and shall not be used in whole or in part without its written content 033200

BPT-35

3.Environmental Test

3.1 High temperature test

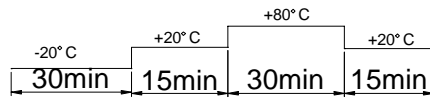
Temperature +80° C
 Duration 96hrs

3.2 Low temperature test

Temperature -30° C
 Duration 96hrs

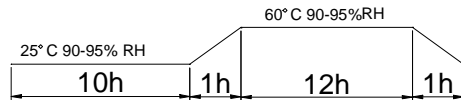
3.3 Temperature cycle test

Cycles 5



3.4 Humidity cycle test

Cycles 5



All these tests above should be measured after leaving normal temperature for 3hrs.

3.5 Load Test

Power 10Vp-p
 Duration 96hrs

3.6 Drop test


Height 70cm
 (to 10mm thickness woodenboard)
 Direction 3
 Time 10

Notice: All specifications must be satisfied in this condition.

After each test, there is no any degradation in appearance and performance except SPL. SPL shall be meet $85 \pm 10\text{dB}/10\text{cm}$.

4.Appearance:

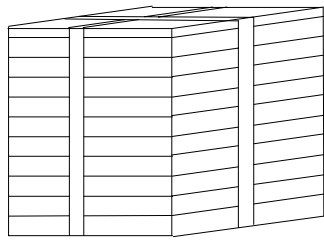
Appearance: without any rust and damage etc.

DIS.	WANG	DATE	2001/11/16	Page:3 of 4	BPT-35
CHEC.		DATE		3rd angle projection	
APPR.		DATE			Piezo Buzzer
 BESTAR ELECTRONICS INDUSTRY CO.,LTD TianAn Industry Park 4/F,Site B ChangZhou New District E-Mail:bestarco@ pub.cz.jsinfo.net Http:www.be-star.com					DRG NO BS/TEP01.150A

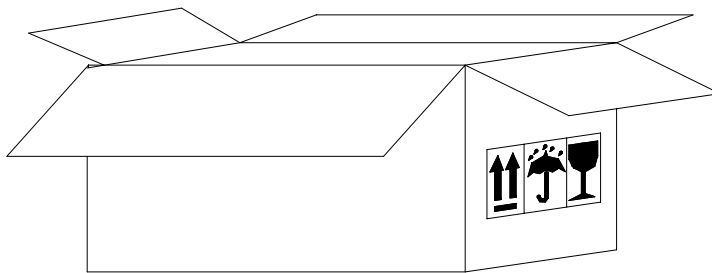
This print and information therein are proprietary to Bestar Electronics Industry Co., Ltd. and shall not be used in whole or in part without its written content 033200

BPT-35


5.Packing



10 trays



Remark:
 68 pcs per tray
 20 trays per carton
 Total 1360pcs per carton
 Size: 63X40X28.5(cm)

DIS.	WANG	DATE	2001/11/16	Page:4 of 4 3rd angle projection	BPT-35
CHEC.		DATE			Piezo Buzzer
APPR.		DATE			DRG NO BS/TEP01.150A
 BESTAR ELECTRONICS INDUSTRY CO.,LTD TianAn Industry Park 4/F,Site B ChangZhou New District E-Mail:bestarco@ pub.cz.jsinfo.net Http:www.be-star.com					

X-ON Electronics

Largest Supplier of Electrical and Electronic Components

Click to view similar products for [Speakers & Transducers](#) category:

Click to view products by [Bestar](#) manufacturer:

Other Similar products are found below :

[AS02016MR-2-R](#) [PB-1220PE](#) [PB-2015PQ](#) [900-00001](#) [SMT-2240-TW-2-R](#) [SWFK-31736-000](#) [PT-2065FW](#) [PT-4175W](#) [AT-2830-TW-LW35-R](#) [ED-30761-000](#) [ED-31305-163](#) [CI-30120-A42](#) [TWFK-23991-000](#) [PB-0927PQ](#) [BF-7083-000](#) [AB6505B](#) [AS01708MR-SC-2-R](#) [AT-5030-TF-2-LW100-R](#) [AST-03008MR-R](#) [AS04008PS-4W-R](#) [AS01308MR-2-R](#) [AS01808AO-WP-R](#) [AS01508MR-6-R](#) [AS07108PO-R](#) [AS07708PS-2-WR-R](#) [AS07104PO-R](#) [SMS2020-08H4.5 LF](#) [BDT1717-08H6.5W56MLF](#) [SMS-2008MS-R](#) [AS04008PS-4W-WR-R](#) [AS06608PS-WR-R](#) [BLS50-1-08H18.2B-03 LF](#) [AS07008PO-2-R](#) [AS03008MR-R](#) [AS04008CO-2-R](#) [AS04008PR-WR-R](#) [ASE03008MR-LW150-R](#) [AS01808MR-LW152-R](#) [AS01808MR-R](#) [AS03608MR-4-R](#) [AS06608PS-R](#) [AS07708PS-2-R](#) [ASE06008MR-LW150-R](#) [ASE02008MR-LW150-R](#) [AST-1732MR-R](#) [SMS-1508MS-2-R](#) [AS05708MR-R](#) [AS05008MR-R](#) [APS3008S-R](#) [AS02008MR-R](#)