

PIEZO BUZZER

Customer	
Customer P/O	
BeStar Model Name	BPT-380XAP24VDC
Product No.	041003
Issue No.	BS/TEP01.166A
Issue Date	03/05/09

Approval:

- 1.Characteristic
- 2.Dimension
- 3.Reliability Test
- 4.Packing



BESTAR ELECTRONICS INDUSTRY CO.,LTD
TianAn Industry Park4/F,Site B ChangZhou New District
Tel:86-519-5103228
Fax:86-519-5131010
Http:www.be-star.com
E-Mail:bestarco@pub.cz.jsinfo.net

BPT-380XAP24VDC(BPT-380XA24)

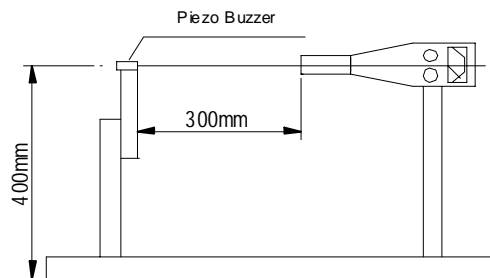
1. Characteristic

Electrical and Mechanical Characteristics



No.	Item	Specifications
1.	Operating Voltage (VDC)	10-28
2.	Rated Voltage (VDC)	24
3.	a) Supply Current (mA)(MAX)	20
4.	a) Sound Pressure Level at 30 cm(dB)(MIN)	95
5.	a) Resonant Frequency(Hz)	2900 ± 500
6.	@Tone Nature	FAST PULSE
7.	Operating Temperature(° C)	-20...+60
8.	Storage Temperature(° C)	-30...+70
	a) Value applying at rated voltage	
	@ Rated Pulse 3± 20%Hz	

★ Standard Output Measurement Setup

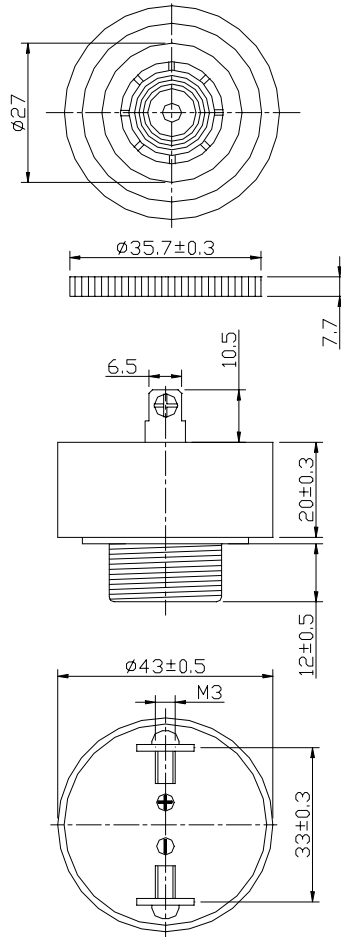


This print and information there in are proprietary to Bestar Electronics Industry Co., Ltd. and shall not be used in whole or in part without its written content

DIS.	王善梅	DATE		Page:1 of 3	BPT-380XAP24VDC
CHEC.		DATE		3rd angle projection	
APPR.		DATE			Piezo Buzzer
BESTAR ELECTRONICS INDUSTRY CO.,LTD Tian An Industry Park 4/F,Site B Chang Zhou New District E-Mail:bestarco@ pub.cz.jsinfo.net Http:www.be-star.com					DRG NO BS/TEP01.166A

BPT-380XAP24VDC(BPT-380XA24)

2. Dimension



This print and information there in are proprietary to Bestar Electronics Industry Co., Ltd. and shall not be used in whole or in part without its written content

DIS.	王善梅	DATE		Page:2 of 3	BPT-380XAP24VDC
CHEC.		DATE		3rd angle projection	Piezo Buzzer
APPR.		DATE			
 BESTAR ELECTRONICS INDUSTRY CO.,LTD TianAn Industry Park 4/F,Site B ChangZhou New District E-Mail:bestarco@ pub.cz.jsinfo.net Http:www.be-star.com				DRG NO BS/TEP01.166A	

BPT-380XAP24VDC(BPT-380XA24)

3. Reliability test

3.1 high temperature test

Temperature +70° C
Duration 96hrs

3.2 low temperature test

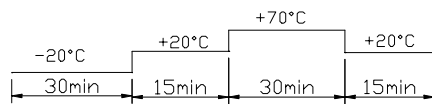
Temperature -30° C
Duration 96hrs

3.3 life test in normal temperature

Power supply 24V
Duration 500hrs

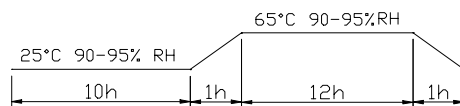
3.4 temperature cycle test

Cycles 5



3.5 Humidity cycle test

Cycles 5



all these tests above should be measured after leaving normal temperature for 2hrs.

3.6 Drop test

Height 70cm
(to 10mm thickness woodenboard)
Direction 3

Notice: All specification must be satisfied in this condition.

4.Packing

4.1 Packing Quantity :1pcs per small box
250pcs per carton
carton size 49x25x30cm,

This print and information there in are proprietary to Bestar Electronics Industry Co., Ltd. and shall not be used in whole or in part without its written content

DIS.	王善梅	DATE		Page:3 of 3 3rd angle projection	BPT-380XAP24VDC
CHEC.		DATE			Piezo Buzzer
APPR.		DATE			
 BESTAR ELECTRONICS INDUSTRY CO.,LTD TianAn Industry Park 4/F,Site B ChangZhou New District E-Mail:bestarco@ pub.cz.jsinfo.net Http:www.be-star.com					DRG NO BS/TEP01.166A

X-ON Electronics

Largest Supplier of Electrical and Electronic Components

Click to view similar products for [Speakers & Transducers](#) category:

Click to view products by [Bestar](#) manufacturer:

Other Similar products are found below :

[AS02016MR-2-R](#) [PB-1220PE](#) [PB-2015PQ](#) [900-00001](#) [SMT-2240-TW-2-R](#) [SWFK-31736-000](#) [PT-2065FW](#) [PT-4175W](#) [AT-2830-TW-LW35-R](#) [ED-30761-000](#) [ED-31305-163](#) [CI-30120-A42](#) [TWFK-23991-000](#) [PB-0927PQ](#) [BF-7083-000](#) [AB6505B](#) [AS01708MR-SC-2-R](#) [AT-5030-TF-2-LW100-R](#) [AST-03008MR-R](#) [AS04008PS-4W-R](#) [AS01308MR-2-R](#) [AS01808AO-WP-R](#) [AS01508MR-6-R](#) [AS07108PO-R](#) [AS07708PS-2-WR-R](#) [AS07104PO-R](#) [SMS2020-08H4.5 LF](#) [BDT1717-08H6.5W56MLF](#) [SMS-2008MS-R](#) [AS04008PS-4W-WR-R](#) [AS06608PS-WR-R](#) [BLS50-1-08H18.2B-03 LF](#) [AS07008PO-2-R](#) [AS03008MR-R](#) [AS04008CO-2-R](#) [AS04008PR-WR-R](#) [ASE03008MR-LW150-R](#) [AS01808MR-LW152-R](#) [AS01808MR-R](#) [AS03608MR-4-R](#) [AS06608PS-R](#) [AS07708PS-2-R](#) [ASE06008MR-LW150-R](#) [ASE02008MR-LW150-R](#) [AST-1732MR-R](#) [SMS-1508MS-2-R](#) [AS05708MR-R](#) [AS05008MR-R](#) [APS3008S-R](#) [AS02008MR-R](#)