

# PIEZO BUZZER

Customer	
Customer P/O	
Bestar Model Name	BPT-40X
Product No.	041100
Issue No.	BS/TEP01.077A
Issue Date	01/06/01

Approval:

- 1.Characteristic
- 2.Drawing
- 3.Reliability Test



BESTAR ELECTRONICS INDUSTRY CO.,LTD  
TianAn Industry Park4/F,Site B ChangZhou New District  
Tel:86-519-5103228  
Fax:86-519-5131010  
E-Mail:wu@be-star.com  
Http:www.be-star.com

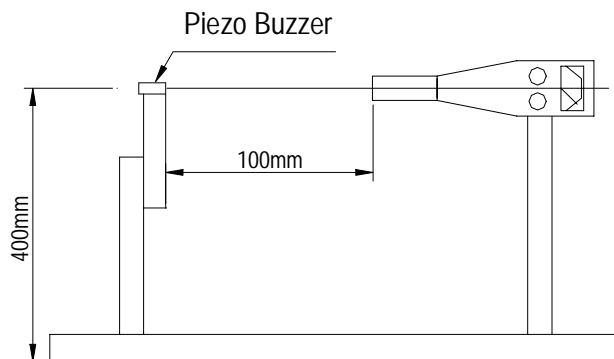
## BPT-40X

### 1. Characteristic

#### Electrical and Mechanical Characteristics

No.	Item	Specifications
1	Rated Voltage(V)	12
2	Operating Voltage(V)	3...24
3	a)Rated Current(mA)	max.12
4	a)Sound Output at 10cm(dB)	min.100
5	a)Resonant Frequency(Hz)	2800± 500
6	Operating Temperature(° C)	-20...+60
7	Storage Temperature(° C)	-30...+70
	a)Value applying at rated voltage(DC).	

#### .Standard Output Measurement Setup



This print and information therein are proprietary to Bestar Electronics Industry Co., Ltd. and shall not be used in whole or in part without its written content 041100

DIS.		DATE		Page:1 of 3
CHEC.		DATE		3rd angle projection
APPR.		DATE		



**BESTAR ELECTRONICS INDUSTRY CO.,LTD**  
 TianAn Industry Park 4/F,Site B ChangZhou New District  
 E-Mail:bestarco@ pub.cz.jsinfo.net Http:www.be-star.com

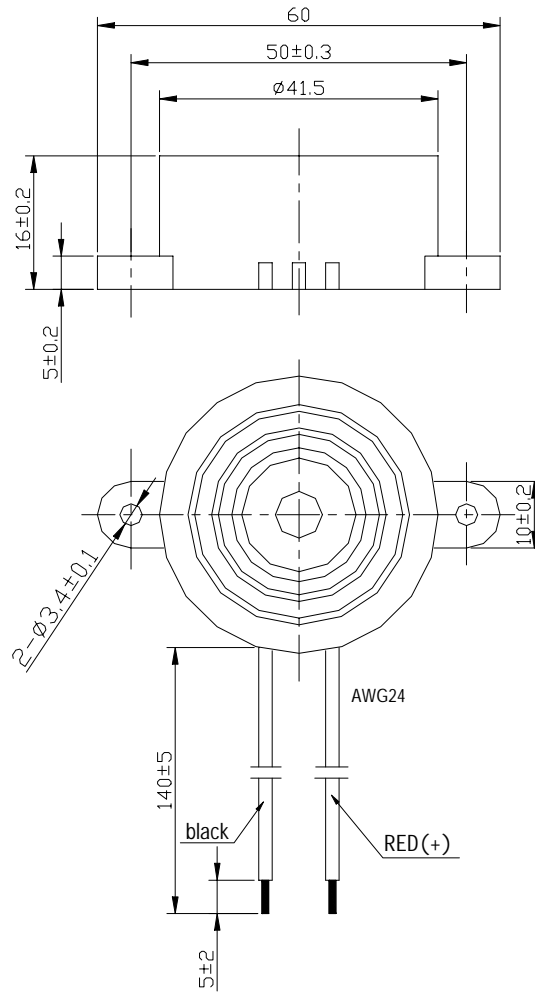
BPT-40X

Piezo Buzzer


DRG NO  
BS/TEP01.077A

## BPT-40X

### 2. Drawing



This print and information therein are proprietary to Bestar Electronics Industry Co., Ltd. and shall not be used in whole or in part without its written content 041100

DIS.		DATE		Page:2 of 3 3rd angle projection	BPT-40X
CHEC.		DATE			Piezo Buzzer
APPR.		DATE			DRG NO BS/TEP01.077A
 <b>BESTAR ELECTRONICS INDUSTRY CO.,LTD</b> TianAn Industry Park 4/F,Site B ChangZhou New District E-Mail:bestarco@ pub.cz.jsinfo.net Http:www.be-star.com					

# BPT-40X

## 3. Reliability test

### 3.1 high temperature test

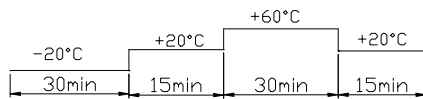
Temperature +60° C  
Duration 96hrs

### 3.2 low temperature test

Temperature -20° C  
Duration 96hrs

### 3.3 temperature cycle test

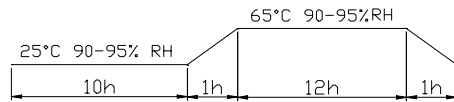
Cycles 5



all these tests above should be measured after leaving normal temperature for 2hrs.

### 3.4 Humidity cycle test

Cycles 5



all these tests above should be measured after leaving normal temperature for 2hrs.

### 3.5 Life test in high temperature

Temperature +60° C  
Duration 500hrs  
load 20V

### 3.6 Life test in low temperature

Temperature -20° C  
Duration 500hrs  
Load 3V

### 3.7 Drop test

Height 70cm  
(to 10mm thickness woodenboard)  
Direction 3

Notice: All specification must be satisfied in this condition.

This print and information therein are proprietary to Bestar Electronics Industry Co., Ltd. and shall not be used in whole or in part without its written content 041100

DIS.		DATE		Page:3 of 3 3rd angle projection
CHEC.		DATE		
APPR.		DATE		



**BESTAR ELECTRONICS INDUSTRY CO.,LTD**  
TianAn Industry Park 4/F,Site B ChangZhou New District  
E-Mail:bestarco@ pub.cz.jsinfo.net Http:www.be-star.com

**BPT-40X**

**Piezo Buzzer**

**DRG NO  
BS/TEP01.077A**

## X-ON Electronics

Largest Supplier of Electrical and Electronic Components

*Click to view similar products for [Speakers & Transducers](#) category:*

*Click to view products by [Bestar](#) manufacturer:*

Other Similar products are found below :

[AS02016MR-2-R](#) [PB-1220PE](#) [PB-2015PQ](#) [900-00001](#) [SMT-2240-TW-2-R](#) [SWFK-31736-000](#) [PT-2065FW](#) [PT-4175W](#) [AT-2830-TW-LW35-R](#) [ED-30761-000](#) [ED-31305-163](#) [CI-30120-A42](#) [TWFK-23991-000](#) [PB-0927PQ](#) [BF-7083-000](#) [AB6505B](#) [AS01708MR-SC-2-R](#) [AT-5030-TF-2-LW100-R](#) [AST-03008MR-R](#) [AS04008PS-4W-R](#) [AS01308MR-2-R](#) [AS01808AO-WP-R](#) [AS01508MR-6-R](#) [AS07108PO-R](#) [AS07708PS-2-WR-R](#) [AS07104PO-R](#) [SMS2020-08H4.5 LF](#) [BDT1717-08H6.5W56MLF](#) [SMS-2008MS-R](#) [AS04008PS-4W-WR-R](#) [AS06608PS-WR-R](#) [BLS50-1-08H18.2B-03 LF](#) [AS07008PO-2-R](#) [AS03008MR-R](#) [AS04008CO-2-R](#) [AS04008PR-WR-R](#) [ASE03008MR-LW150-R](#) [AS01808MR-LW152-R](#) [AS01808MR-R](#) [AS03608MR-4-R](#) [AS06608PS-R](#) [AS07708PS-2-R](#) [ASE06008MR-LW150-R](#) [ASE02008MR-LW150-R](#) [AST-1732MR-R](#) [SMS-1508MS-2-R](#) [AS05708MR-R](#) [AS05008MR-R](#) [APS3008S-R](#) [AS02008MR-R](#)