

Non-reflective Terminations (SMA Type)

HRM-TM Series



■Features

1.High Performance

These super wide bandwidth/ultra high matching non-reflective termination use Hirose Electric original high frequency matching technology.

2.Equipped with SMA Connectors

Use of SMA connectors (Hirose Electric HRM Series) which feature stainless steel for the exterior cladding make these couplers durable.

■Product Specifications

Ratings	Frequency range (Note) Characteristic impedance Maximum Input Power (Note)	DC to 26.5 GHz 50 ohms 0.25 to 10 W	Operating temperature range Operating relative humidity	-10°C to +65°C 95% Max.
---------	--	---	--	----------------------------

Note: The frequency range and the maximum input power will differ depending on the products.

Item	Standard	Conditions
1.Vibration	No electrical discontinuity of 1 μ s or more No damage, cracks, or parts dislocation	Frequency of 10 to 2000 Hz, overall amplitude of 1.52 mm, acceleration of 98 m/s ² for 2 hours in each of 3 directions
2.Shock		Acceleration of 490 m/s ² , sine half-wave waveform, 3 cycles in each of the 3 axis
3.Temperature cycle	No damage, cracks, or parts dislocation	Temperature: -55°C → +15°C to +35°C → +85°C → +15°C to +35°C Time: 30 → 15 max. → 30 → 15 max. (Minutes) 5 cycles

- The test method conforms to MIL-STD-202.
- Please see the specification items for details concerning the VSWR.

■Materials

Part	Material	Finish
Connector Body (Note)	Stainless steel	Nickel plating
Insulation	PTFE	—
Male contacts	Brass	Gold plating
Female contacts	Beryllium copper	Gold plating
Outer conductor	Brass	Nickel plating
Coupling (Note)	Stainless steel	Passivated
Radiator	Aluminum	Black alumite
Resistor	Metal film	—

Note: The external cladding and coupling of HRM-601(40), HRM-602(40), and HRM-603(40) have received gold plating processing.

Ordering Information

HRM - 601 S (40)

① ② ③ ④

① Series Name: HRM Series
② 600 to 699: Indicates a non-reflective termination.
③ Coupling Finish Blank: Gold plating S: Passivated A: Passivated (HRM-601S type without cap) D: Passivated (With connection leads)
④ (4*): RoHS Compliant

HRM - TM P - 5 - 2 (40)

① ② ③ ④ ⑤ ⑥

① Series Name: HRM Series	④ Power (Example) 05: 0.5 W 2: 2 W
② TM: Indicates a non-reflective terminator.	
③ Connector type P: Plug type J: Jack type	⑤ Suffix
	⑥ (4*): RoHS Compliant

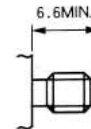
Specifications

Part Number	Frequency Range (GHz)	V.S.W.R.(Max)						Power (W)	Connectors	Weight (g)	RoHS
		DC~2GHz	2~4GHz	4~8GHz	8~12.4GHz	12.4~18GHz	318~26.5GHz				
HRM-601(40) HRM-601S(40)	DC~18	1.08		1.10	1.12	1.15	—	1/4	HRM-P	3	YES
HRM-601A(40)	DC~18	1.08		1.10	1.12	1.15	—	1/4	HRM-P	3	
HRM-601A(42)	DC~26.5	1.08		1.10	1.12	1.15	1.20	1/4	HRM-P	3	
HRM-601D(40)	DC~18	1.08		1.10	1.12	1.15	—	1/4	HRM-P	3	
HRM-602(40) HRM-602S(40)	DC~18	1.08		1.15		1.35	—	1/4	HRM-J	4	
HRM-603(40) HRM-603S(40)	DC~18	1.08		1.10	1.12	1.15	—	1/4	HRM-P	5	
HRM-TMP-05(40)	DC~18	1.08		1.10	1.12	1.15	—	1/2	HRM-P	3	
HRM-TMP-2(40)	DC~18	1.10	1.15	1.20	1.25	1.25	—	2	HRM-P	11	
HRM-TMP-3(40)	DC~8	1.10	1.15	1.20	—	—	—	3	HRM-P	40	
△ HRM-TMP-5-2(40)	DC~18	1.20			1.30		—	5	HRM-P	42	
Note 1 △ HRM-TMP-6(40)	DC~8	1.10	1.15	1.20	—	—	—	6	HRM-P	56	
△ HRM-TMP-10-2(40)	DC~18	1.20			1.30		—	10	HRM-P	82	

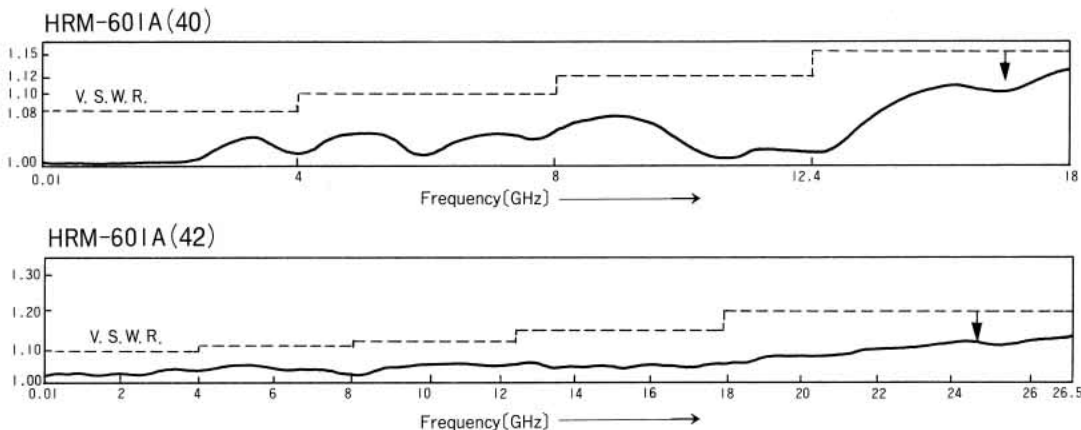
Note 1: When □300 metal plates are attached

Note 2: When connection leads are to be attached to the jack connector side, please use a leading dimension of 6.6 mm or greater from the mounting surface.

△ CAUTION: Beryllia is used in this product. Please follow associated laws when disposing.

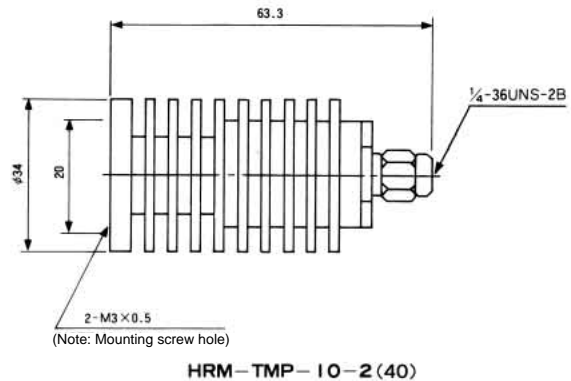
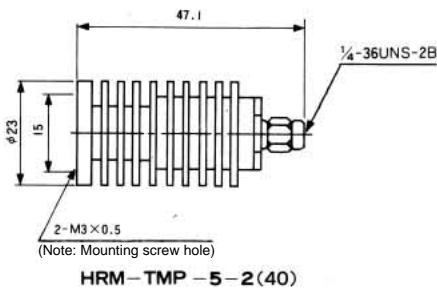
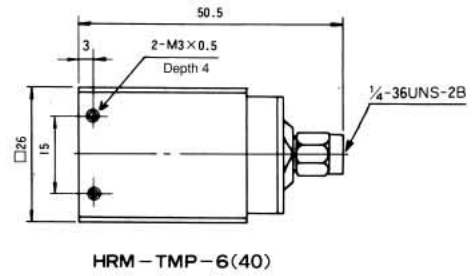
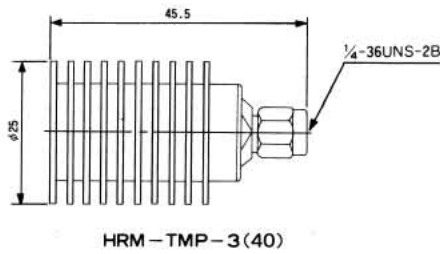
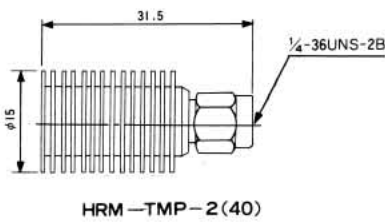
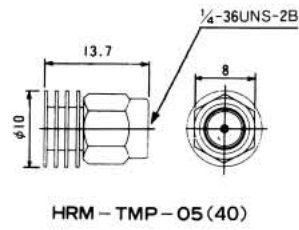
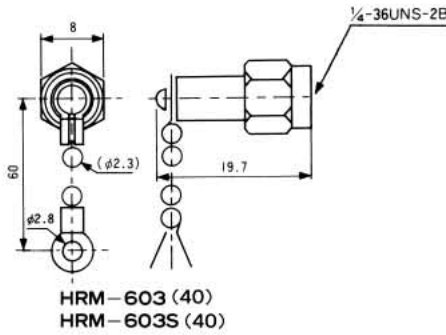
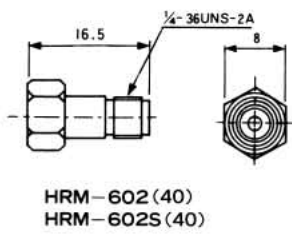
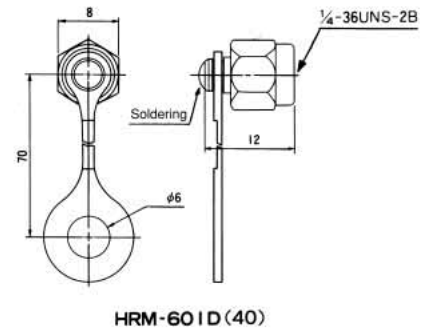
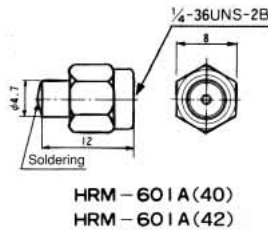
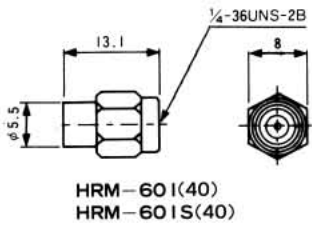


Typical Data



HRM-TM Series Non-reflective Terminations (SMA Type)

External Dimensions



X-ON Electronics

Largest Supplier of Electrical and Electronic Components

Click to view similar products for [RF Connectors](#) / [Coaxial Connectors](#) category:

Click to view products by [Hirose](#) manufacturer:

Other Similar products are found below :

[R125315120](#) [8915-1511-000](#) [89674-0827](#) [5916-1103-603](#) [0106-001-000](#) [6-0001-3](#) [6001-7071-019](#) [6002-7051-003](#) [6002-7551-202](#) [6059674-1](#) [619550-1](#) [630059-000](#) [M39012/25-0021](#) [M39012/79-3008](#) [M39030/3-01N](#) [M39030/3-03N](#) [M3933/25-29N](#) [M3933/25-36N](#) [6500-7071-046](#) [6501-1071-002](#) [M83723/72W24576](#) [M83723/72W2457N](#) [6769](#) [CX050L2AQ](#) [7002-1541-010](#) [7003-1572-002](#) [7004-1512-000](#) [7009-1511-004](#) [7010-1511-000](#) [7029-1511-060](#) [7101-1541-010](#) [7101-1571-002](#) [7105-1521-002](#) [7145-1521-002](#) [7209-1511-011](#) [7210-1511-012](#) [7210-1511-015](#) [7210-1511-019](#) [7210-1511-040](#) [7225-1512-050](#) [7242-1511-000](#) [73137-5015](#) [73251-0111](#) [73251-0672](#) [73276-1501](#) [73366-0013](#) [73404-2300](#) [73413-6080](#) [734151610](#) [73415-5721](#)