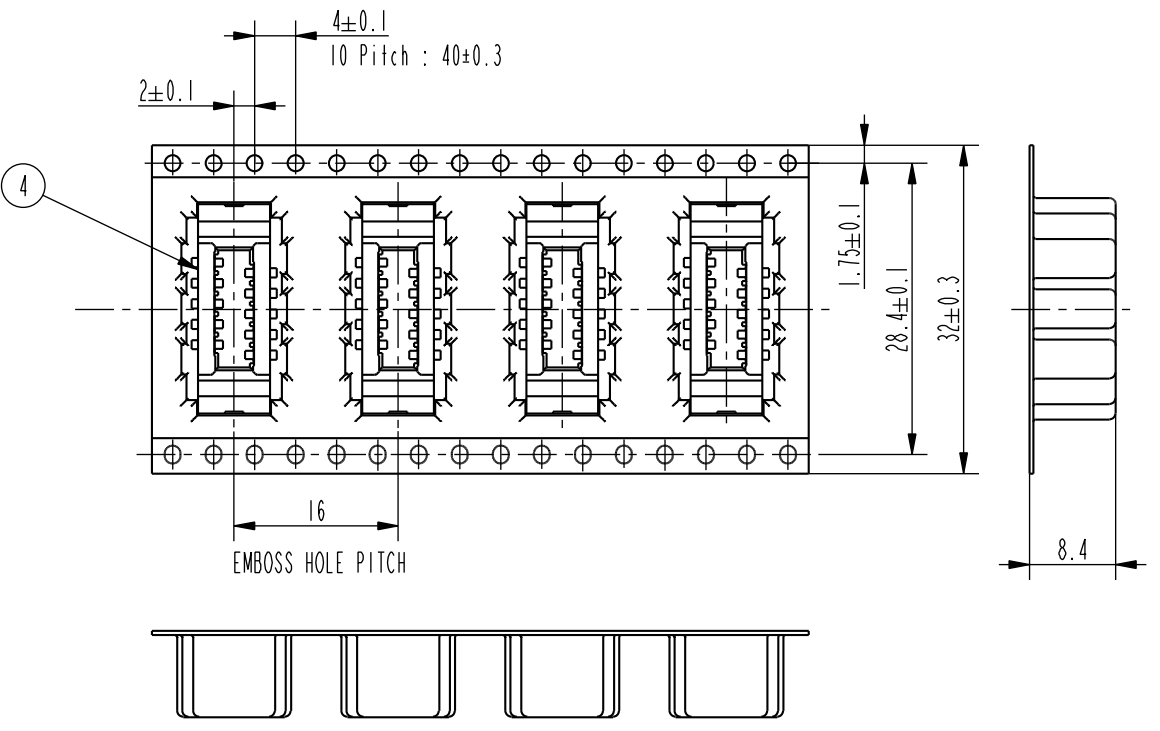
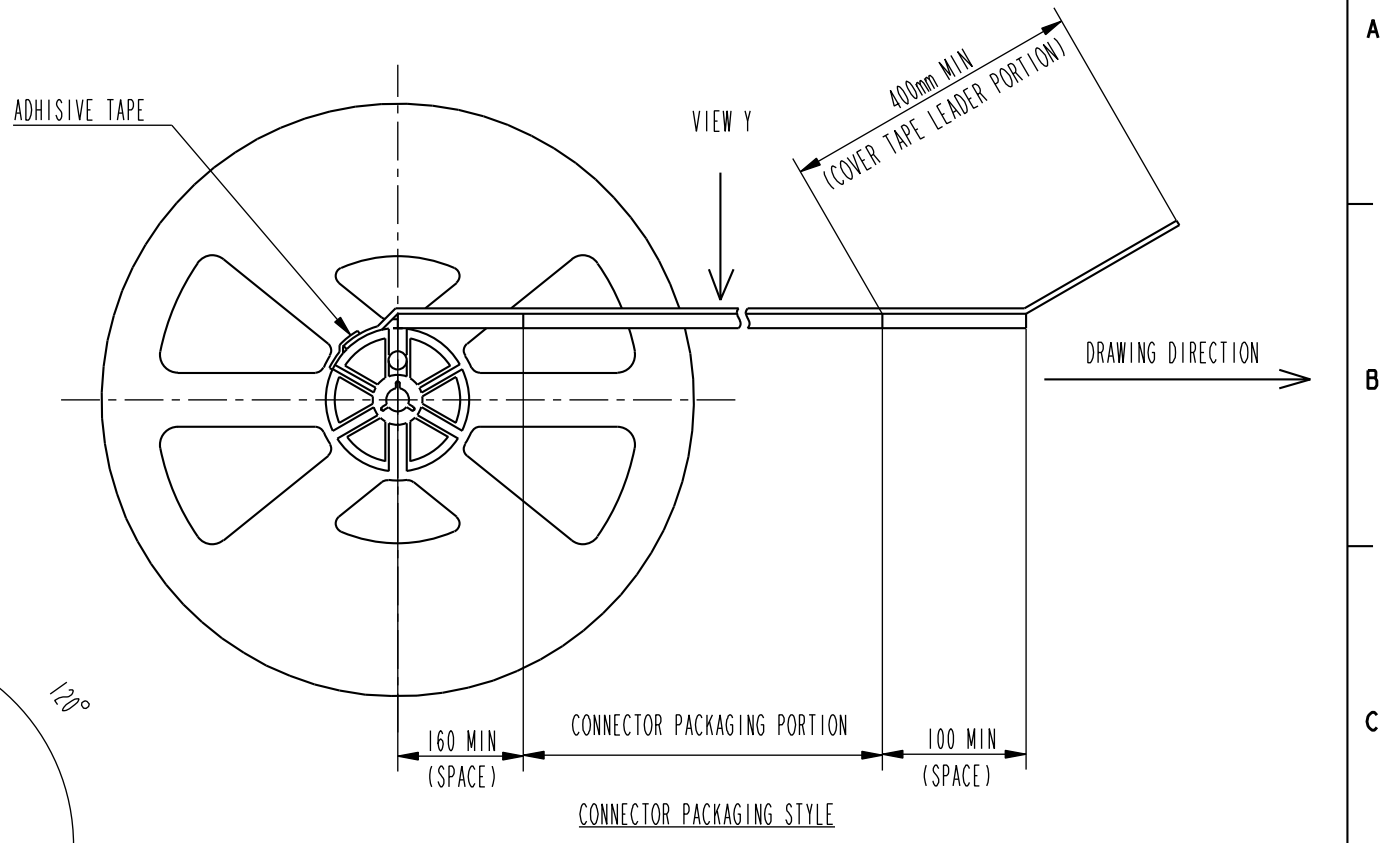
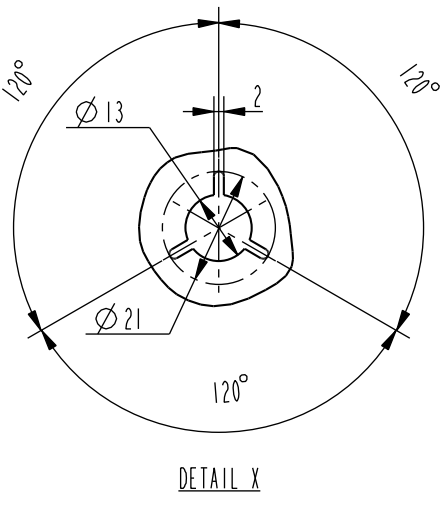
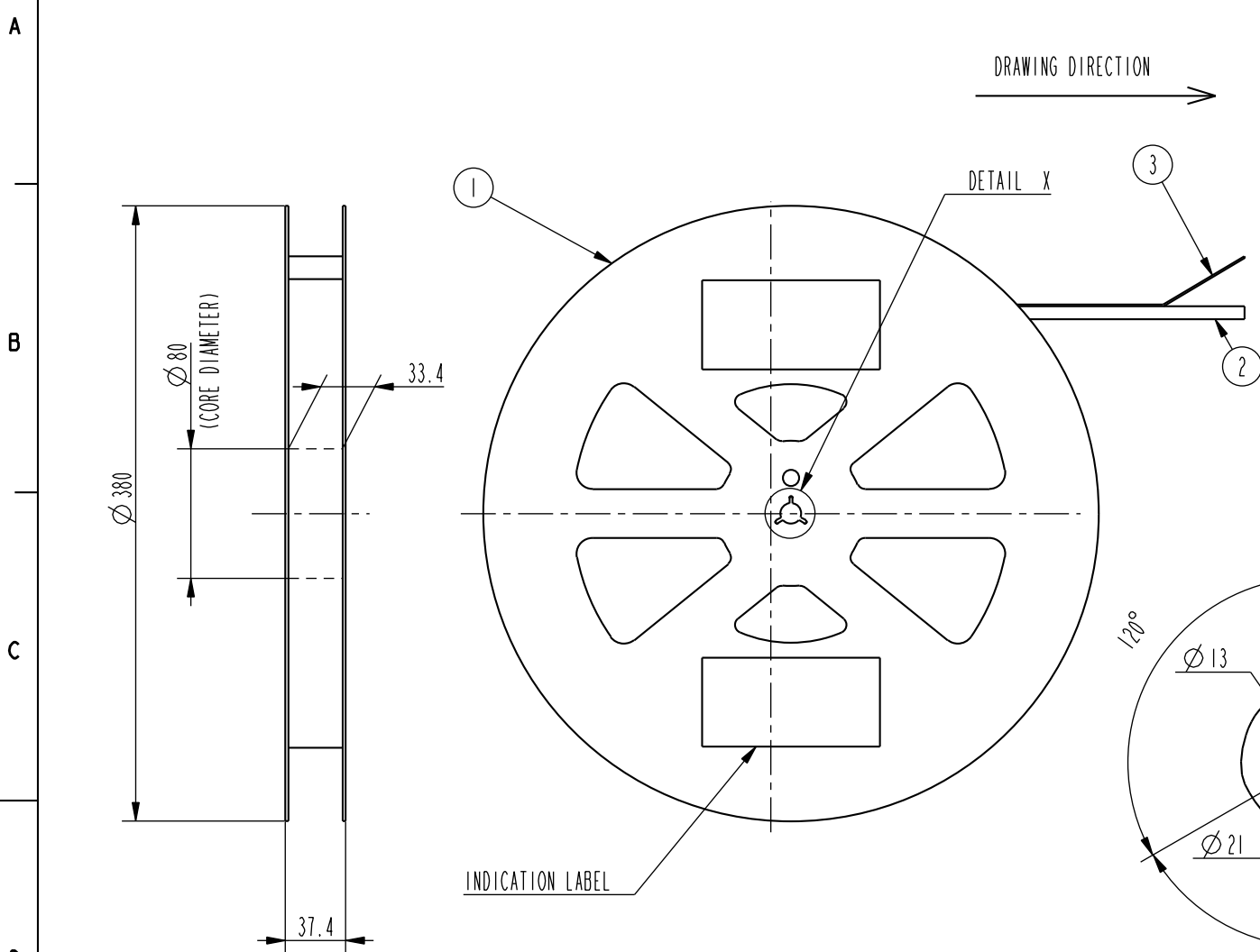


Product No. BTFWI0R-3SSTAE4LF	No. of contacts 10 CONTACTS
----------------------------------	--------------------------------



No.	PART NAME	PRODUCT No.	MATERIAL	Q'TY	NOTE
1	REEL	-----	POLYSTYRENE	1	COLER:BLACK
2	PLASTIC(EMBOSS)TAPE	-----	PP or PET	1	
3	COVER TAPE	-----	POLYESTER	1	
4	CONNECTOR	BTFW...P-3SSTALF	SEE ATTACHED DRAWING	700	CONTACT AREA PLATING:GOLD TERMINAL AREA PLATING:GOLD

NOTE
 1. THIS IS PLASTIC TAPE PACKAGED CONNECTOR USED FOR FPC AND COPES WITH AUTOMATIC MOUNTING(SMT)
 2. SEE JIS C 0806 (PACKING OF ELECTRONIC COMPONENTS ON CONTINUOUS TAPES (SURFACE MOUNTING DEVICES))

Copyright FCI

rev	ecn no	dr	date
A	-	M.K	Apr. 25, '13

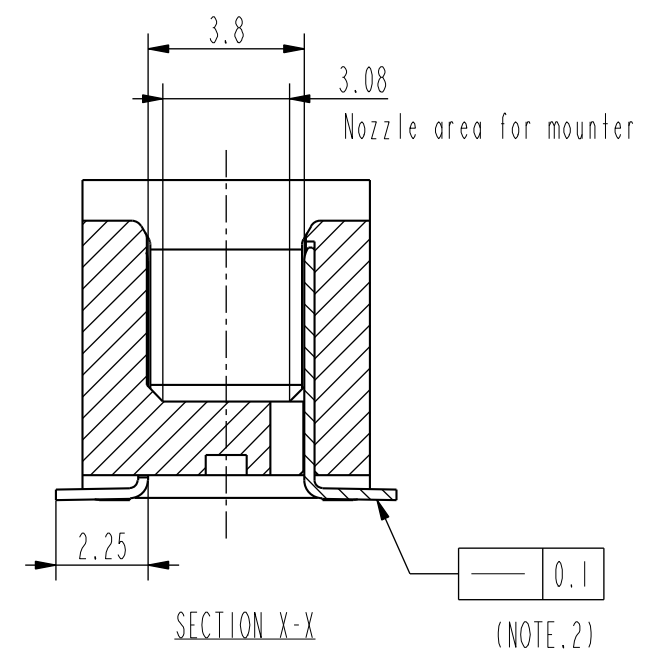
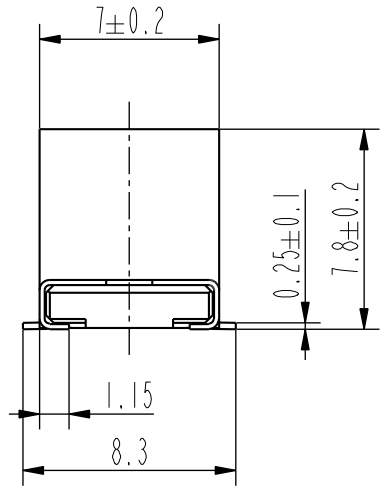
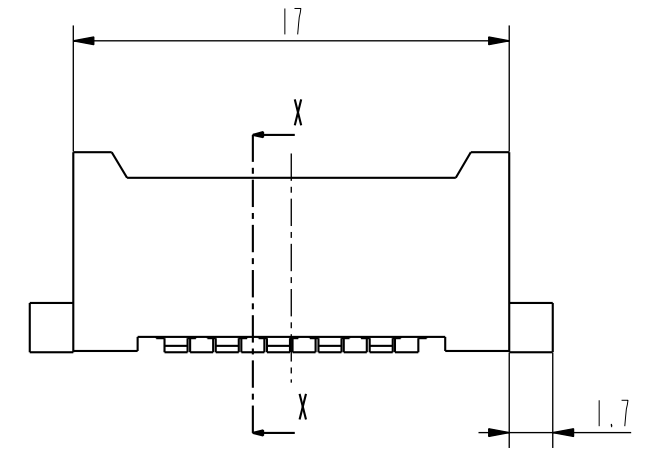
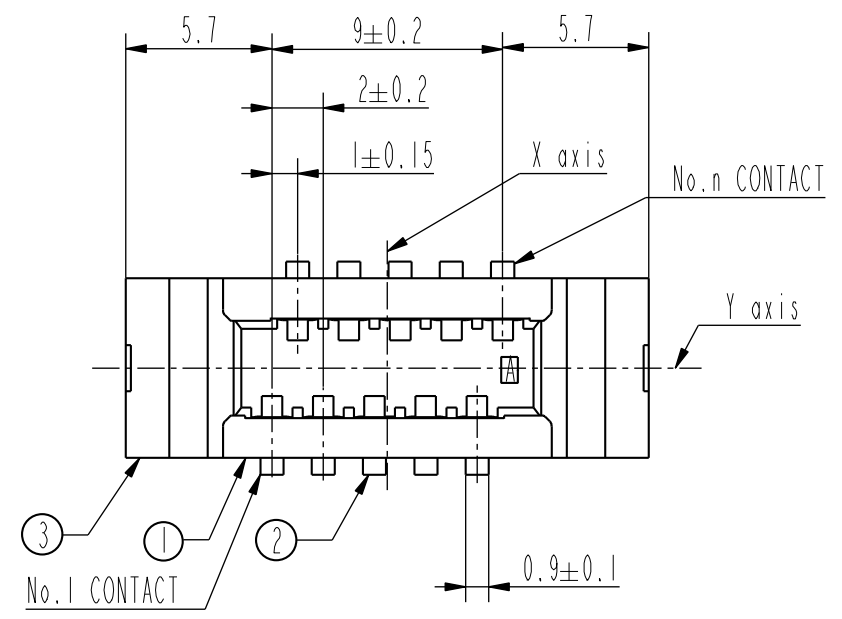
www.fciconnect.com		surface <input checked="" type="checkbox"/>	tolerance std	projection	MM
		TOLERANCES UNLESS OTHERWISE SPECIFIED			
Dr	M. Hoga	Apr. 25, '13	ANGULAR	size	Scale
Eng	M. Hoga	Apr. 25, '13	LINEAR	±5	A2
Chr	M. Hoga	Apr. 25, '13	5° ±°		N/A
Appr	M. Hoga	Apr. 25, '13	Product family		ECN
			590F		Spec ref
FCI				cat no	10125327
TITLE				Customer	Rev. A
PLASTIC TAPE PACKAGED B to B PLUG CONNECTOR				sheet 1 of 3	

Parts table

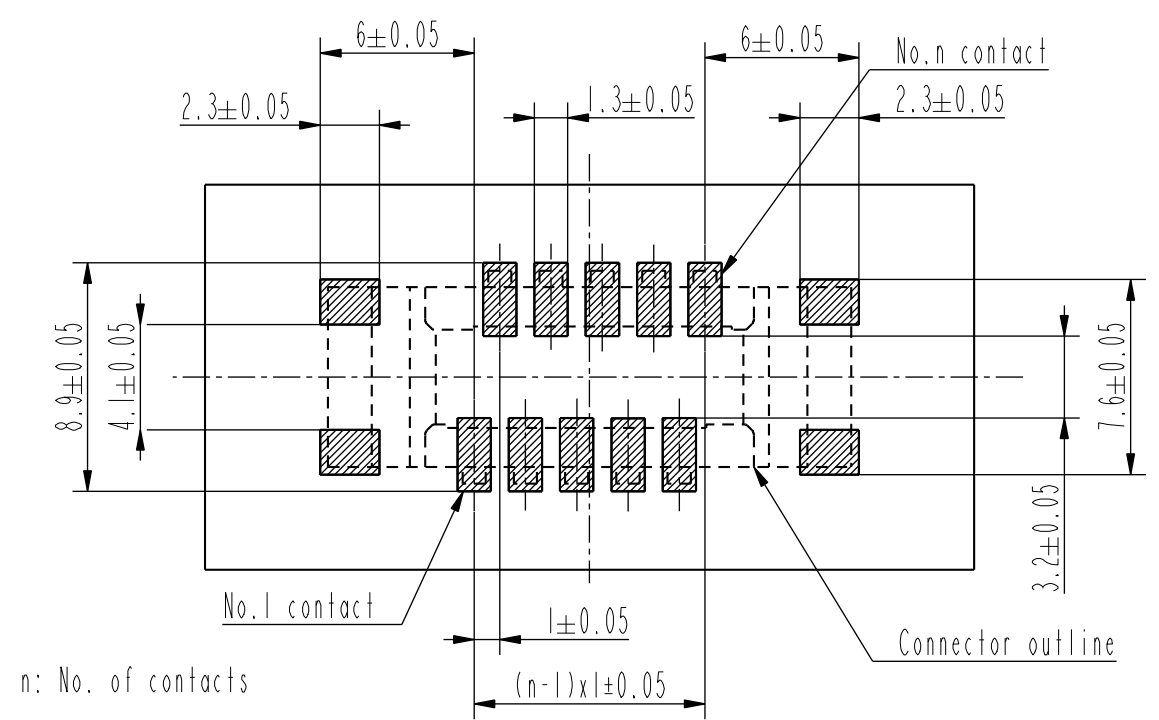
Parts No.	Parts name	Material	Q'ty	Note
1	Housing	Galass filled thermoplastic rated (UL94V-0)	1	Color: Black
2	Contact	Brass	10	Plating Contact area: Gold over nickel Termina area: Gold over nickel
3	Mounting plate	Brass	2	Plating: Tin (Lead free)

NOTE

1. This connector is symmetric for X,Y axis.
As a result, it is possible to locate in emboss cavity even if roteted condition.
2. Coplanarity for contact terminal and mounting plate must be within 0.1.
3. This product meets European Union Directives ans other country regulations as described in GS-22-008.



Recommended PC Board layout (Component side)

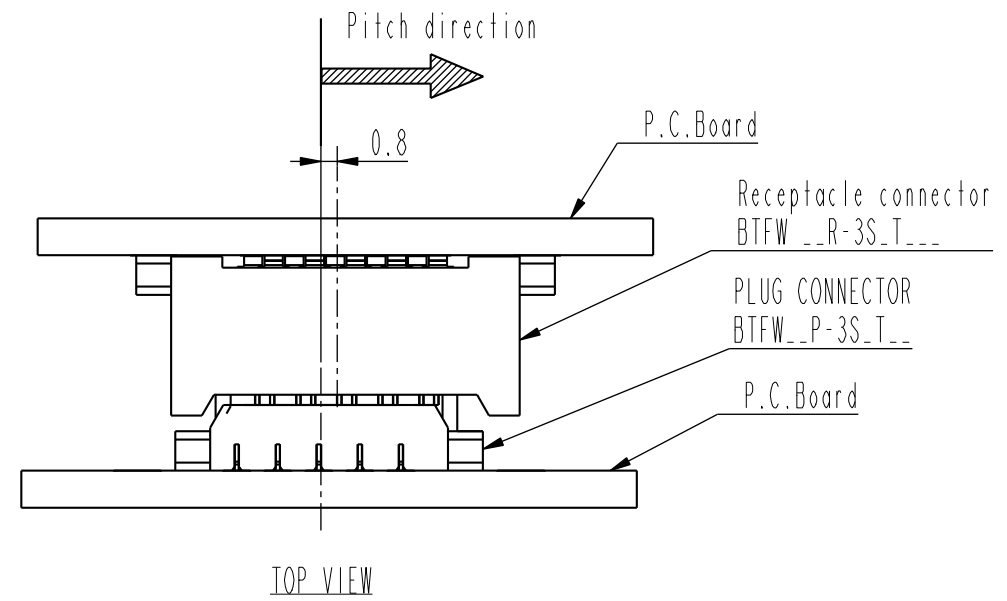
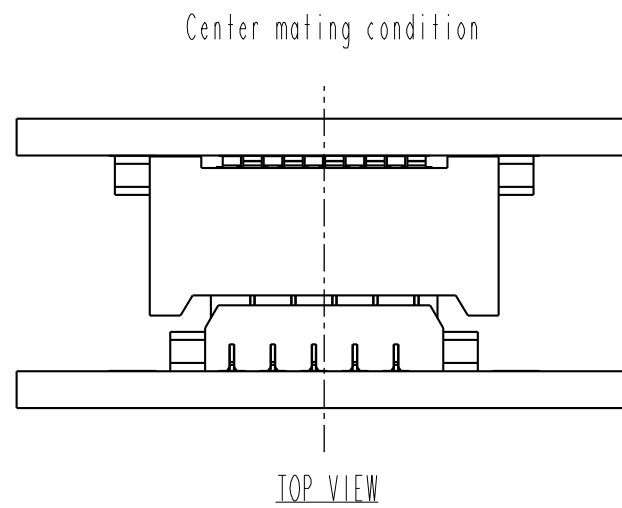
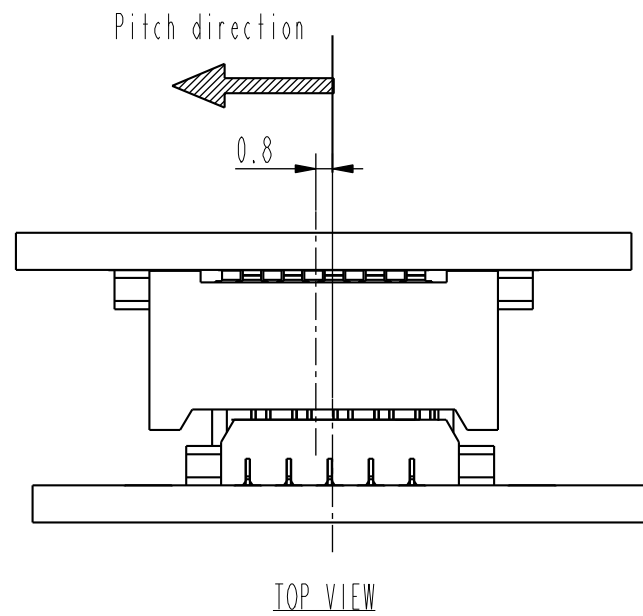
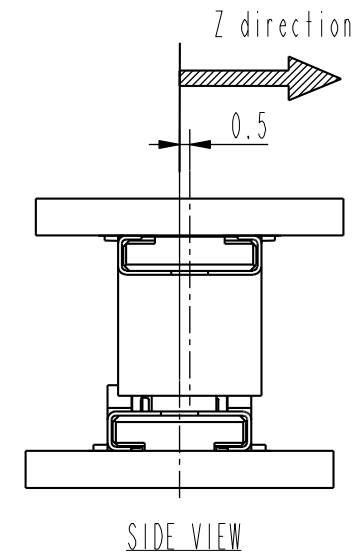
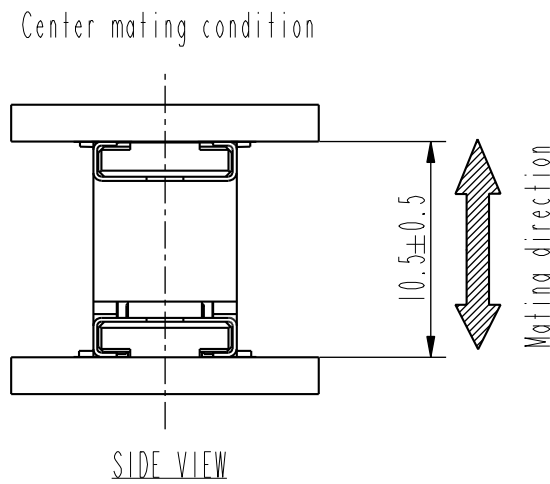
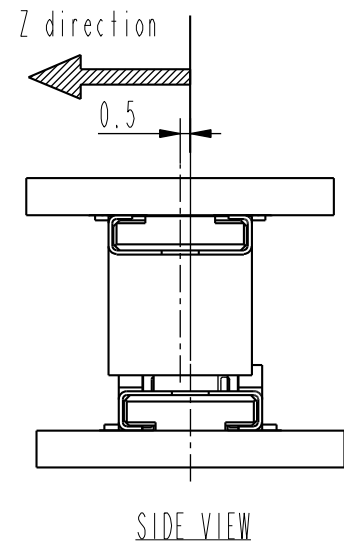


rev	eca no	dr	date
A	-	M.K	Apr.25,'13
.	.	.	.
.	.	.	.
.	.	.	.
.	.	.	.
.	.	.	.

www.fciconnect.com		surface	tolerance std	projection	mm
		✓	TOLERANCES UNLESS OTHERWISE SPECIFIED	⊕	←→
Dr	M. Haya	Apr.25,'13	ANGULAR	0.X	size
Eng	M. Haya	Apr.25,'13	LINEAR	0.XX ± 0.3	A2
Chr	M. Haya	Apr.25,'13	0° ± 3°	0.XXX	Scale
Appr	M. Haya	Apr.25,'13	Product family	590F	4.000
FCJ		TITLE		ECN	
FLOATING BtoB RECEPTACLE CONNECTOR		SPEC REF		10125327	
catalog no		CUSTOMER		sheet 2 of 3	

This figure show the connector mating by making center as criteria.

Mating allowance
 Mating direction : ± 0.5
 Pitch direction : ± 0.8
 Z direction : ± 0.5



www.fciconnect.com		surface <input checked="" type="checkbox"/>	tolerance std	projection	mm
		TOLERANCES UNLESS OTHERWISE SPECIFIED			
Dr	M. Hays	Apr. 25, '13	ANGULAR	0.X	±
Eng	M. Hays	Apr. 25, '13	LINEAR	0.XX	±
Chr	M. Hays	Apr. 25, '13	0° ± °	0.XXX	±
Appr	M. Hays	Apr. 25, '13	Product family		590F
FCI		TITLE		CROSS SECTION OF MATING CONDITION	Rev. A
catalog no		dwg no		10125327	sheet 3 of 3

X-ON Electronics

Largest Supplier of Electrical and Electronic Components

Click to view similar products for [Power to the Board](#) category:

Click to view products by [Amphenol](#) manufacturer:

Other Similar products are found below :

[10131318-08512GRLF](#) [6450171-4](#) [6450552-7](#) [6600323-8](#) [6643429-1](#) [6646040-2](#) [6651939-1](#) [6766604-1](#) [120959-1](#) [1393557-2](#) [1393532-2](#)
[1393532-3](#) [1393532-4](#) [1393557-1](#) [1600812-5](#) [1-6450861-2](#) [1645595-1](#) [1743490-1](#) [1744132-7](#) [1761122-1](#) [1766169-1](#) [1766250-1](#) [18362](#)
[1892109-1](#) [1-967627-6](#) [2226808-1](#) [2-6450860-5](#) [2-6450860-6](#) [2-6450870-0](#) [93003-0502](#) [953552-1](#) [1-6450161-4](#) [1-6450850-6](#) [1645526-2](#) [1-](#)
[6600130-0](#) [1743419-1](#) [1766150-1](#) [2005243-2](#) [211110-1](#) [2-6600130-2](#) [TE34-12-16P-F0](#) [51700-10201602AALF](#) [5-6450830-6](#) [5646956-4](#)
[36662-0005](#) [40585-3000](#) [4-6450830-9](#) [4-6600333-3](#) [51142-0214](#) [10125416-4050LF](#)