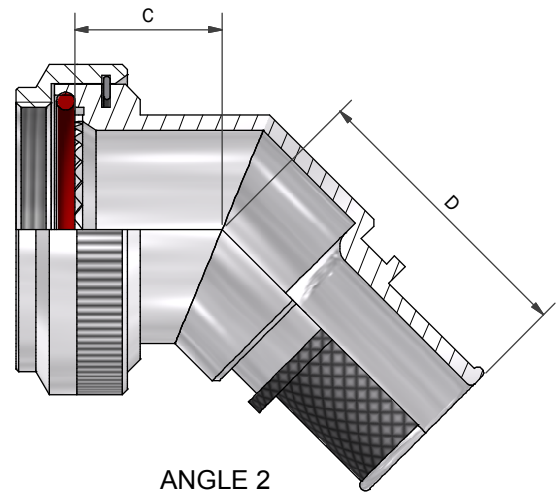
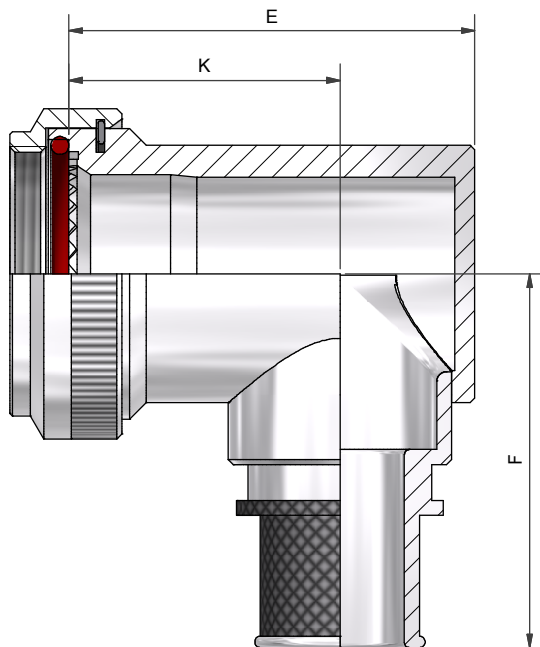


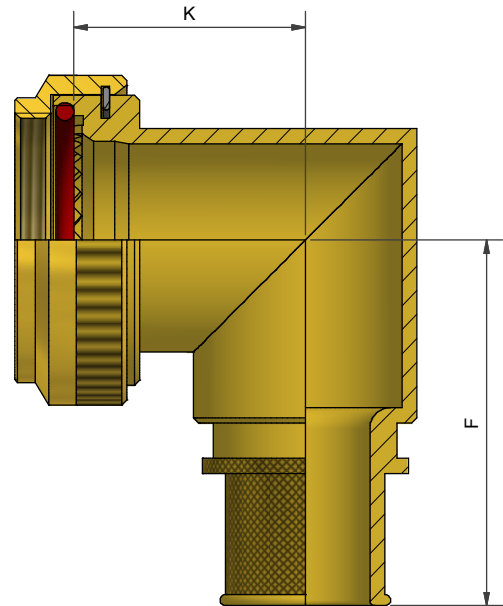
ANGLE 1



ANGLE 2



ANGLE 3
90° BACKSHELL
ALUMINIUM ALLOY



ANGLE 3
90° BACKSHELL
STAINLESS STEEL
NICKEL ALUMINIUM BRONZE

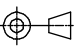


<table border="1"> <tr> <td>DRAWN</td> <td colspan="2">K.K-W</td> <td>DATE</td> <td>18/09/2017</td> </tr> <tr> <td>SALES APPR</td> <td colspan="2"></td> <td></td> <td></td> </tr> <tr> <td>DESIGN APPR</td> <td colspan="2">K.SHEPPARD</td> <td>DATE</td> <td>25/02/2008</td> </tr> <tr> <td>PROD APPR</td> <td colspan="2"></td> <td></td> <td></td> </tr> <tr> <td>QUAL APPR</td> <td colspan="2"></td> <td></td> <td></td> </tr> <tr> <td>ISSUE</td> <td>REV.</td> <td>DCR</td> <td colspan="2"></td> </tr> <tr> <td>4</td> <td></td> <td>6624</td> <td colspan="2"></td> </tr> <tr> <td colspan="2">NCAGE CODE U5792</td> <td>WEIGHT</td> <td colspan="2"></td> </tr> </table>	DRAWN	K.K-W		DATE	18/09/2017	SALES APPR					DESIGN APPR	K.SHEPPARD		DATE	25/02/2008	PROD APPR					QUAL APPR					ISSUE	REV.	DCR			4		6624			NCAGE CODE U5792		WEIGHT			 <p>3RD ANGLE PROJECTION NOT TO SCALE</p>	<p>UNLESS OTHERWISE SPECIFIED ALL DIMENSIONS IN MILLIMETRES GENERAL TOL LINEAR +/-0,25MM ANGULAR +/- 1°</p> <p>MATERIAL SEE PART NUMBER BREAKDOWN</p> <p>FINISH SEE PART NUMBER BREAKDOWN</p>	<p>PART NUMBER: BTH SERIES</p> <p>TITLE: BANDING BACKSHELL</p> <p>ASSY USED ON: MIL-DTL-38999 SERIES III & IV</p>	 <p>Polamco</p>  <p>TE connectivity</p>
DRAWN	K.K-W		DATE	18/09/2017																																								
SALES APPR																																												
DESIGN APPR	K.SHEPPARD		DATE	25/02/2008																																								
PROD APPR																																												
QUAL APPR																																												
ISSUE	REV.	DCR																																										
4		6624																																										
NCAGE CODE U5792		WEIGHT																																										
<p>THIS DRAWING IS COPYRIGHT AND THE PROPERTY OF POLAMCO LTD IT MUST NOT BE COPIED, USED FOR MANUFACTURE OR OTHERWISE DISCLOSED WITHOUT PRIOR WRITTEN CONSENT OF THE COMPANY.</p>			<p>POLAMCO LTD, WESTON LOCK, LOWER BRISTOL ROAD BATH BA2 1EP</p>	<p>SHT 1</p>	<p>DRAWING NO: P10744</p>																																							

TABLE 1

THESE DIMENSIONS APPLY IF BACKSHELL IS STAINLESS STEEL OR NICKEL ALUMINIUM BRONZE

SHELL SIZE	A THREAD	ØB MAX	ØT MIN	C MAX	D MAX	E MAX	F MAX	K ±0,5	F MAX	K ±1,0
09	M12 x 1.0	18,0	6,7	13,1	25,7	25,7	30,5	17,5	32,9	15,9
11	M15 x 1.0	21,0	10,2	13,9	26,9	26,7	32,2	17,5	34,1	17,3
13	M18 x 1.0	24,5	13,5	14,5	27,3	31,2	33,7	20,0	35,3	19,1
15	M22 x 1.0	29,0	16,2	15,5	28,2	37,2	35,2	24,5	37,1	21,2
17	M25 x 1.0	32,5	19,4	16,1	29,0	40,2	36,9	26,7	39,0	22,8
19	M28 x 1.0	35,5	21,8	16,8	29,3	44,7	38,5	27,0	40,8	24,9
21	M31 x 1.0	37,0	25,1	17,1	30,1	49,2	40,1	30,5	42,5	25,6
23	M34 x 1.0	40,0	28,2	17,7	30,5	51,7	41,6	31,5	43,9	27,1
25	M37 x 1.0	43,5	31,4	18,4	31,4	53,2	43,1	28,5	45,3	28,6

TABLE 2

ENTRY SIZE	ØG MIN	ØH MAX
03	4,7	13,9
04	6,3	13,9
05	7,9	15,5
06	9,5	17,2
07	11,1	18,7
08	12,7	20,3
09	14,2	21,9
10	15,8	23,5
11	17,4	25,1
12	19,0	26,7
13	20,6	28,3
14	22,2	29,9
15	23,8	31,5
16	25,4	33,1
17	27,0	34,7
18	28,6	36,3
19	30,2	37,9
20	31,8	39,5
21	33,3	41,1
22	35,0	42,7
23	36,5	44,3
24	38,1	45,9

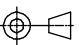


TABLE 3

CODE	MATERIAL / FINISH
1-C	ALUMINIUM / ELECTROLESS NICKEL
1-B	ALUMINIUM / CADMIUM OLIVE DRAB OVER ELECTROLESS NICKEL
1-ZB	ALUMINIUM / ZINC COBALT OLIVE DRAB OVER ELECTROLESS NICKEL
1-ZK	ALUMINIUM / ZINC COBALT BLACK OVER ELECTROLESS NICKEL
1-ZN	ALUMINIUM / ZINC NICKEL BLACK PASSIVATE OVER ELECTROLESS NICKEL
4-J	STAINLESS STEEL 300 SERIES / PASSIVATE
46-J	STAINLESS STEEL 316 / PASSIVATE
2-Z	NICKEL ALUMINIUM BRONZE / SHOT BLAST

LIST NOT EXHAUSTIVE, SEE PLATING TABLE FOR OTHER OPTIONS
NOTE: VITON O-RING SUPPLIED WITH STAINLESS BACKSHELL

BTH1-17-08-1-C-SB

SERIES _____
CONNECTOR INTERFACE _____
ANGLE _____
SHELL SIZE (TABLE 1) _____
ENTRY SIZE (TABLE 2) _____
MATERIAL AND FINISH (TABLE 3) _____
SB - SUPPLIED WITH STANDARD BAND _____
SEE P22048 FOR OPTIONS
(OMIT FOR NO BAND SUPPLIED)

DRAWN K.K-W		DATE 18/09/2017	 3RD ANGLE PROJECTION NOT TO SCALE	PART NUMBER: BTH SERIES		 Polamco	
SALES APPR				TITLE: BANDING BACKSHELL			
DESIGN APPR	K.SHEPPARD	25/02/2008	UNLESS OTHERWISE SPECIFIED ALL DIMENSIONS IN MILLIMETRES GENERAL TOL LINEAR +/-0,25MM ANGULAR +/- 1°	ASSY USED ON: MIL-DTL-38999 SERIES III & IV			 TE connectivity
PROD APPR				THIS DRAWING IS COPYRIGHT AND THE PROPERTY OF POLAMCO LTD IT MUST NOT BE COPIED, USED FOR MANUFACTURE OR OTHERWISE DISCLOSED WITHOUT PRIOR WRITTEN CONSENT OF THE COMPANY.			
QUAL APPR			MATERIAL SEE PART NUMBER BREAKDOWN	DRAWING NO: P10744			
ISSUE 4	REV.	DCR 6624	FINISH SEE PART NUMBER BREAKDOWN	SHT 2			
NCAGE CODE U5792		WEIGHT					

X-ON Electronics

Largest Supplier of Electrical and Electronic Components

Click to view similar products for [Circular MIL Spec Backshells](#) category:

Click to view products by [TE Connectivity](#) manufacturer:

Other Similar products are found below :

[5M2919-3DW](#) [5M2920-3CW](#) [5M2953-1HW](#) [60-036152-022](#) [610HS012M15](#) [M28840/504WA](#) [M28840/805WB](#) [M28840/809WA](#)
[M28840/815WA](#) [M28840/816WA](#) [627AS017M14](#) [62GB5851608S](#) [655HS002NF11](#) [CW3703-000](#) [CW3899-000](#) [M85049/10-134S](#)
[M85049/10-17S](#) [M85049/10-33S](#) [M85049/10-94W](#) [M85049/11-09W](#) [M85049/11-28N](#) [M85049/11-37N](#) [M85049/11-53N](#) [M85049/11-63N](#)
[M85049/118-20W](#) [M85049/124-23W](#) [M85049/124S09W](#) [M85049/126S23W](#) [M850491712W02](#) [M85049/1720N04B](#) [M85049/1817N06](#)
[M850491819W03](#) [M85049/1821W05C](#) [M85049/1825W06C](#) [M85049/1919N05](#) [M85049/1919W04](#) [M850491919W07](#) [M85049/23-59W](#)
[M85049/23-74W](#) [M8504924-5W](#) [M85049/24-71N](#) [M85049/25-47N](#) [M85049/25-94W](#) [M85049/27S12N](#) [M8504938-13S](#) [M85049/38-19S](#)
[M85049/39-11S](#) [M85049/39-17S](#) [M85049/39-9S](#) [M85049/3W4A2](#)