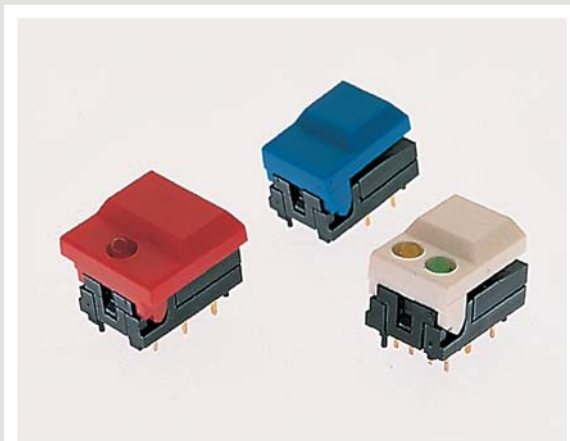




# SERIES 5500 SWITCHES

## PUSHBUTTON SWITCHES



### FEATURES & BENEFITS

- ▶ Single or dual LED options
- ▶ Hinged pushbutton design
- ▶ High operating life

### APPLICATIONS/MARKETS

- ▶ Telecommunications
- ▶ Networking
- ▶ Computers/servers
- ▶ Performance audio
- ▶ Instrumentation
- ▶ Low power on/off designs
- ▶ External hard drives and modems

### SPECIFICATIONS

Contact Ratings:	300mA @ 12 VDC
Life Expectancy:	500,000 cycles typical
Contact Resistance:	50mΩ max. typical @ 2-4 VDC, 100mA
Insulation Resistance:	50 MΩ min.
Dielectric Strength:	>1,000 V rms at sea level
Actuation Force:	255 grams max.
Operating Temperature:	-25°C to +65°C

### MATERIALS

Housing:	Nylon
Cap:	ABS
Contacts:	Gold over nickel over copper alloy
Terminals:	Gold over nickel over copper alloy



### HOW TO ORDER

<b>SERIES</b> <b>55</b>	<b>CAP STYLE</b> [ ] [ ] 01 = Small 11 = Large	<b>MECHANICAL CONFIGURATION</b> <b>M</b> M = Momentary	<b>CAP COLOR</b> [ ] [ ] [ ] BLK = Black GRY = Grey YEL = Yellow BLU = Blue RED = Red ORG = Orange GRN = Green WHT = White	<b>1st LED COLOR</b> (1-LED cap styles only) [ ] [ ] [ ] X = No LED RED = Red LED GRN = Green LED YEL = Yellow LED	<b>2nd LED COLOR</b> (2-LED cap styles only) [ ] [ ] [ ] RED = Red LED GRN = Green LED YEL = Yellow LED
----------------------------	---	--	---	--	--



### Example Ordering Number

55-11-M-BLU  
55-01-M-WHT-RED, GRN

Specifications subject to change without notice.

TACT SWITCHES

NAVIGATION SWITCHES

PUSHBUTTON SWITCHES

TOGGLE SWITCHES

ROCKER SWITCHES

SLIDE SWITCHES

SNAP-ACTION SWITCHES

DIP SWITCHES

KEYLOCK SWITCHES

ROTARY SWITCHES

DETECTOR SWITCHES

CAP OPTIONS

# SERIES 5500 SWITCHES

## PUSHBUTTON SWITCHES

TACT SWITCHES

NAVIGATION SWITCHES

PUSHBUTTON SWITCHES

TOGGLE SWITCHES

ROCKER SWITCHES

SLIDE SWITCHES

SNAP-ACTION SWITCHES

DIP SWITCHES

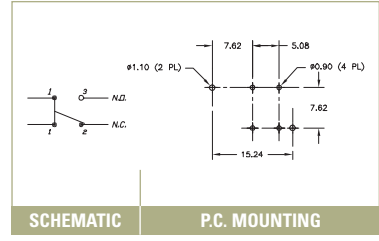
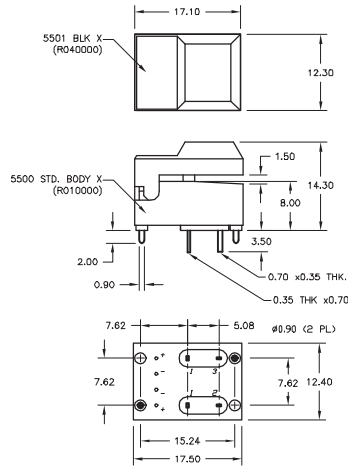
KEYLOCK SWITCHES

ROTARY SWITCHES

DETECTOR SWITCHES

CAP OPTIONS

### 5501

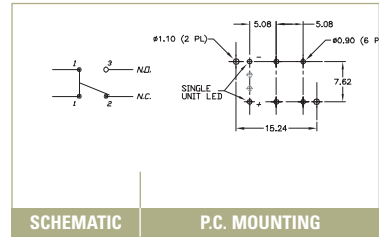
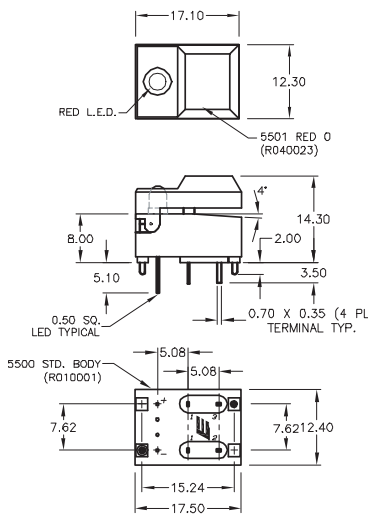


SCHEMATIC

P.C. MOUNTING

### 5501

1 LEDS

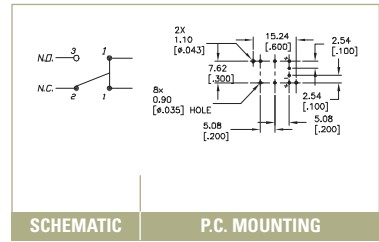
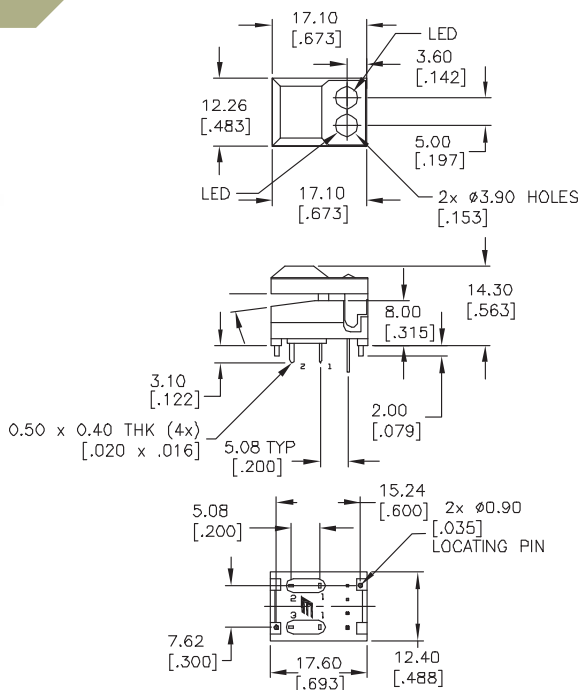


SCHEMATIC

P.C. MOUNTING

### 5501

2 LEDS

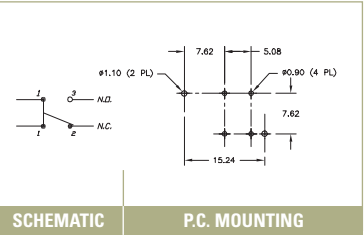
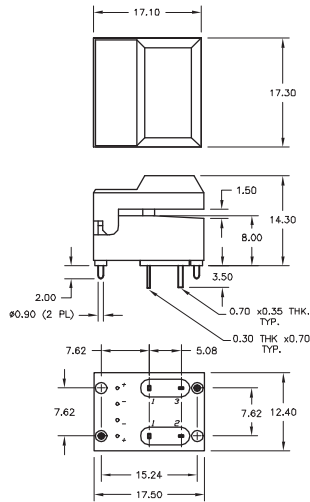


SCHEMATIC

P.C. MOUNTING



### 5511



TACT SWITCHES

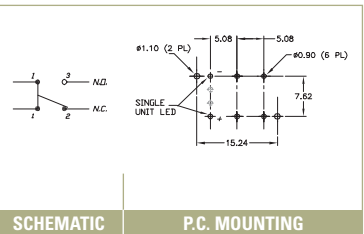
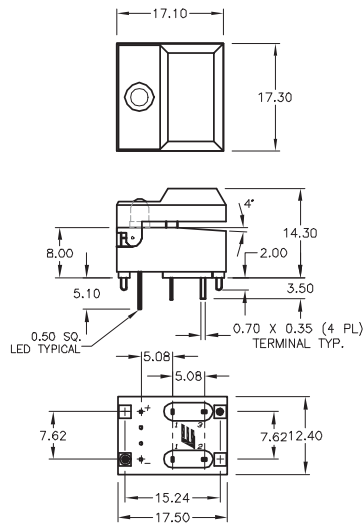
NAVIGATION SWITCHES

PUSHBUTTON SWITCHES

TOGGLE SWITCHES

### 5511

1 LEDS



ROCKER SWITCHES

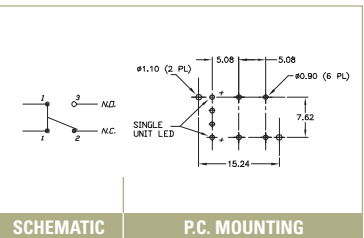
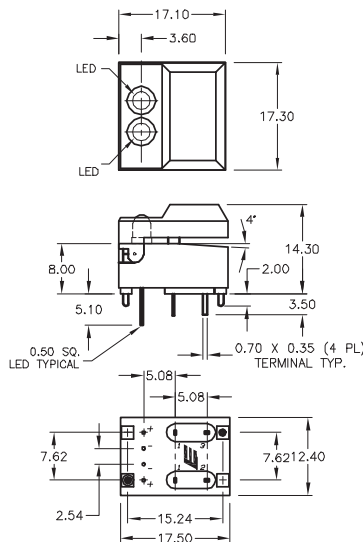
SLIDE SWITCHES

SNAP-ACTION SWITCHES

DIP SWITCHES

### 5511

2 LEDS



KEYLOCK SWITCHES

ROTARY SWITCHES

DETECTOR SWITCHES

CAP OPTIONS

## X-ON Electronics

Largest Supplier of Electrical and Electronic Components

*Click to view similar products for [Pushbutton Switches](#) category:*

*Click to view products by [E-Switch](#) manufacturer:*

Other Similar products are found below :

[LW1L-M1C10V-A](#) [LW2L-A1C20M-GD](#) [LW2L-M1C20M-A](#) [60324L](#) [M7E-HRN2](#) [67021K512](#) [67081K512X](#) [701PB580](#) [719-5504-000](#)  
[MDPSSGLFS](#) [810KSV30B](#) [MML23KA3AC05K-001](#) [MML23KW3AA01W](#) [8418K2](#) [8646AB6X718UL](#) [8646ABUL](#) [FSDWH](#) [9001KXRK](#)  
[9001T8BK](#) [9533CD4+U574+U4922](#) [1203MRA](#) [A22EM01S](#) [A595](#) [1202A6](#) [12037A2ULCSA](#) [1203A2UL](#) [ABD122N-B](#) [1211390004](#)  
[ABN111-Y](#) [1211500044](#) [1211580012](#) [1212MRA](#) [1232A6NF](#) [RA3CSH6A](#) [1241.1183.7047](#) [1241.2511](#) [1241.3428](#) [1223A2ULCSA](#)  
[1223MRA](#) [1232AX2119](#) [1241.1183.8000](#) [1241.1183.8029](#) [1241.2506](#) [1241.2606](#) [12MA6](#) [1301940184](#) [RELBARF6X10\(PLASTIC\)](#)  
[13435AG](#) [13440AD2G25X822+U4546](#) [13445A4GX768](#)