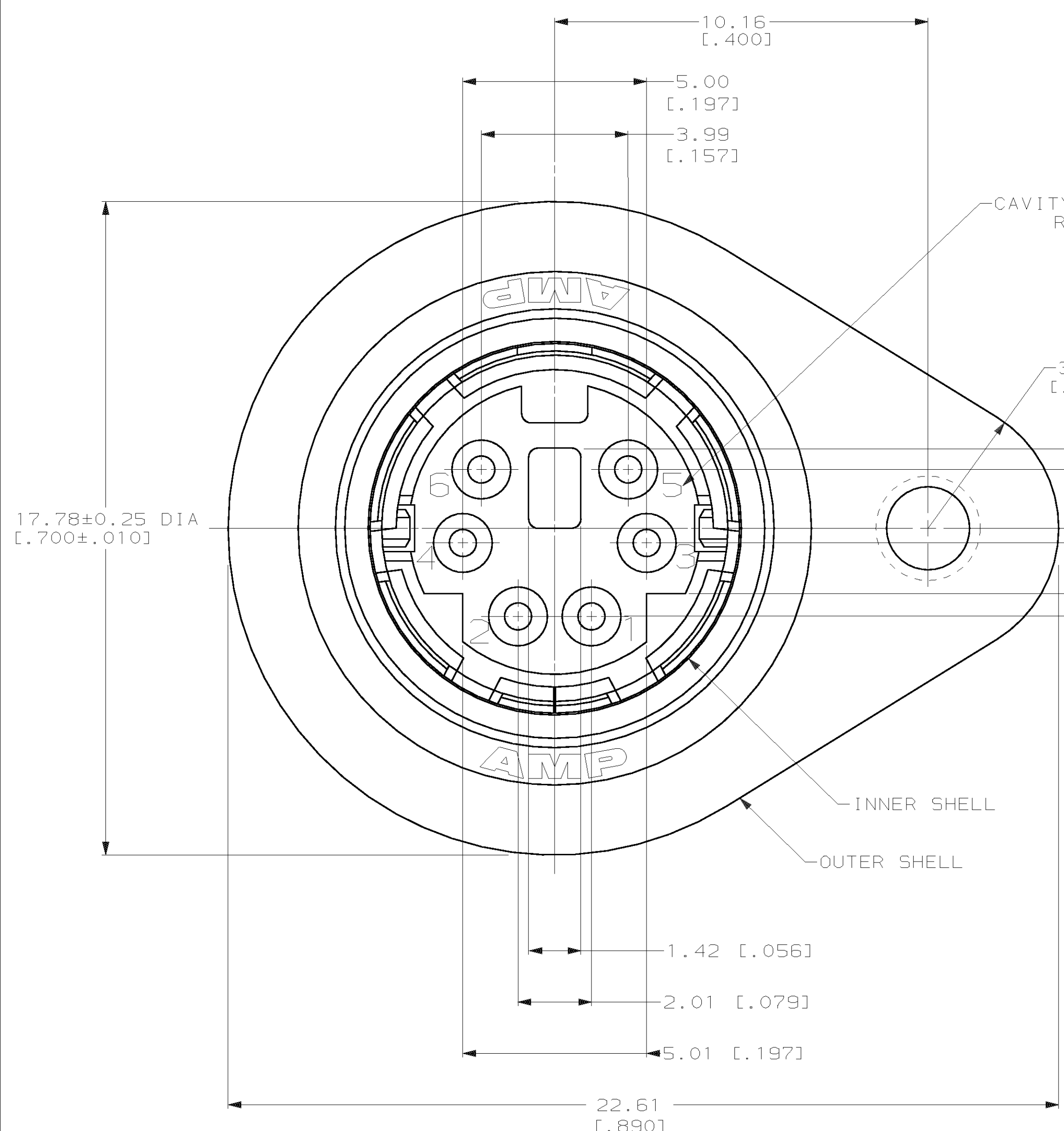
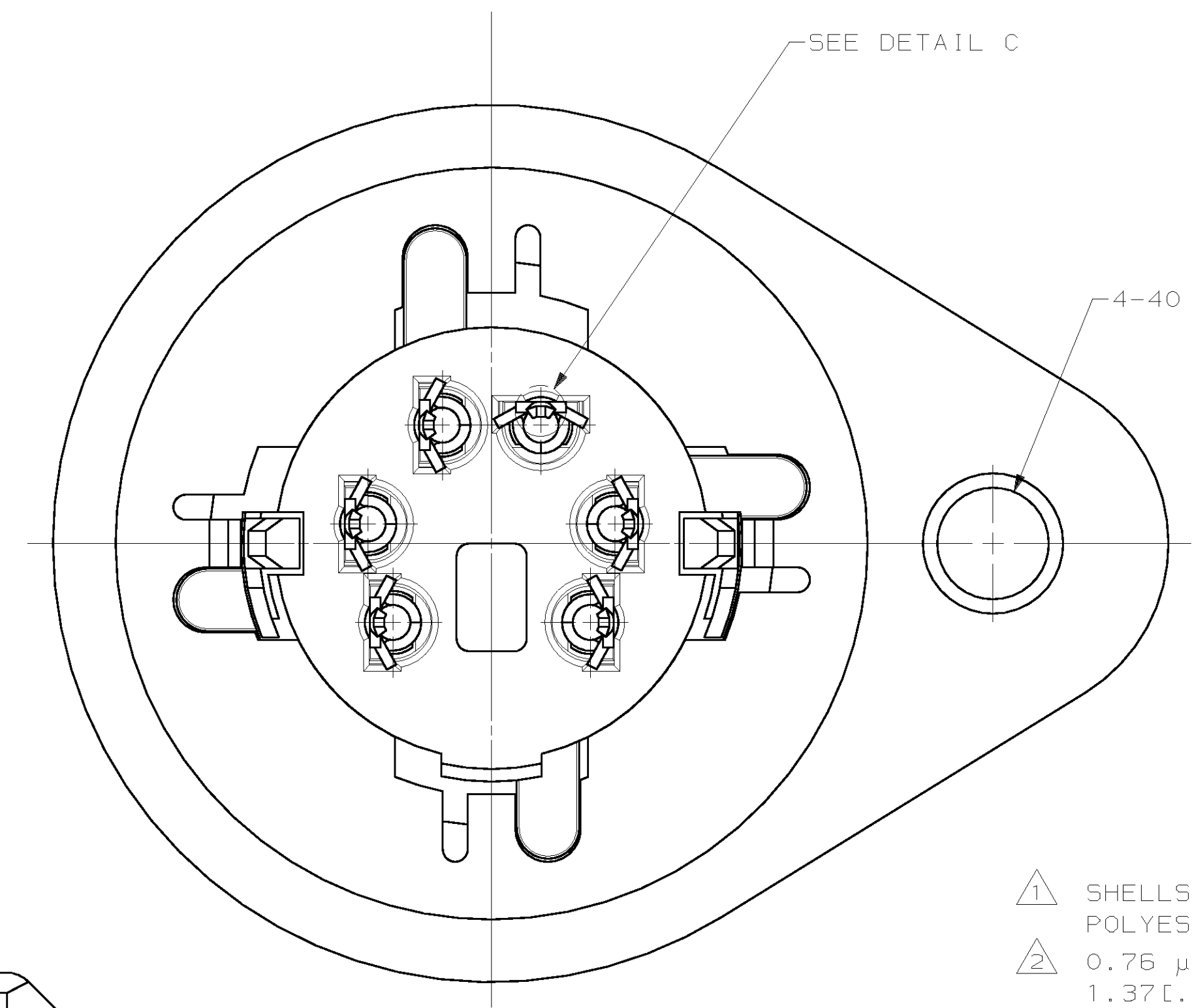


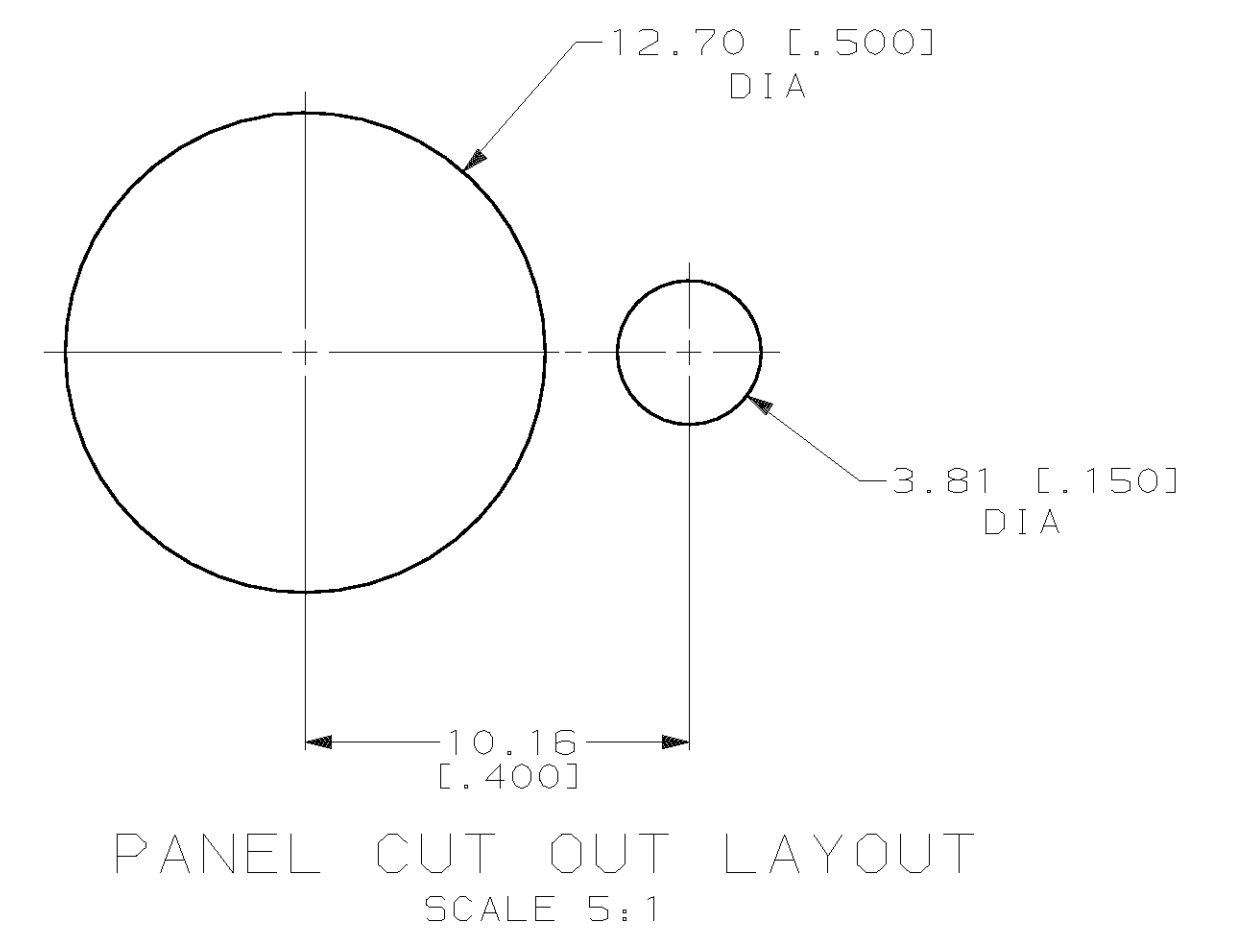
LOC		DIST		P		F		ZONE		LTR		REVISIONS		DATE	APPD	
GP	00												DESCRIPTION			
													D	REV PER EC 0513-0177-03	23 MAY 93	CR



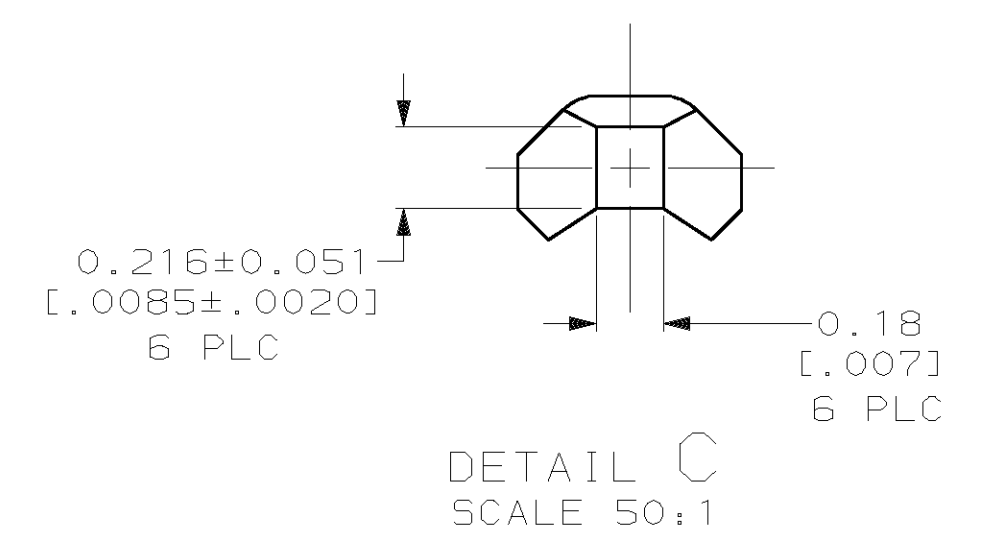
CAVITY NUMBERS FOR REF ONLY



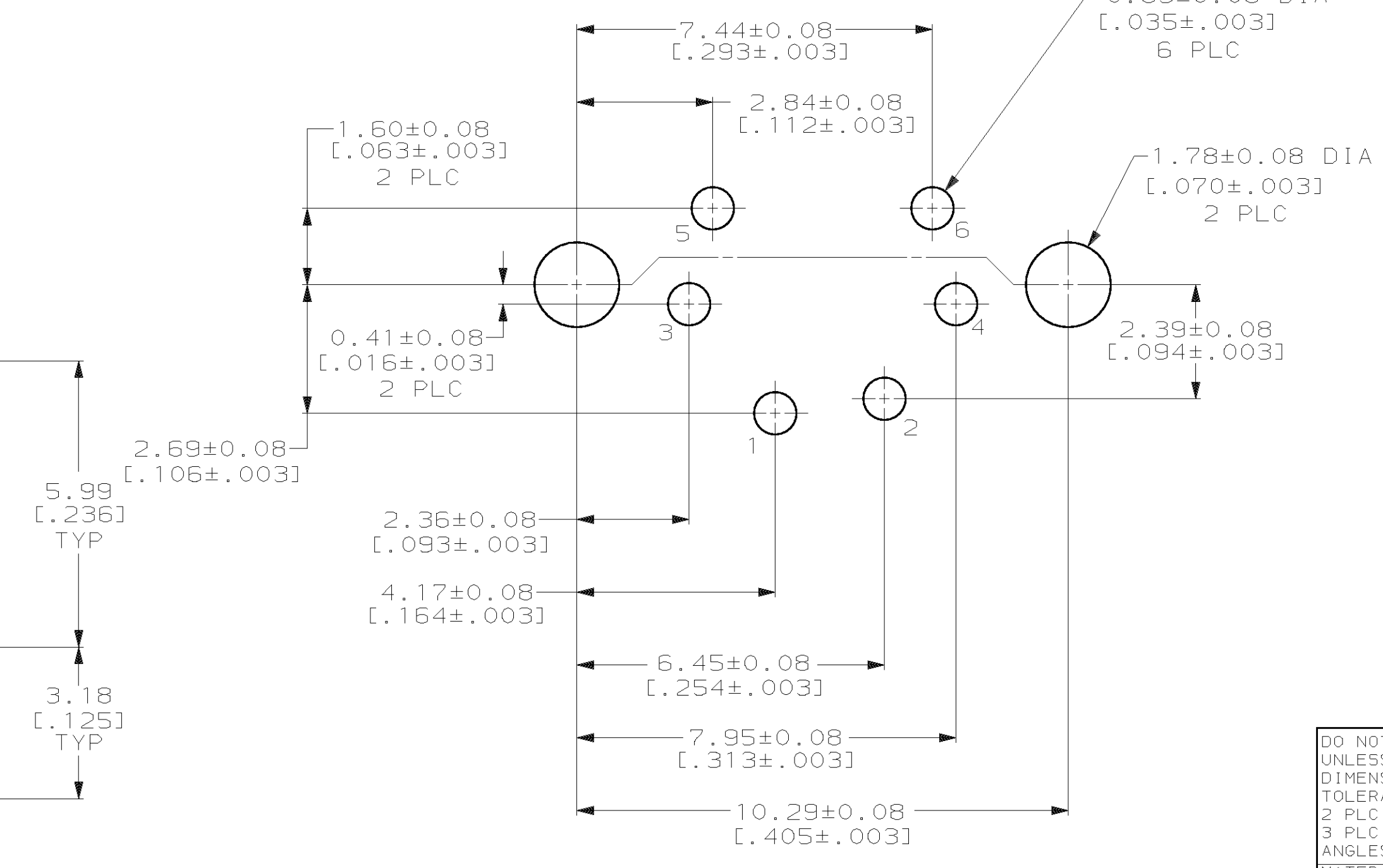
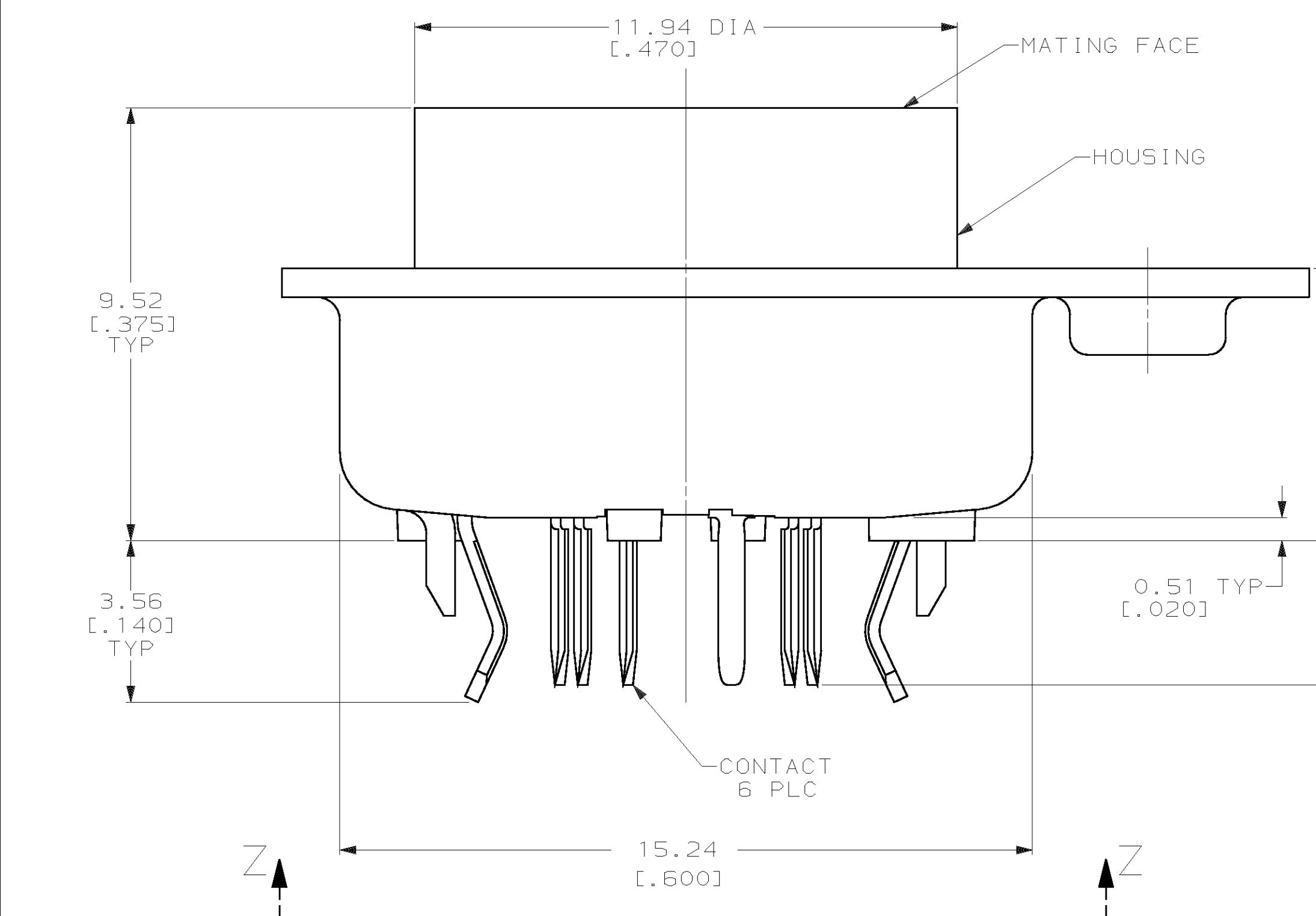
VIEW Z-Z



PANEL CUT OUT LAYOUT  
SCALE 5:1



DETAIL C  
SCALE 50:1



RECOMMENDED PC BOARD LAYOUT  
BOTTOM VIEW

- ① SHELLS: BRASS; CONTACTS: PHOSPHOR BRONZE; HOUSING: POLYESTER, UL 94V-0 RATED, BLACK.
- ② 0.76 μm [L.000030] MIN GOLD ON MATING END FOR A LENGTH OF 1.37 [L.054] MIN ON INSIDE, 2.54 μm [L.000100] MIN TIN-LEAD FOR A LENGTH OF 3.30 [L.130] MIN FROM OPPOSITE END, ALL OVER 1.27 μm [L.000050] MIN NICKEL.
- ③ 0.38 μm [L.000015] MIN GOLD ON MATING END FOR A LENGTH OF 1.37 [L.054] MIN ON INSIDE, 2.54 μm [L.000100] MIN TIN-LEAD FOR A LENGTH OF 3.30 [L.130] MIN FROM OPPOSITE END, ALL OVER 1.27 μm [L.000050] MIN NICKEL.
- ④ 2.54 μm [L.000100] MIN TIN-LEAD OVER 1.27 μm [L.000050] MIN NICKEL.
- ⑤ GOLD PLATING PER MIL-G-45204, TIN PLATING PER MIL-T-10727, NICKEL PLATING PER QQ-N-290, COPPER PLATING PER MIL-C-14550.
- ⑥ RECEPTACLE MATES WITH 6 PIN, 8.99±0.10 [L.354±.004] DIAMETER PLUG.
- ⑦ 3.81 μm [L.000150] MIN TIN-LEAD OVER 2.54 μm [L.000100] MIN COPPER.
- ⑧ 2.54 μm [L.000100] MIN TIN OVER 1.27 μm [L.000050] MIN NICKEL.
- ⑨ 3.81 μm [L.000150] MIN TIN OVER 2.54 μm [L.000100] MIN COPPER.

	⑨	⑧	⑤	750131-3
	⑤	⑤	⑤	750131-2
OBSOLETE	⑦	④	③	750131-1
	OUTER SHIELD FINISH	INNER SHELL FINISH	CONTACT FINISH	PART NUMBER

DO NOT SCALE PRINT. DIMENSIONS SPECIFIED IN INCHES. TOLERANCES: ON: 2 PLC DEC ± 0.13 (L.005) 3 PLC DEC ± - ANGLES ± -	DR 03/05/90 W.G.LENKER CHK 3-12-90 R STONE APPD 3-12-90 R WHYNE APPD 3-16-90 J FULPONI	AMP INCORPORATED Harrisburg, Pa. 17105			
MATERIAL	PRODUCT SPEC	NAME RECEPTACLE ASSEMBLY, 6 POSITION, LOW FLANGE, SHIELDED, VERTICAL MOUNT, MINIATURE CIRCULAR DIN			
FINISH	APPLICATION SPEC	SIZE D	CAGE CODE 00779	DRAWING NO 750131	
SEE TABLE		SCALE 10:1		SHEET 1 OF 1	

## X-ON Electronics

Largest Supplier of Electrical and Electronic Components

*Click to view similar products for [Circular DIN Connectors](#) category:*

*Click to view products by [TE Connectivity](#) manufacturer:*

Other Similar products are found below :

[CTV06RQF-25-8SA-LC](#) [CTV06RQF-25-8S-LC](#) [CTV06RQW-25-8SB-LC](#) [CTV06RW-25-20P](#) [CTV06RW-25-20PA](#) [CTV06RW-25-20PB](#)  
[CTV06RW-25-20PE-LC](#) [CTV06RW-25-20SB](#) [CTV06RW-25-20SE](#) [CTV07RW-17-8S\(506\)](#) [CTVP00RW-19-32S\(506\)](#) [CTVP00RW-9-35S\(506\)](#) [M83723/71R20416](#) [M83723/71R22196](#) [M83723/71W2039N](#) [M83723/71W24196](#) [M83723/71W2419N](#) [M83723/72A1404N-LC](#)  
[M83723/72R1203N](#) [M83723/72W20418](#) [M83723/72W22126](#) [M83723/72W22556](#) [M83723/72W2419N](#) [M83723/72W2461N](#)  
[M83723/73R2028N](#) [M83723/73R2039N](#) [M83723/73W1412N](#) [M83723/73W2039N](#) [M83723/74R1624N](#) [M83723/74R1808N](#)  
[M83723/74R2212N](#) [M83723/74W1203N](#) [M83723/74W1412N](#) [M83723/74W20416](#) [M83723/74W2041N](#) [M83723/75R10058](#)  
[M83723/75W2232N](#) [M83723/76R14157](#) [M83723/76R20256](#) [M83723/76W1808N](#) [M83723/76W2016N](#) [M83723/76W2461N](#)  
[M83723/77W2016N](#) [M83723/78R22327](#) [M83723/78W2212N](#) [M83723/78W22556](#) [M85049/50-5F](#) [D38999/20FF11AC](#) [D38999/20FJ20BB](#)  
[D38999/20FJ20SC](#)