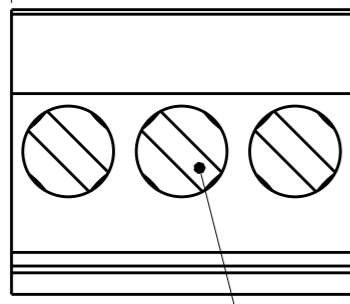


THIS DRAWING IS UNPUBLISHED. RELEASED FOR PUBLICATION 20
 © COPYRIGHT 20 BY - ALL RIGHTS RESERVED.

REVISIONS				
P	LTR	DESCRIPTION	DATE	APVD
	A2	REVISED PER ECO-13-017507	08NOV2013	KH MB

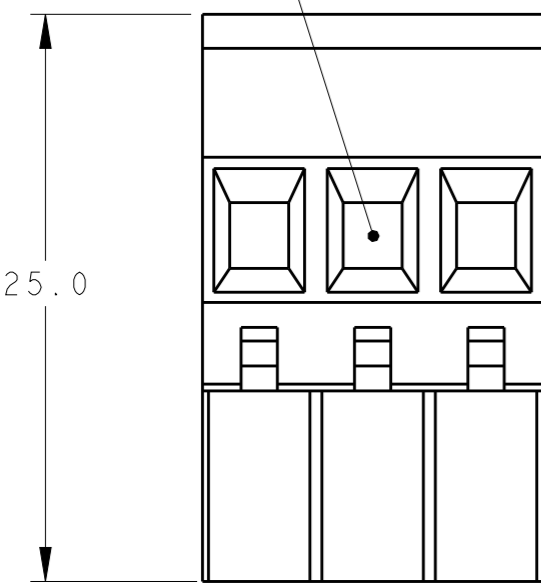
A



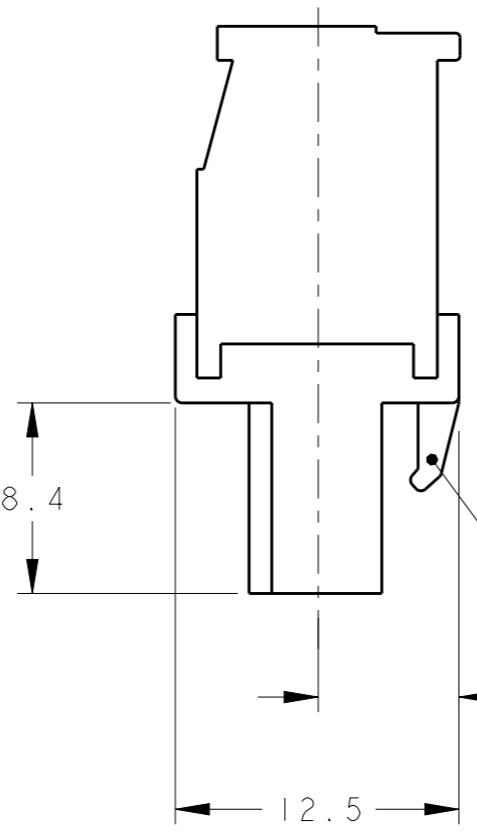
CLAMPING SCREW

- 1 MATERIALS AND FINISH
 HOUSING: PA 6-6, UL 94-V0, COLOR: BLACK.
 CLAMP: BRASS, NICKEL PLATED.
 CONTACT SPRING : PHOSPHOR BRONZE, TIN PLATED.
 CLAMPING SCREW: M3, BRASS, NICKEL PLATED.
- 2. WIRE SIZE RANGE: 12 - 30 AWG
- 3 NOT CUMULATIVE TOLERANCE.
- 4 INK MARKING: WHITE COLOR
 NUMERICAL SEQUENCE: FROM LEFT TO RIGHT.
- 5 MECHANICAL CHARACTERISTICS:
 INSERTION FORCE: MAX 3N PER POLE
 WITHDRAWL FORCE: MIN 1.5N PER POLE
- 6 ELECTRICAL CHARACTERISTICS:
 LISTED UNDER UL E60677
 VOLTAGE RATING: 300 VOLTS (MAX)
 AMPERAGE RATING: 15 AMPS (MAX)

WIRE ENTRY



25.0



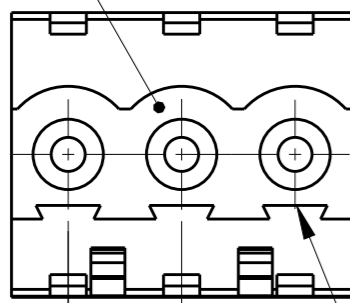
RETENTION LATCH

8.4

6.200 REF

12.5

MATING FACE



POLARIZATION KEY SLOT

2.5 REF TYP

5.00±0.05 TYP



SEE DETAIL N	30	6	3-1546118-6
SEE DETAIL M	110	22	3-1546118-2
-	125	25	2-1546118-5
-	120	24	2-1546118-4
-	115	23	2-1546118-3
-	110	22	2-1546118-2
-	105	21	2-1546118-1
-	100	20	2-1546118-0
-	95	19	1-1546118-9
-	90	18	1-1546118-8
-	85	17	1-1546118-7
-	80	16	1-1546118-6
-	75	15	1-1546118-5
-	70	14	1-1546118-4
-	65	13	1-1546118-3
-	60	12	1-1546118-2
-	55	11	1-1546118-1
-	50	10	1-1546118-0
-	45	9	1546118-9
-	40	8	1546118-8
-	35	7	1546118-7
-	30	6	1546118-6
-	25	5	1546118-5
-	20	4	1546118-4
-	15	3	1546118-3
-	10	2	1546118-2

MARKING

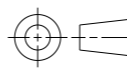
A

NO OF POSN

PART NUMBER

THIS DRAWING IS A CONTROLLED DOCUMENT.

DIMENSIONS:
mm



TOLERANCES UNLESS OTHERWISE SPECIFIED:

- 0 PLC ±-
- 1 PLC ±.3
- 2 PLC ±.25
- 3 PLC ±-
- 4 PLC ±-
- ANGLES ±2

MATERIAL



FINISH



DWN S. WELDON 26AUG2002

CHK C. RICHARD 26AUG2002

APVD C. RICHARD 26AUG2002

PRODUCT SPEC

APPLICATION SPEC

WEIGHT

CUSTOMER DRAWING



TE Connectivity

NAME
 TERMINAL BLOCK VERTICAL PLUG
 STACKING LEFT HAND
 5.0mm PITCH

SIZE	CAGE CODE	DRAWING NO	RESTRICTED TO
A3	00779	C-1546118	-

SCALE 3:1 SHEET 1 OF 2 REV A2

THIS DRAWING IS UNPUBLISHED.

RELEASED FOR PUBLICATION

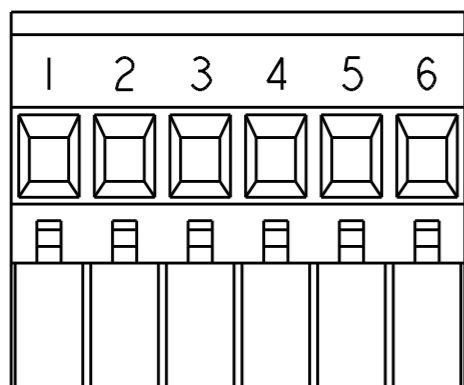
20

© COPYRIGHT 20 BY -

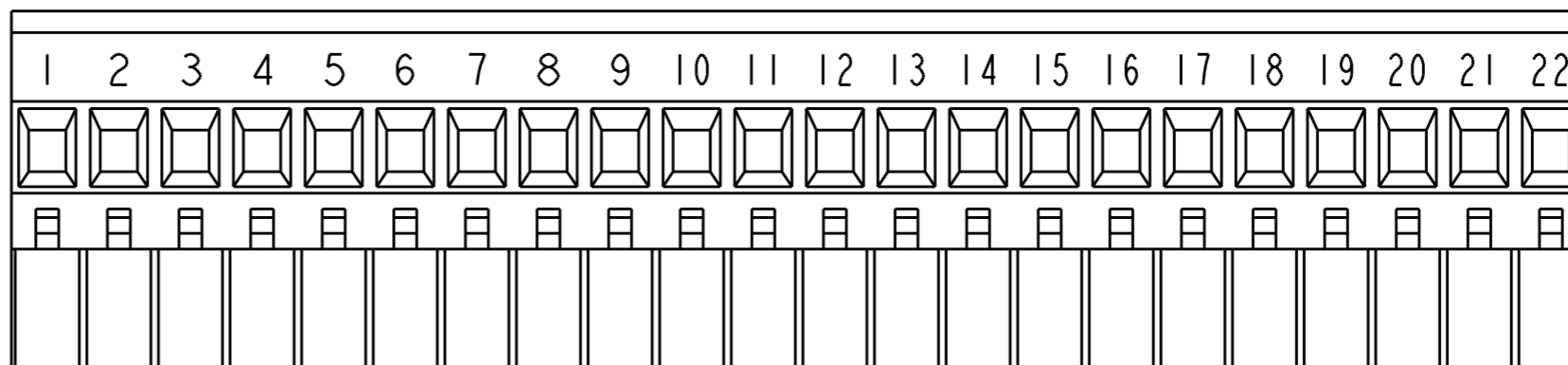
ALL RIGHTS RESERVED.

REVISIONS

P	LTR	DESCRIPTION	DATE	DWN	APVD
-		SEE SHEET 1	-	-	-




DETAIL N
SCALE 2:1 



DETAIL M
SCALE 2:1 

THIS DRAWING IS A CONTROLLED DOCUMENT.

DIMENSIONS: mm	TOLERANCES UNLESS OTHERWISE SPECIFIED:
	0 PLC ±-
	1 PLC ±.3
	2 PLC ±.25
	3 PLC ±-
	4 PLC ±-
	ANGLES ±2
MATERIAL	FINISH
-	-
-	-

DWN	S. WELDON	26AUG2002
CHK	C. RICHARD	26AUG2002
APVD	C. RICHARD	26AUG2002
PRODUCT SPEC	-	
APPLICATION SPEC	-	
WEIGHT	-	
CUSTOMER DRAWING		



NAME				RESTRICTED TO	
TERMINAL BLOCK VERTICAL PLUG STACKING LEFT HAND 5.0mm PITCH				-	
SIZE	CAGE CODE	DRAWING NO			
A3	00779	C-1546118			
SCALE		SHEET	OF	REV	
3:1		2	2	A2	

X-ON Electronics

Largest Supplier of Electrical and Electronic Components

Click to view similar products for [Pluggable Terminal Blocks](#) category:

Click to view products by [TE Connectivity](#) manufacturer:

Other Similar products are found below :

[57.404.7553](#) [57.504.0053.7](#) [57.510.0053](#) [57.910.6153](#) [01.112.1453](#) [CTB932VE/6](#) [MC 1.5/ 6-ST-3.5 GY AU](#) [ET02015000J0G](#) [734-104](#) [734-302](#) [734-304](#) [8-141-P](#) [FKCT 2.5/ 3-ST KMGY](#) [860505](#) [860508](#) [860516](#) [860810](#) [861908](#) [GBPACX-12](#) [93.731.4953.0](#) [PV05-5,08-K](#) [PVP02-5,00](#) [PVP04-3,50](#) [PVS02-5,00](#) [1-1986160-3](#) [H-10](#) [1546228-5](#) [ELFH09150](#) [ELFH16150](#) [ELFP03110](#) [ELFT06250](#) [ELFT07250](#) [ELVF09400](#) [ELVP03100](#) [ELXH03100](#) [ELXH071G0E](#) [ELXP041G0](#) [ELXT046G0](#) [1700101](#) [1700410](#) [1700425](#) [1703176](#) [1705229](#) [1710175](#) [1714537](#) [1717806](#) [1719600](#) [1729386](#) [1734692](#) [1734795](#)