

Phase sequence and phase loss relay BZF-3k



www.mikrobest.pl

Relay for monitoring 1 relay output DPDT



General characteristics

- Electronic relay
- 1 relay output with 2 changeover contacts (DPDT)
- Green LED for relay state
- Automatic resetting
- Mounting 11-pin socket

Order code	Monitoring terminals	Voltage	Qty per pkg
BZF-3k	L1, L2, L3	V 3 x 400/230 V 50Hz	1

Function

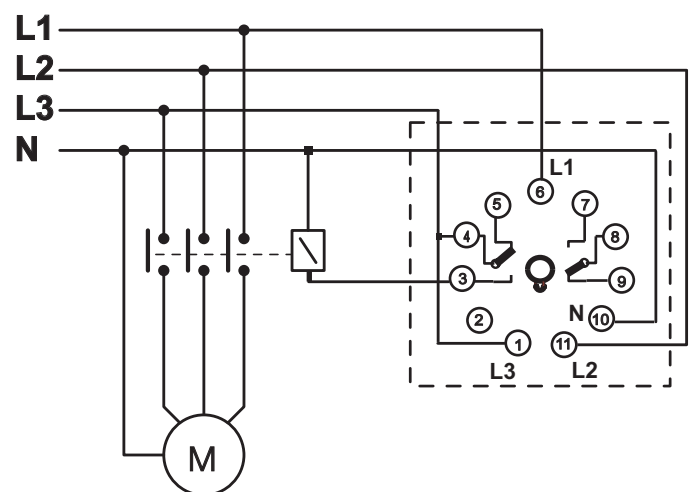
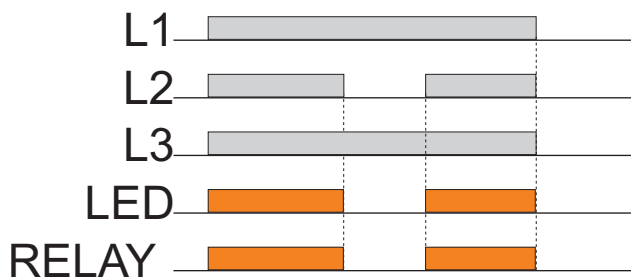
Phase sequence and phase loss

The voltage to control L1, L2, L3 is connected to 6, 11, 1 terminals.
Neutral wire N is connected to 10 terminal.
The green LED flashes when all phases and neutral are correct.
When LED flashes internal relay is energised.
Internal relay and LED are off when on one phase voltage is below 180V.
Return to normal voltage switches on internal relay and LED immediately.

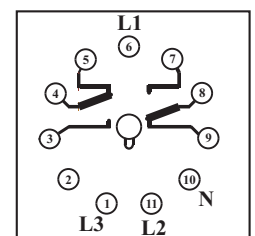
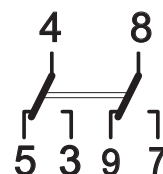
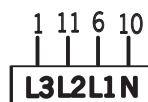
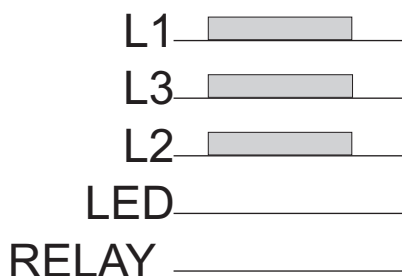
Technical parameters

Supply terminals: 3 x 400/230 V; 50Hz
Consumption: max 15VA
Current rating: 8A/250V AC1
8A/24V DC1
Protection degree: IP20
Dimensions: 95 x 35 x 35mm
Operating temperature: -15...+60 deg.C

Phase loss



Phase sequence



X-ON Electronics

Largest Supplier of Electrical and Electronic Components

Click to view similar products for [General Purpose Relays](#) category:

Click to view products by [Mikrobest](#) manufacturer:

Other Similar products are found below :

[APF30318](#) [JVN1AF-4.5V-F](#) [PCN-105D3MHZ](#) [5JO-10000S-SIL](#) [5JO-1000CD-SIL](#) [5JO-400CD-SIL](#) [LY2S-AC220/240](#) [LYQ20DC12](#)
[6031007G](#) [6131406HQ](#) [6-1393099-3](#) [6-1393099-8](#) [6-1393122-4](#) [6-1393123-2](#) [6-1393767-1](#) [6-1393843-7](#) [6-1415012-1](#) [6-1419102-2](#) [6-](#)
[1423698-4](#) [6-1608051-6](#) [6-1608067-0](#) [6-1616170-6](#) [6-1616248-2](#) [6-1616282-3](#) [6-1616348-2](#) [6-1616350-1](#) [6-1616350-8](#) [6-1616358-7](#) [6-](#)
[1616359-9](#) [6-1616360-9](#) [6-1616931-6](#) [6-1617039-1](#) [6-1617052-1](#) [6-1617090-2](#) [6-1617090-5](#) [6-1617347-5](#) [6-1617353-3](#) [6-1617801-8](#) [6-](#)
[1617802-2](#) [6-1618107-9](#) [6-1618248-4](#) [M83536/1-027M](#) [CX-4014](#) [MAHC-5494](#) [MAVCD-5419-6](#) [703XCX-120A](#) [7-1393100-5](#) [7-1393111-7](#)
[7-1393144-5](#) [7-1393767-8](#)