

NOTES:

1. ELECTRICAL:

- VOLTAGE RATING PER IEC 60664: 300V
- VOLTAGE RATING PER UL: 300V
- CURRENT: 8A

2. TEMP RATING: -25° TO +80°C

3. PROTECTION: IP67 (WHEN MATED)

4. COUPLING THREAD" 7/8-16

5. AGENCY:

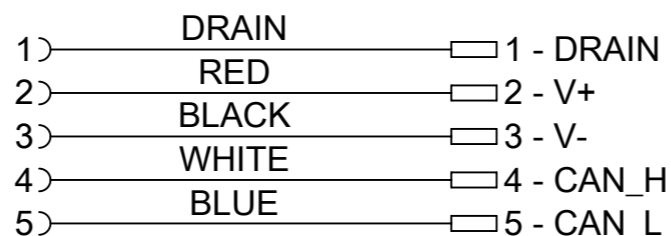
- UL RECOGNIZED, FILE: E152210
- CSA CERTIFICATION FILE: LR6837

6 ALL DIMS ARE FOR REFERENCE

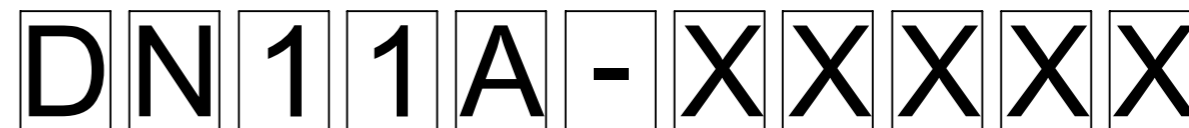
UNLES NOTED OTHERWISE

7. PART NUMBER WITH "H" HAVE TWO ID MARKERS ONE ON EACH END

WIRING DIAGRAM



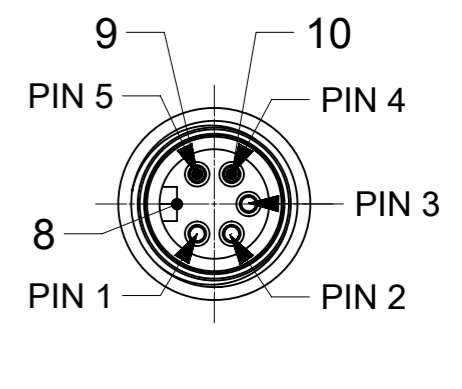
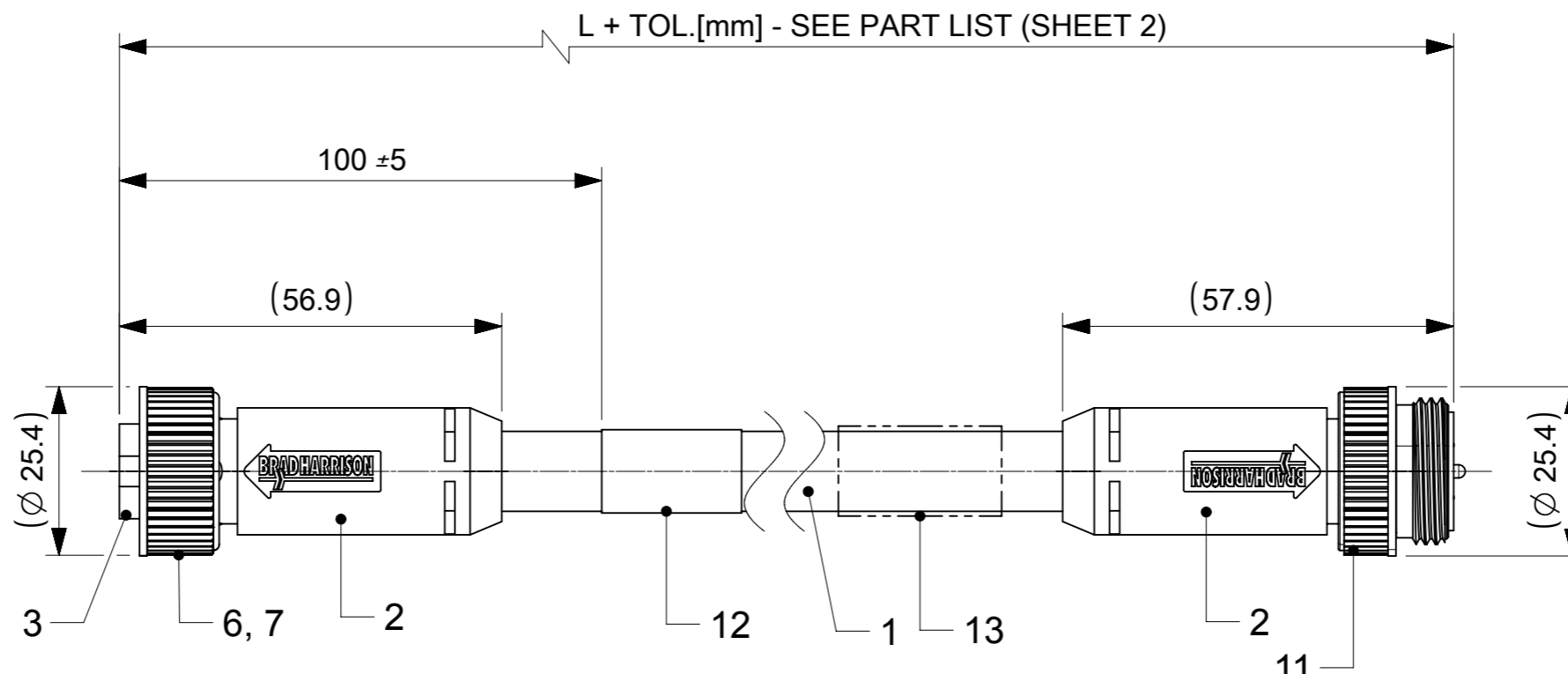
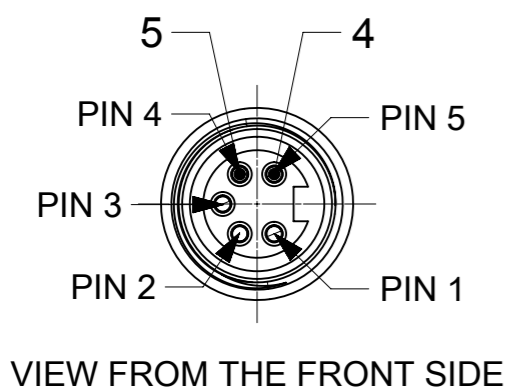
PART No. MATRIX



Units: M = Meter

Length Examples:
005 = 0.5 m
010 = 1 m
050 = 5 m
100 = 10 m
150 = 15 m

OPTIONAL:
H= ID CARRIER



BILL OF MATERIALS

ITEM	QTY	DESCRIPTION	MATERIAL	FINISH/COLOR
13	2	ID CARRIER	PVC	-
12	1	LABEL WRAP	VINYL	YELLOW
11	1	COUPLING NUT A-SIZE EXT.	ZINC	BLACK
10	2	PIN CONTACT 16 AWG	COPPER	GOLD OVER Ni-PLATED
9	3	PIN CONTACT 18 AWG	COPPER	GOLD OVER Ni-PLATED
8	1	HOUSING A-SIZE 5P MALE	PVC	GRAY
7	1	FRICTION RING A-SIZE	NYLON	GRAY
6	1	MC COUPLING NUT A-SIZE	ZINC	BLACK
5	2	MC SOCKET SLEEVE ASSY 16 AWG	COPPER	GOLD OVER Ni-PLATED
4	3	MC SOCKET SLEEVE ASSY 18 AWG	COPPER	GOLD OVER Ni-PLATED
3	1	HOUSING A-SIZE 5P FEMALE	PVC	GRAY
2	-	MOULDING MATERIAL	PVC	GRAY
1	-	TRUNK CABLE 19X30 AWG OD=12	PVC	GRAY
ITEM	QTY	DESCRIPTION	MATERIAL	FINISH/COLOR

THIS DRAWING CONTAINS INFORMATION THAT IS PROPRIETARY TO MOLEX ELECTRONIC TECHNOLOGIES, LLC AND SHOULD NOT BE USED WITHOUT WRITTEN PERMISSION

SYMBOLS: DIMENSION UNITS: mm SCALE: 1:1

GENERAL TOLERANCES (UNLESS SPECIFIED): ANGULAR TOL ± °

4 PLACES ±
3 PLACES ±
2 PLACES ± 0.05
1 PLACE ± 0.3
0 PLACES ± 0.5

DRAFT WHERE APPLICABLE MUST REMAIN WITHIN DIMENSIONS

THIRD ANGLE PROJECTION

CURRENT REV DESC:
EC NO: 604208
DRWN: MKOWALCZYK01 2018/09/07
CHK'D: MMATLA 2018/09/11
APPR: MMATLA 2018/09/11

INITIAL REVISION:
DRWN: MKOWALCZYK01 2018/09/07
APPR: MMATLA 2018/09/11

molex

CSE MC 5P FE STR PVC MA STR 25M DE

PRODUCT CUSTOMER DRAWING

DOCUMENT NUMBER: 1300250051
DOC TYPE: PSD
DOC PART: 000
REVISION: A

MATERIAL NUMBER: SEE SHEET 2
CUSTOMER: GENERAL MARKET
SHEET NUMBER: 1 OF 2

DRAWING: A3-SIZE
SERIES: 130025

6 5 4 3 2 1

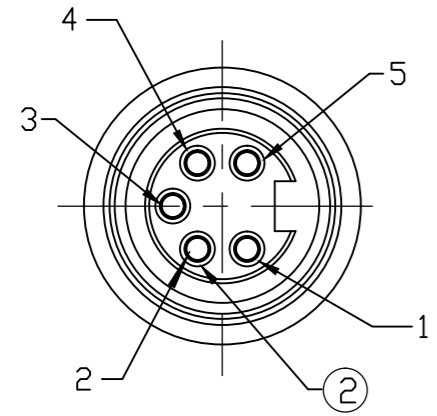
PART LIST

MOLEX PN	ENGINEERING NO.	LENGTH + TOL.[mm]	MOLEX PN	ENGINEERING NO.	LENGTH + TOL.[mm]
1300240329	DN11A-M650	65000 + 1300	1300250114	DN11A-M350	35000 + 700
1300250051	DN11A-M005	500 + 45	1300250117	DN11A-M400	40000 + 800
1300250054	DN11A-M010	1000 + 56	1300250119	DN11A-M450	45000 + 900
1300250058	DN11A-M015	1500 + 56	1300250122	DN11A-M500	50000 + 1000
1300250061	DN11A-M020	2000 + 89	1300250128	DN11A-M750	75000 + 1500
1300250067	DN11A-M030	3000 + 89	1300250649	DN11A-M005H	500 + 45
1300250071	DN11A-M040	4000 + 165	1300250652	DN11A-M050H	5000 + 165
1300250073	DN11A-M050	5000 + 165	1300250654	DN11A-M060H	6000 + 165
1300250076	DN11A-M060	6000 + 165			
1300250079	DN11A-M070	7000 + 165			
1300250081	DN11A-M080	8000 + 317			
1300250083	DN11A-M090	9000 + 317			
1300250085	DN11A-M100	10000 + 317			
1300250087	DN11A-M120	12000 + 317			
1300250090	DN11A-M130	13000 + 317			
1300250091	DN11A-M140	14000 + 317			
1300250092	DN11A-M150	15000 + 610			
1300250095	DN11A-M180	18000 + 610			
1300250097	DN11A-M200	20000 + 610			
1300250099	DN11A-M210	21000 + 610			
1300250102	DN11A-M240	24000 + 610			
1300250103	DN11A-M250	25000 + 610			
1300250105	DN11A-M270	27000 + 610			
1300250108	DN11A-M300	30000 + 610			

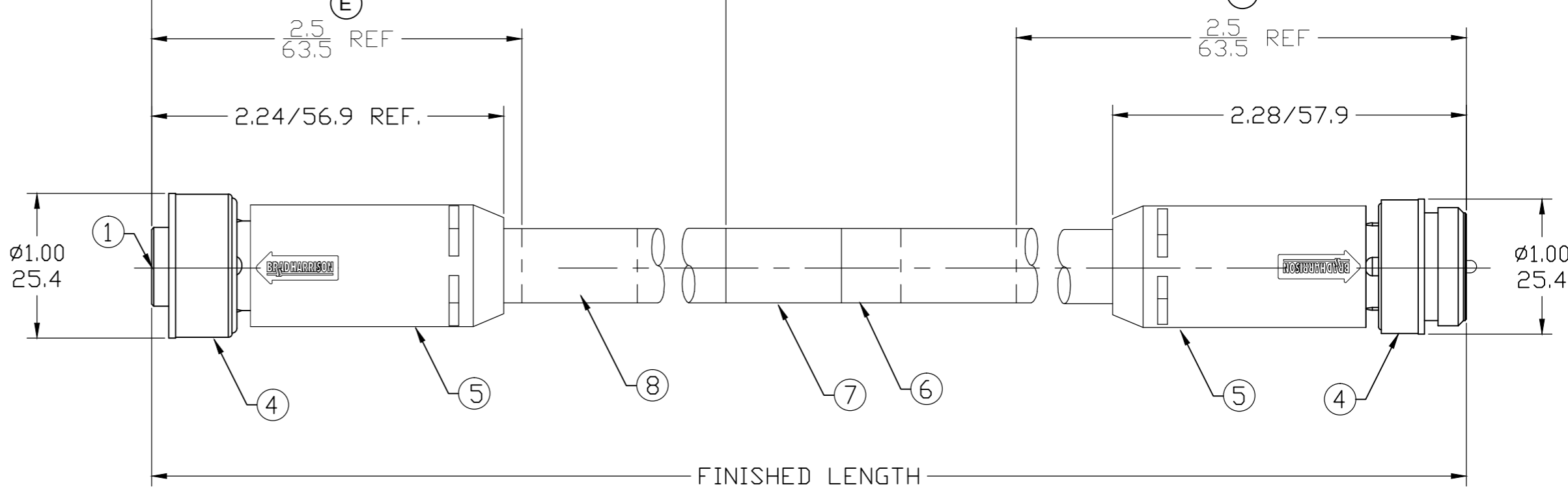
SYMBOLS	THIS DRAWING CONTAINS INFORMATION THAT IS PROPRIETARY TO MOLEX ELECTRONIC TECHNOLOGIES, LLC AND SHOULD NOT BE USED WITHOUT WRITTEN PERMISSION		
	DIMENSION UNITS	SCALE	CURRENT REV DESC:
= 0	mm	1:1	molex
= 0	GENERAL TOLERANCES (UNLESS SPECIFIED)		
= 0	ANGULAR TOL ± °		CSE MC 5P FE STR PVC MA STR 25M DE
= 0	4 PLACES ±		PRODUCT CUSTOMER DRAWING
= 0	3 PLACES ±		
= 0	2 PLACES ± 0.05		INITIAL REVISION:
= 0	1 PLACE ± 0.3		
= 0	0 PLACES ± 0.5		DRWN: MKOWALCZYK01 2018/09/07
= 0	DRAFT WHERE APPLICABLE MUST REMAIN WITHIN DIMENSIONS	THIRD ANGLE PROJECTION	APPR: MMATLA 2018/09/11
= 0		DRAWING	DRWN: MKOWALCZYK01 2018/09/07
		SERIES	APPR: MMATLA 2018/09/11
		MATERIAL NUMBER	1300250051
		CUSTOMER	PSD 000 A
		SHEET NUMBER	2 OF 2

DOCUMENT STATUS P1 RELEASE DATE 2018/09/11 07:18:45

6 5 4 3 2 1



FEMALE FACE VIEW



SCHEMATIC

- 1 - DRAIN
- 2 - V+
- 3 - V-
- 4 - CAN_H
- 5 - CAN_L

NOTES:

1. MATERIAL: AS NOTED
2. FINISH: AS NOTED
3. ELECTRICAL:
VOLTAGE RATING PER IEC 60664: 300V
VOLTAGE RATING PER UL: 300V
CURRENT: 8A
4. TEMP RATING: -25° TO +80°C
5. PROTECTION: IP67 (WHEN MATED)
6. COUPLING THREAD: 7/8-16
7. AGENCY:
UL RECOGNIZED, FILE: E152210
CSA CERTIFICATION FILE: LR6837
8. ALL DIMS ARE FOR REFERENCE UNLESS NOTED OTHERWISE
9. PART NUMBERS WITH "H" HAVE TWO ID MARKERS ONE ON EACH

ITEM	COMPONENT	MATERIAL	FINISH
1	INSERTS	PVC	GRAY
2	CONTACT SOCKET	COPPER ALLOY	GOLD OVER NICKEL
3	CONTACT PIN	COPPER ALLOY	GOLD OVER NICKEL
4	COUPLING NUTS	ZINC DIE CAST	BLACK E-COATED
5	OVERMOLDS	PVC	GRAY
6	CABLE-DEVICENET THICK CABLE 2/15 & 2/18 SHIELD PAIR	PVC	GRAY
7	LABEL	VINYL	BLACK/YELLOW
8	ID CARRIER	PVC	CLEAR

ADD ID MARKERS EC NO: IPG2018-0458 DRWN: MZIELINS 2018/04/10 CH'KD: --- APPR: BWOODMAN	DESCRIPTION REV	QUALITY SYMBOL	GENERAL TOLERANCES (UNLESS SPECIFIED)		DIMENSION STYLE INCH/MM		
		$\nabla = 0$ $\nabla C = 0$	4 PLACES	mm	INCH	DRAWN BY	DATE
			3 PLACES	±---	±---	TWOLDEGE	2011/05
			2 PLACES	±---	±---	CHECKED BY	DATE
	1 PLACE	±---	±---	VOU			
			ANGULAR ±---°		APPROVED BY DATE		
			DRAFT WHERE APPLICABLE MUST REMAIN WITHIN DIMENSIONS		MATERIAL NO.		
					SEE CHART		
					SIZE	THIS DRAWING INCORPORATED	
					C		

X-ON Electronics

Largest Supplier of Electrical and Electronic Components

Click to view similar products for [Sensor Cables / Actuator Cables](#) category:

Click to view products by [Molex](#) manufacturer:

Other Similar products are found below :

[1300070444](#) [43-10984](#) [M83513/19-F01CP](#) [704000D02F120](#) [MDM15SH001K](#) [MDM25PH003BF222](#) [802027107404-1](#) [885030A09M010](#)
[885030A09M020](#) [1200650174](#) [1200651332](#) [1200651713](#) [1200660171](#) [1200660208](#) [1200660343](#) [1200660804](#) [1200660845](#) [1200660926](#)
[1200660977](#) [1200661173](#) [1200661354](#) [120066-1712](#) [1200720053](#) [1200720099](#) [1200720153](#) [1200720172](#) [1200720217](#) [1200720226](#)
[1200720251](#) [1200720285](#) [1200720296](#) [1200720404](#) [1200730148](#) [1200730378](#) [1200800231](#) [1200860112](#) [1200860121](#) [1200860125](#)
[1200860337](#) [1200860365](#) [1200860420](#) [1200870046](#) [1200870123](#) [1200870248](#) [1200980102](#) [1200660181](#) [1200660183](#) [1200660827](#)
[1200660849](#) [1200661170](#)