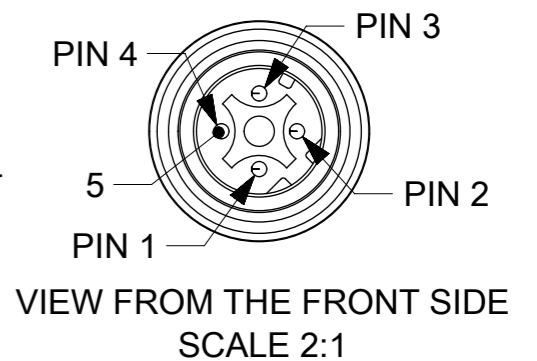
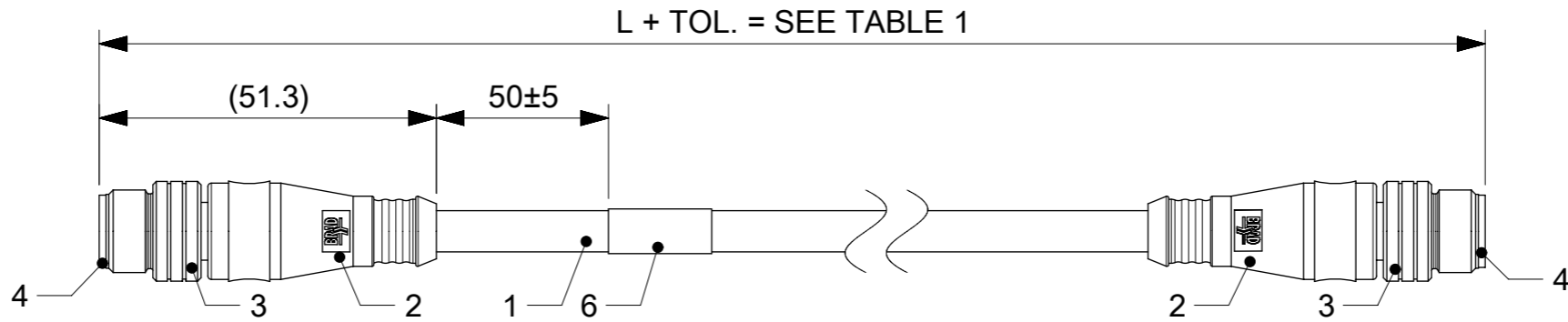
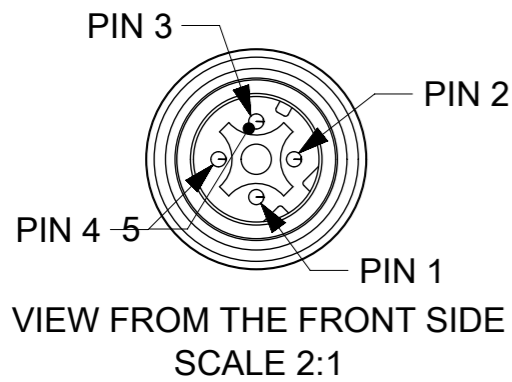
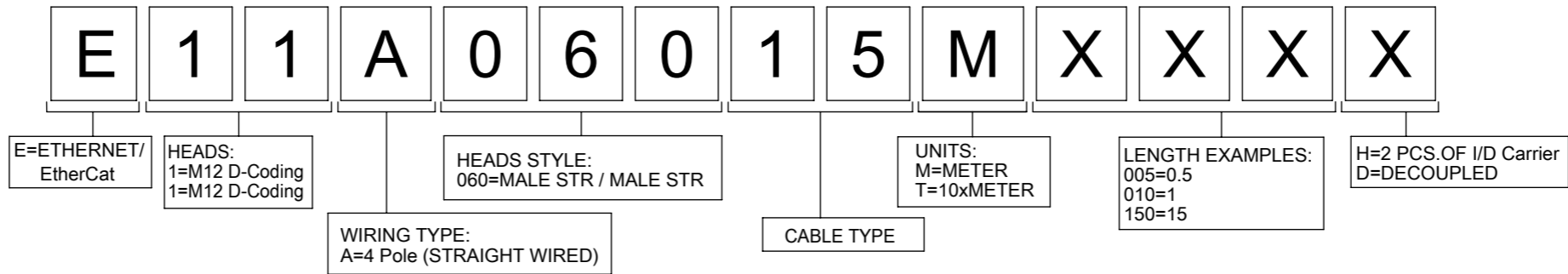


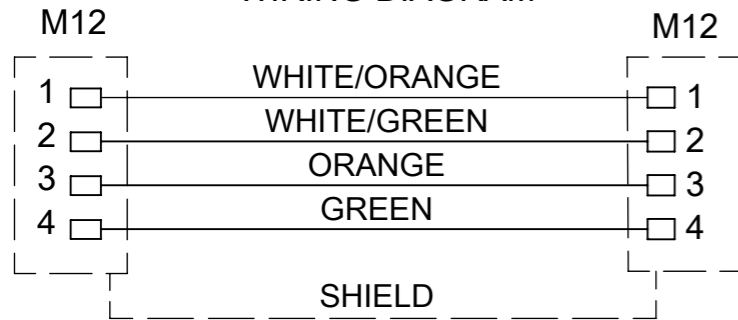
CABLE SPECIFICATION

CONDUCTOR:
 MATERIAL: TINED COPPER
 SECTION: 26AWG
 INSULATION:
 COMPOUND: POLYOLEFIN
 JACKET:
 COMPOUND: PVC
 COLOR: TEAL
 NOM. DIAMETER: 5.99mm
 TEMPERATURE RATING:
 -20°C TO +75°C
 VOLTAGE RATING MAX: 300V RMS
 DIELECTRIC WITHSTANDING MIN: 1500V RMS

PART No MATRIX



WIRING DIAGRAM



OVER	UP TO AND INCLUDING	TOLERANCE (+)
0	305	+19
305	915	+45
915	1830	+56
1830	3660	+89
3660	7320	+165
7320	14640	+317
14640	30500	+610
30500	>	+2% OF LENGTH

BILL OF MATERIALS

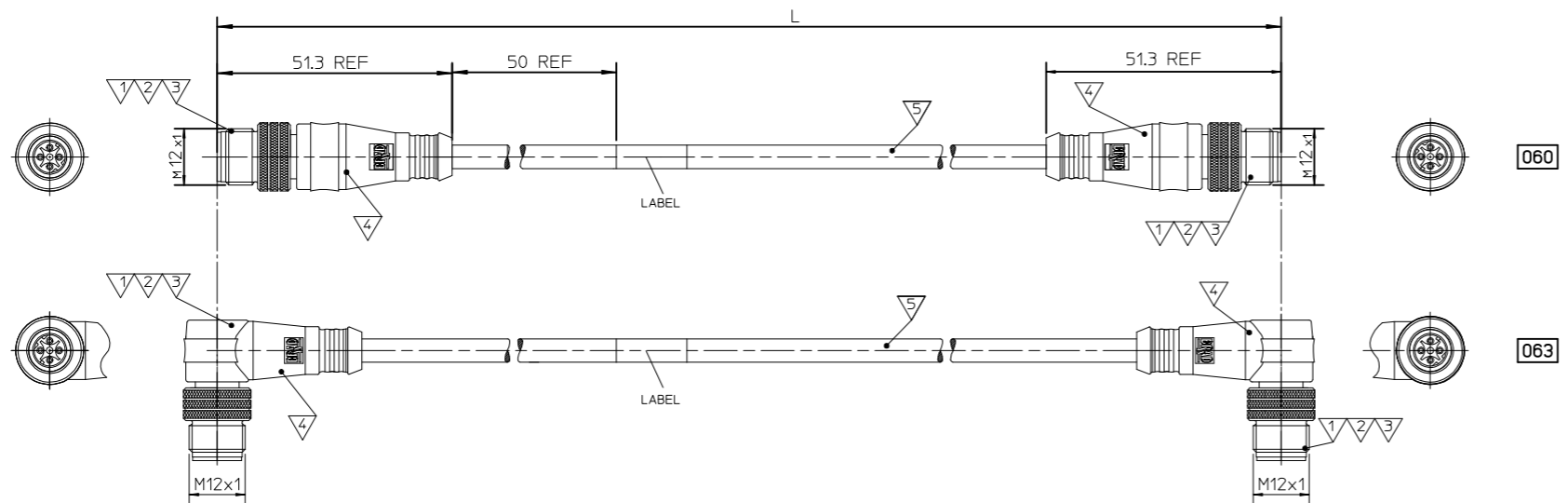
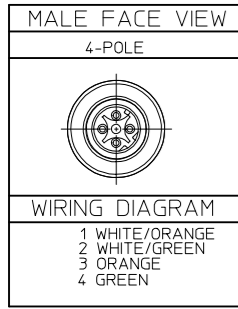
ITEM	QTY.	DESCRIPTION	MATERIAL	FINISH
6	1	LABEL WH	-	-
5	8	CONTACT MA	COPPER ALLOY	GOLD OVER NICKEL
4	2	INSERT MA 4P DC BK	PUR	-
3	2	COUPLING NUT	BRASS	NICKEL
2	-	MOULDING MATERIAL BK	TBU	-
1	-	CABLE 4x26AWG CAT5E TEAL	PVC	-

TABLE 1

MOLEX PN	ENGINEERING No	L [mm]	MOLEX PN	ENGINEERING No	L [mm]	MOLEX PN	ENGINEERING No	L [mm]
1300480009	E11A06015M030	3000	1300488109	E11A06015M800	80000	1300488165	E11A06015M420	42000
1300480010	E11A06015M200	20000	1300488113	E11A06015M350	35000	1300488166	E11A06015M450	45000
1300480011	E11A06015M400	40000	1300488125	E11A06015M110	11000	1300488167	E11A06015M460	46000
1300480122	E11A06015M010	1000	1300488126	E11A06015M120	12000	1300488168	E11A06015M540	54000
1300480123	E11A06015M010D	1000	1300488127	E11A06015M140	14000	1300488169	E11A06015M550	55000
1300480124	E11A06015M020	2000	1300488128	E11A06015M060	6000	1300488170	E11A06015M570	57000
1300480125	E11A06015M020D	2000	1300488145	E11A06015M070	7000	1300488171	E11A06015M610	61000
1300480126	E11A06015M050	5000	1300488146	E11A06015M080	8000	1300488172	E11A06015M650	65000
1300480128	E11A06015M100	10000	1300488147	E11A06015M090	9000	1300488173	E11A06015M700	70000
1300480130	E11A06015M150	15000	1300488148	E11A06015M130	13000	1300488174	E11A06015M750	75000
1300480132	E11A06015M300	30000	1300488159	E11A06015M005	500	1300488175	E11A06015M850	85000
1300480303	E11A06015M500	50000	1300488160	E11A06015M180	18000	1300488176	E11A06015M900	90000
1300480304	E11A06015M680	68000	1300488161	E11A06015M230	23000	1300488177	E11A06015M950	95000
1300488007	E11A06015M250	25000	1300488162	E11A06015M270	27000			
1300488012	E11A06015M400	4000	1300488163	E11A06015M340	34000			
1300488108	E11A06015M600	60000	1300488164	E11A06015M380	38000			

THIS DRAWING CONTAINS INFORMATION THAT IS PROPRIETARY TO MOLEX ELECTRONIC TECHNOLOGIES, LLC AND SHOULD NOT BE USED WITHOUT WRITTEN PERMISSION

EC NO: 118675 DRWN: DSTACHOWIAK CHK'D: APPR: MIWASIECZKO	2017/06/26	2017/06/28	GENERAL TOLERANCES (UNLESS SPECIFIED)	DIMENSION UNITS: MM	SCALE: 2:1			
	ANGULAR TOL ±		4 PLACES ±	DRWN BY: DSTACHOWIAK	DATE: 2017/06/26		CSE M12 ETH 4P DC MA MA STR PVC XM DE	
	3 PLACES ±		2 PLACES ±	CHK'D BY:	DATE:			
	1 PLACE ±		0 PLACES ±	APPR BY: MIWASIECZKO	DATE: 2017/06/28		PRODUCT CUSTOMER DRAWING	
DRAFT WHERE APPLICABLE MUST REMAIN WITHIN DIMENSIONS			DRAWING SIZE: A3	THIRD ANGLE PROJECTION	SERIES: 130048	MATERIAL NUMBER: SEE TABLE 1	CUSTOMER: GENERAL MARKET	
					DOCUMENT NUMBER: 1300488146	DOC TYPE: PSD	DOC PART: 000	SHEET NUMBER: 1 OF 1



E	1	1	A	X	X	X	1	5	X	X	X	X	X
Network Protocol E=Ethernet	First and Second Connector 1-M12 Threaded 4 Pole D-code		Wiring Scheme A=4 Pole	HEAD TYPE 060 Plugs male and male straight 063 Plugs male 90° and male 90°			Cable type 26AWG 7/34 STRANDED TINNED COPPER PVC, TEAL	LENGTH UNIT C-cm M-m K-km F-feet	LENGTH Example: 020 - 2M 060 - 6M 100 - 10M	OPTIONS D- Decoupled (for Shielded version only)			

Table of length tolerances

Over	Up to and including	Tolerance (+)
0	305	+19
305	915	+45
915	1830	+56
1830	3660	+89
3660	7320	+165
7320	14640	+317
14640	30500	+610
30500	>	2 % of length

CONNECTOR SPECIFICATION:

VOLTAGE RATING	max 30V
AMPERAGE RATING	1.5 A
PROTECTION	IP67
OPERATING TEMPERATURE	-20°C TO 75°C

5	CABLE	1302100082	---
4	OVERMOULDING	TPU UF NATURAL C98A10	---
4	OVERMOULDING	MASTERBATCH COLORANT	---
3	COUPLING NUT	SEE SPECIAL TYPES	---
2	PIN CONTACT	COPPER ALLOY	GOLD OR NICKEL PLATED
1	INSERT	PUR	BLACK
ITEM	PART	MATERIAL	FINISH

IPN ADDED EC NO: IPG2014-1381 DRW: JSTACHOWIAK 2014/02/03 CHKD: JMARSALEK 2014/02/03 APPR: MIWASIECZKO 2014/02/04	QUALITY SYMBOLS ▽=0 ▽=0	GENERAL TOLERANCES (UNLESS SPECIFIED) <table border="1"> <tr><th></th><th>mm</th><th>INCH</th></tr> <tr><td>4 PLACES</td><td>±---</td><td>±---</td></tr> <tr><td>3 PLACES</td><td>±---</td><td>±---</td></tr> <tr><td>2 PLACES</td><td>±---</td><td>±---</td></tr> <tr><td>1 PLACE</td><td>±---</td><td>±---</td></tr> <tr><td>0 PLACE</td><td>±---</td><td>±---</td></tr> </table>		mm	INCH	4 PLACES	±---	±---	3 PLACES	±---	±---	2 PLACES	±---	±---	1 PLACE	±---	±---	0 PLACE	±---	±---	DIMENSION STYLE MM ONLY DRAWN BY: MDYSZEWSKA DATE: 2012/11/24 CHECKED BY: HWALCZAK DATE: 2012/11/24 APPROVED BY: MIWASIECZKO DATE: 2013/01/21	SCALE: --- DESIGN UNITS: METRIC FIRST ANGLE PROJECTION	TITLE: CSE ETH ETH 4P DC PVC XM DE SHLD NI molex
		mm	INCH																				
	4 PLACES	±---	±---																				
	3 PLACES	±---	±---																				
2 PLACES	±---	±---																					
1 PLACE	±---	±---																					
0 PLACE	±---	±---																					
DRAFT WHERE APPLICABLE MUST REMAIN WITHIN DIMENSIONS	SEE PAGE 2	DOCUMENT NO. SD-130048-006	SHEET NO. 1 OF 2																				
THIS DRAWING CONTAINS INFORMATION THAT IS PROPRIETARY TO MOLEX INCORPORATED AND SHOULD NOT BE USED WITHOUT WRITTEN PERMISSION																							
B1	REV	SIZE A3																					

10 9 8 7 6 5 4 3 2 1

SEE CHART 1

1300480009	E11A06015M030
1300480010	E11A06015M200
1300480011	E11A06015M400
1300480122	E11A06015M010
1300480124	E11A06015M020
1300480126	E11A06015M050
1300480128	E11A06015M100
1300480130	E11A06015M150
1300480132	E11A06015M300
1300480303	E11A06015M500
1300480304	E11A06015M680
1300488007	E11A06015M250
1300488012	E11A06015M040
1300488108	E11A06015M600
1300488109	E11A06015M800
1300480177	E11A06315M006
1300480179	E11A06315M010
1300480181	E11A06315M020
1300480183	E11A06315M050
1300480185	E11A06315M100
1300488073	E11A06315M030

IPN ADDED EC NO: IPG2014-1381 DRW: JSTACHOWI AK 2014/02/03 CHKD: JMARSZALEK 2014/02/03 APPR: MIWASIECZKO 2014/02/04	QUALITY SYMBOLS =0 =0	GENERAL TOLERANCES (UNLESS SPECIFIED)		DIMENSION STYLE MM ONLY		SCALE ---	DESIGN UNITS METRIC	FIRST ANGLE PROJECTION
		4 PLACES ± --- 3 PLACES ± --- 2 PLACES ± --- 1 PLACE ± --- 0 PLACE ± ---	mm INCH ± --- ± --- ± --- ± --- ± --- ± --- ± --- ± ---	DRAWN BY MDYSZEWSKA	DATE 2012/11/24	TITLE CSE ETH ETH 4P DC PVC XM DE SHLD NI		
REV B1	DESCRIPTION	ANGULAR ± --- °		APPROVED BY MIWASIECZKO	DATE 2013/01/21	molex		SHEET NO. 2 OF 2
		DRAFT WHERE APPLICABLE MUST REMAIN WITHIN DIMENSIONS		MATERIAL NO. SEE CHART 1		DOCUMENT NO. SD-130048-006		
THIS DRAWING CONTAINS INFORMATION THAT IS PROPRIETARY TO MOLEX INCORPORATED AND SHOULD NOT BE USED WITHOUT WRITTEN PERMISSION								

10 9 8 7 6 5 4 3 2 1

X-ON Electronics

Largest Supplier of Electrical and Electronic Components

Click to view similar products for [Sensor Cables / Actuator Cables](#) category:

Click to view products by [Molex](#) manufacturer:

Other Similar products are found below :

[1300070444](#) [43-10984](#) [M83513/19-F01CP](#) [704000D02F120](#) [MDM15SH001K](#) [MDM25PH003BF222](#) [802027107404-1](#) [885030A09M010](#)
[885030A09M020](#) [1200650174](#) [1200651332](#) [1200651713](#) [1200660171](#) [1200660208](#) [1200660343](#) [1200660804](#) [1200660845](#) [1200660926](#)
[1200660977](#) [1200661173](#) [1200661354](#) [120066-1712](#) [1200720053](#) [1200720099](#) [1200720153](#) [1200720172](#) [1200720217](#) [1200720226](#)
[1200720251](#) [1200720285](#) [1200720296](#) [1200720404](#) [1200730148](#) [1200730378](#) [1200800231](#) [1200860112](#) [1200860121](#) [1200860125](#)
[1200860337](#) [1200860365](#) [1200860420](#) [1200870046](#) [1200870123](#) [1200870248](#) [1200980102](#) [1200660181](#) [1200660183](#) [1200660827](#)
[1200660849](#) [1200661170](#)