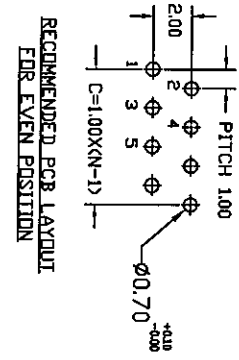
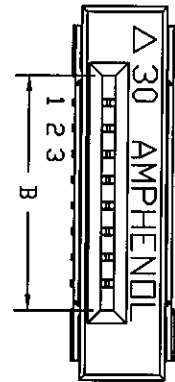
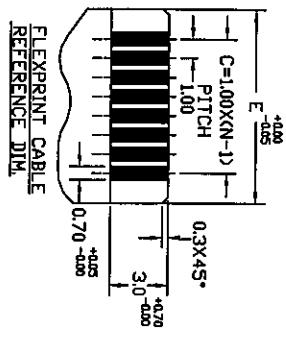


The dimensions in this drawing are given in millimeters and are to be used as the basis for manufacturing. The dimensions in inches are given for information only and are not to be used as the basis for manufacturing. The dimensions in inches are given in parentheses.

CONTACT CONFIGURATION FOR EVEN POSITION



PART NUMBER SYSTEM
 C007-10X-XXX-X/X 0\X

FPC SERIES
 FLEXPRINT
 THK=0.3MM
 PITCH
 B: 1.00 MM
 E: 1.25 MM
 NO. OF WAYS
 N: SEE TABLE I

TERMINATIONS:
 -0X0: DIP SOLDER PIN, STRAIGHT
 -1X01: DIP SOLDER PIN, RIGHT ANGLED
 -0X02: SMT PIN, RIGHT ANGLED
 -1X02: SMT PIN, STRAIGHT

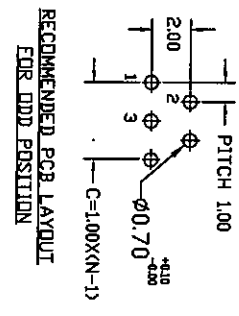
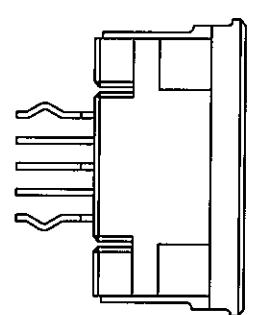
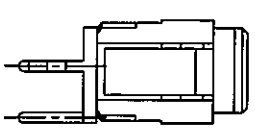
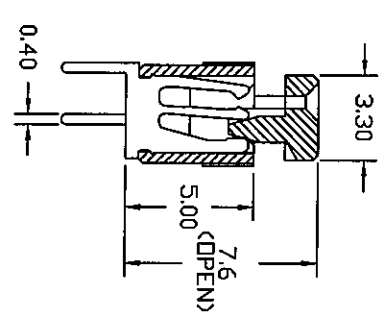
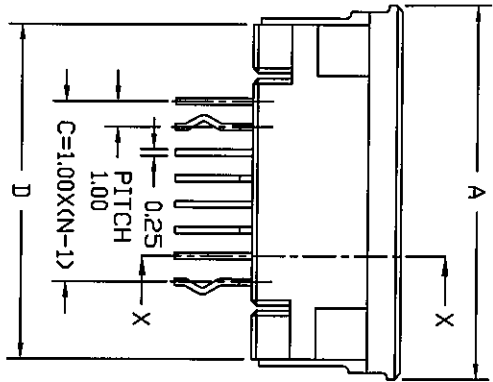
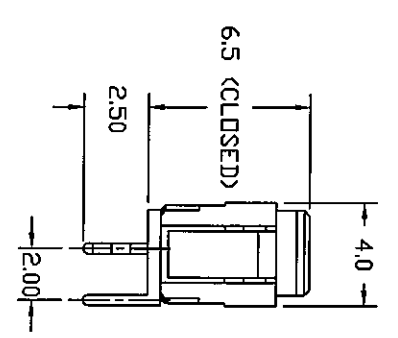
CONTACT PLATING
 D: TIN/LEAD
 1: GOLD FLASH

VARIATION

-TABLE I-

PART NUMBERS	NO. OF WAYS (N)	A	B	C	D	E
C007-10B-005-0001	5	11.50	6.10	4.00	10.00	6.10
C007-10B-008-0001	8	14.50	9.10	7.00	13.00	9.10
C007-10B-010-0001	10	16.50	11.10	9.00	15.00	11.10
C007-10B-012-0001	12	18.50	13.10	11.00	17.00	13.10
C007-10B-014-0001	14	20.50	15.10	13.00	19.00	15.10
C007-10B-016-0001	16	22.50	17.10	15.00	21.00	17.10
C007-10B-017-0001	17	23.50	18.10	16.00	22.00	18.10
C007-10B-018-0001	18	24.50	19.10	17.00	23.00	19.10
C007-10B-020-0001	20	26.50	21.10	19.00	25.00	21.10
C007-10B-021-0001	21	27.50	22.10	20.00	26.00	22.10
C007-10B-022-0001	22	28.50	23.10	21.00	27.00	23.10
C007-10B-024-0001	24	30.50	25.10	23.00	29.00	25.10
C007-10B-025-0001	25	31.50	26.10	24.00	30.00	26.10
C007-10B-026-0001	26	32.50	27.10	25.00	31.00	27.10
C007-10B-030-0001	30	36.50	31.10	29.00	35.00	31.10

* PENDING



CONTACT CONFIGURATION FOR ODD POSITION

RECOMMENDED PCB LAYOUT FOR ODD POSITION

UNLESS OTHERWISE SPECIFIED

TOLERANCES: U.S. METRIC

APPROVAL: APPROVAL DATE

DESIGNED BY: BRYAN Y.M. LEE

CHECKED BY: Y.M. LEE

DATE: 11/11/01

SCALE: NONE

SHEET 1 OF 1

TITLE: FPC, STRAIGHT DIP SOLDER PIN

SIZE: DRAWING NO. C007-10B-XXX-0X01

REV. A

APPROVED: Amphenol

Amphenol East Asia Limited Manufacturing Department

X-ON Electronics

Largest Supplier of Electrical and Electronic Components

Click to view similar products for [FFC & FPC Connectors](#) category:

Click to view products by [Amphenol](#) manufacturer:

Other Similar products are found below :

[HFW11R-1STE1H1LF](#) [FH29B-100S-0.2SHW\(99\)](#) [FA5S008HP1](#) [FH29B-120S-0.2SHW\(99\)](#) [FH29B-80S-0.2SHW\(99\)](#) [FHS-16](#) [FPH-2022G](#)
[52610-1075](#) [52610-1275](#) [52610-1934](#) [XF3M\(1\)-1415-1B-R100](#) [501864-3091-TR225](#) [0525594033](#) [086210010340800](#) [086222026001800](#)
[52271-2869-CUT-TAPE](#) [62674-201121DLF](#) [62684-36210E9ALF](#) [52610-1675](#) [52746-1671-TR250](#) [10051922-2810EHLF](#) [6-520415-9](#)
[BD021-09A-A1-0350-0200-0550-LD](#) [SFV6R-1STE9HLF](#) [XF3M-2915-1B-R100](#) [1658549-1](#) [62674-221121ALF](#) [46214008010800](#)
[046298003000883](#) [151660622](#) [842-816-2630-035](#) [AYF530665TA](#) [AYF351525](#) [046296011930846+](#) [AYF352325A](#) [046254020000800+](#)
[FH19C-13S-0.5SH\(99\)](#) [FH39J-51S-0.3SHW\(99\)](#) [AYF355125A](#) [AYF530365TA](#) [FH29B-44S-0.2SHW\(99\)](#) [SFW5R-2STAE9LF](#) [AYF351125A](#)
[AYF350725A](#) [62684-502100AHLF](#) [FH39-61S-0.3SHW\(99\)](#) [AYF414035A](#) [10064555-172520HLF](#) [AYF212335A](#) [504754-2500](#)