

Standard Materials and Finishes



The following are Glenair's standard finishes. Individual product pages within this catalog list their most common finishes. Additional finishes are listed within the table below.

TABLE II - STANDARD FINISHES

GLENAIR M85049 SYMBOL		FINISH	SPECIFICATION(S)
SYMBOL	REFERENCE ONLY		
B		Cadmium Plate, Olive Drab	AMS-QQ-P-416, Type II, Class 3
C*	A	Anodize, Black	AMS-A-8625, Type II, Class 2
G*		Hard Coat, Anodic	AMS-A-8625, Type III, Class 1
J		Iridite, Gold Over Cadmium Plate Over Electroless Nickel	MIL-C-5541, Class 3 AMS-QQ-P-416, Type II, Class 3 over AMS-C-26074, Class 3 or 4, Grade B
LF		Cadmium Plate, Bright Over Electroless Nickel	1000 Hour Corrosion Resistance
M	N	Electroless Nickel	AMS-C-26074, Class 4, Grade B; & ASTM B733-90, SC2, Type 1, Class 4
N		Cadmium Plate, Olive Drab Over Electroless Nickel	AMS-QQ-P-416, Type II, Class 3 over Electroless Nickel AMS-C-26074
NC		Zinc Cobalt, Dark Olive Drab	96 Hour Corrosion Resistance
NF	W	Cadmium Plate, Olive Drab Over Electroless Nickel	1000 Hour Corrosion Resistance
T		Cadmium Plate, Bright Over Electroless Nickel	AMS-QQ-P-416, Type II, Class 3 over Electroless Nickel, AMS-C-26074, Class 3 or 4, Grade B
U**		Cadmium Plate, Black	AMS-QQ-P-416, Type II, Class 3
ZN		Zinc-Nickel Alloy, Olive Drab	ASTMB 841-91, Over Electroless Nickel 1000 Hour Salt Spray

* Anodize finish; not suitable for EMI Shielding or grounding applications.
** Applicable to corrosion resisting steel backshells and accessories. Consult factory for other available finishes.

STANDARD MATERIALS - BACKSHELLS AND ACCESSORIES

COMPONENT	MATERIAL	SPECIFICATION
Machined components: such as backshell bodies, fabricated elbows, protective covers, rotatable couplers, dummy stowage receptacles, lock nuts, G-spring support rings, EMI ground rings, grommet followers, etc.	Aluminum	AMS-QQ-A-200 ASTMB221, 209
Die cast components: such as angular backshells, strain relief backshells, strain relief bodies, strain relief saddles, special EMI ground rings, etc.	Aluminum	QQ-A-591 ASTMB85, 26
Backshells or strain reliefs: available in optional corrosion resisting steel; and hardware: such as screws, washers, rivets, wire rope, sash chain, band straps, etc.	Corrosion Resisting Steel	ASTMA582 (300 Series) AMS-QQ-S-763
Elastomeric seals: such as O-rings, cable jacket seals, grommets, etc.	Silicone	ZZ-R-765, MIL-R-25988
Anti-friction and thrust washers	Teflon	TFE
Anti-rotation device	Corrosion Resistant Material	N/A

NOTES

Unless otherwise specified, the following dimensional tolerances will apply:

- .xx = ± .03 (0.8)
- .xxx = ± .015 (0.4)
- Lengths = ± .060 (1.52)
- Angles = ± 5°

Metric dimensions (mm) are indicated in parentheses

557-107 D-Subminiature Light-Weight Solid Banding Backshell

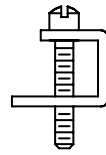


MIL-DTL-24308
D-Subminiature

557-107 M 2-03 C B

Basic Part No. _____
 Finish Symbol (Page 3) _____
 Shell Size (Table I) _____
 Cable Entry (Table II) _____

B = Band Supplied (600-052),
Omit for None
 C = Supplied with Retainer
Clips and Jackscrews (Omit
for None)



**"C" Retainer
Clip Option**

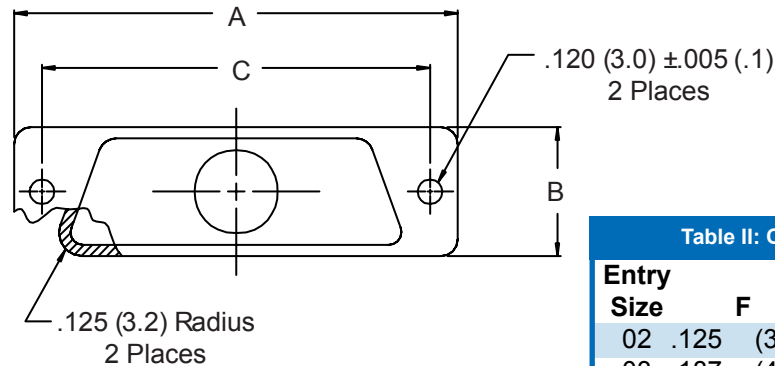
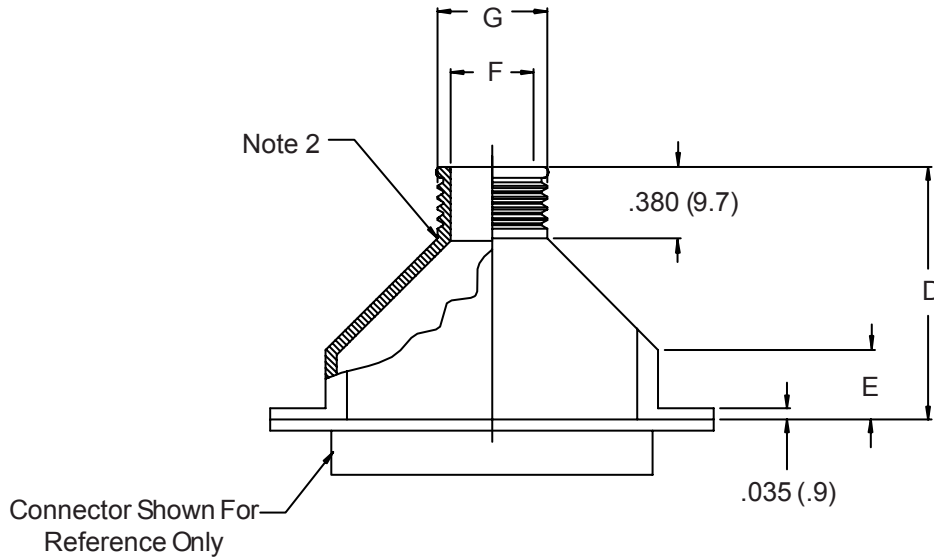


Table I: Shell Size & Connector Interface Dimensions

Shell Size	A	B	C	
			±.005	(.1)
1*	1.203 (30.6)	.500 (12.7)	.984	(25.0)
2*	1.531 (38.9)	.500 (12.7)	1.312	(33.3)
3*	2.078 (52.8)	.500 (12.7)	1.852	(47.0)
4*	2.718 (69.0)	.500 (12.7)	2.500	(63.5)
5	2.625 (66.7)	.609 (15.5)	2.406	(61.1)
6	2.718 (69.0)	.668 (17.0)	2.500	(63.5)

Table II: Cable Entry

Entry Size	F	G
02	.125 (3.2)	.205 (5.2)
03	.187 (4.7)	.267 (6.8)
04	.250 (6.4)	.330 (8.4)
05	.312 (7.9)	.392 (10.0)
06	.375 (9.5)	.455 (11.6)
07	.437 (11.1)	.517 (13.1)
08	.500 (12.7)	.580 (14.7)
09	.529 (13.4)	.609 (15.5)
10	.290 (7.4)	.370 (9.4)
11	.595 (15.1)	.675 (17.2)
12	.270 (6.9)	.350 (8.9)

* Maximum Entry Size (Table II) is 06

1. Metric dimensions (mm) are indicated in parentheses.
2. End Fitting may be brazed on per MIL-B-7883B, Type V, Grade B

X-ON Electronics

Largest Supplier of Electrical and Electronic Components

Click to view similar products for [glenair](#) manufacturer:

Other Similar products are found below :

[GMR7580-15P4BSU](#) [DC40-10L](#) [MWDM2R-9P-4K5-18H-464A](#) [MWDM2R-25P-6K5-58M-464A](#) [805-001-16NF11-4SA](#) [687-348Z4-8-6](#)
[557-107M3-05CB](#) [450DS001N10-325](#) [MR75909P1BSU](#) [809-166-NF8](#) [103-026-012](#) [891-001-25PS-0A7-18J](#) [5M2920-3CW](#) [6000-063-0022](#)
[M28840/17AC1G3](#) [M28840/29CB1DAP1](#) [M32139/03-B06ST](#) [M39029/88-488](#) [M83513/03-C16N](#) [M83513/03-F11N](#) [M83513/04-E03N](#)
[M83513/13-B03CW](#) [M8351329-G02NW](#) [M85049130-07M](#) [M85049/1911N02](#) [M8504924-5W](#) [M85049/3610W03](#) [M85049/39-17W](#)
[M8504956-24N](#) [M85049/74-10-1](#) [M8504988-17P03](#) [M8504988-21N03](#) [M8504992-11M](#) [D38999/23YE26SN](#)
[759EA458NF32Z1732-40-102.9](#) [801-008-26NF7-25SA](#) [801-025-ARB2M6-4NA-12](#) [805-002-16M12-5SA](#) [858-003-01F](#) [860-004R-](#)
[B7MT07A-30-20](#) [G65217](#) [G8187C2010-44N](#) [G8377-21B](#) [G8801-09N](#) [G8801-25N](#) [G8859-174FNF](#) [947-432ME21-11SN](#) [947-432ME21-](#)
[35PN](#) [D3899933F21R](#) [D38999/33W11N](#)