
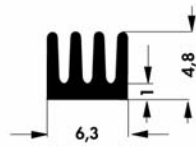
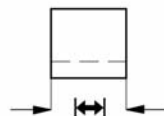

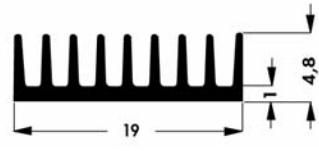
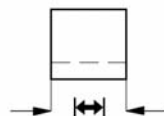


A

Heatsinks for DIL-IC, PLCC and SMD

B


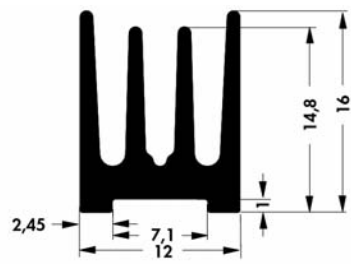
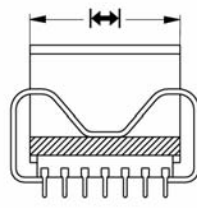
Heatsinks for DIL-IC

			
art. no.	for housings	↔ [mm]	R_{th} [K/W]
ICK 6 8 L	6/8 contacts	8.5	83
ICK 14 16 L	14/16 contacts	19.0	46
ICK 20 L	20 contacts	25.0	34
			
art. no.	for housings	↔ [mm]	R_{th} [K/W]
ICK 14 16 B	14/16 contacts	6.3	50.0
ICK 24 B	24 contacts	33.0	13.0
ICK 28 B	28 contacts	37.0	11.5
ICK 36 B	36 contacts	47.0	9.5
ICK 40 B	40 contacts	51.0	8.5
ICK 1000 B	–	1000.0	–

other length on request

surface: black anodised

with clip

			
art. no.	for housings	↔ [mm]	R_{th} [K/W]
ICK 14 H	14 contacts	18.0	20
ICK 16 H	16 contacts	20.5	18
ICK 18 H	18 contacts	23.0	16
ICK 1000 H	–	1000.0	–

other length on request

surface: black anodised

L

M

N

B 1


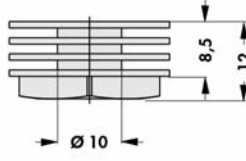
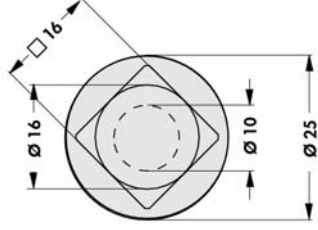

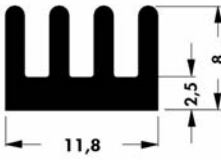
 Aluminium oxide wafers
 Mica wafers
 Kapton insulator washers
 Insulating clamping parts

 → E ? - ?
 → E ?
 → E ?
 → E ?

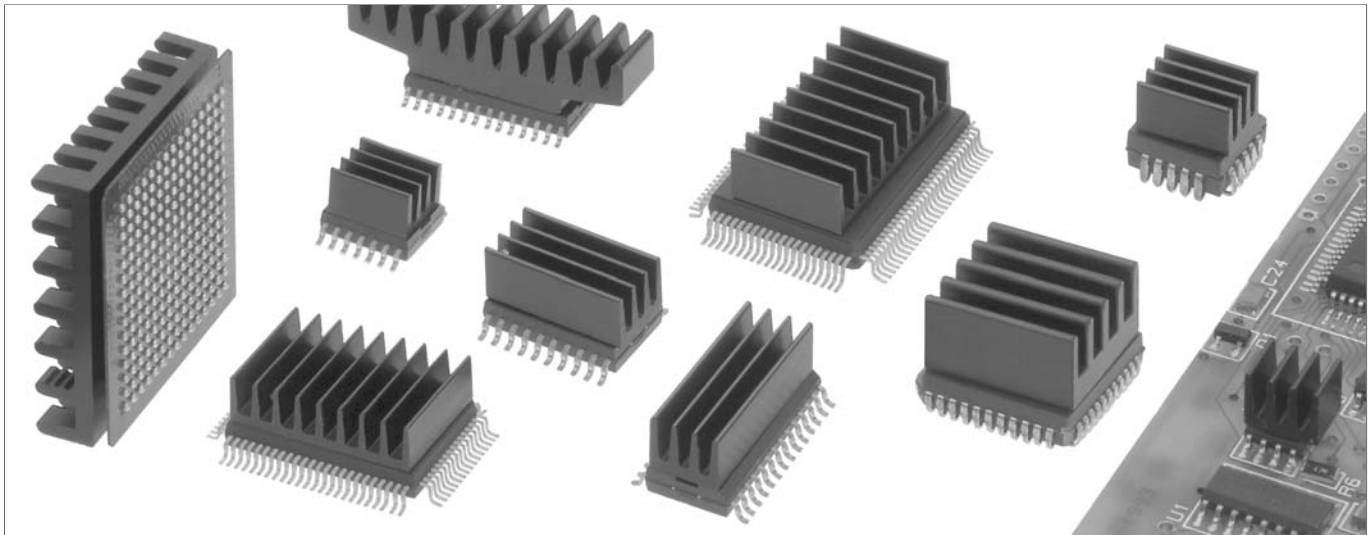
 Profiles for PCB components
 Heatsinks for PCB
 Hole pattern
 Profiles for PCB mounting

 → A ?
 → A ?
 → A 21
 → A ? - ?

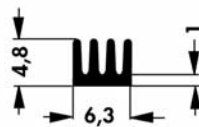
Heatsinks for PLCC

		
<p>art. no.</p>	<p>↔ [mm]</p>	<p>R_{th} [K/W]</p>
<p>ICK R</p>	<p>25</p>	<p>19</p>
		
<p>art. no.</p>	<p>↔ [mm]</p>	<p>R_{th} [K/W]</p>
<p>ICK PLCC 28</p>	<p>11.8</p>	<p>25</p>

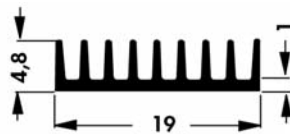
surface: black anodised

Heatsinks for SMD


- particularly suitable for SMD components
- low profile
- reduced weight
- effective heat dissipation
- can be glued directly onto the component
- solderable versions
- customer specific versions on request
- special packaging like tape and reel, bar magazin, tary etc. on request



art. no.	↔ [mm]	R_{th} [K/W]
ICK SMD A 5 ...	5	123
ICK SMD A 8 ...	8	87
ICK SMD A 10 ...	10	75
ICK SMD A 13 ...	13	63
ICK SMD A 17 ...	17	51
ICK SMD A 22 ...	22	34



art. no.	↔ [mm]	R_{th} [K/W]
ICK SMD B 5 ...	5	56
ICK SMD B 7 ...	7	47
ICK SMD B 10 ...	10	35
ICK SMD B 13 ...	13	29
ICK SMD B 19 ...	19	22

please indicate:

... surface treatment
SA=black anodised
MI=solderable surface

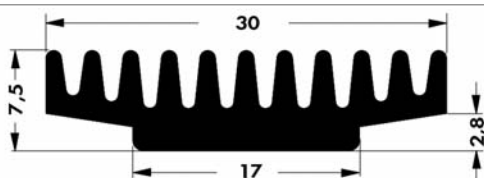
Aluminium oxide wafers
 Mica wafers
 Kapton insulator washers
 Insulating clamping parts

→ E ? - ?
 → E ?
 → E ?
 → E ?

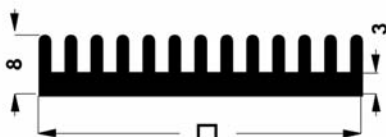
Profiles for PCB components
 Heatsinks for PCB
 SMD-heatsinks
 Profiles for PCB mounting

→ A ?
 → A ?
 → B 3 - 5
 → A ? - ?

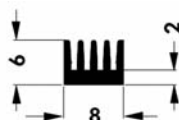
Heatsinks for SMD



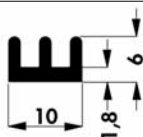
art. no.	↳ [mm]	R _{th} [K/W]
ICK SMD C 7 ...	7	33
ICK SMD C 10 SA	10	26
ICK SMD C 17 ...	17	17



art. no.	↳ [mm]	R _{th} [K/W]
ICK SMD E 15 ...	15.3	27
ICK SMD E 22 ...	22.3	21
ICK SMD E 29 SA	29.0	18



art. no.	↳ [mm]	R _{th} [K/W]
ICK SMD F 8 ...	8	74
ICK SMD F 10 ...	10	71
ICK SMD F 17 SA	17	42
ICK SMD F 19 ...	19	37
ICK SMD F 21 ...	21	33
ICK SMD F 26 ...	26	26



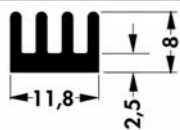
art. no.	↳ [mm]	R _{th} [K/W]
ICK SMD G 8 MI	8	73
ICK SMD G 10 ...	10	70
ICK SMD G 13 SA	13	61
ICK SMD G 17 ...	17	41
ICK SMD G 19 SA	19	36
ICK SMD G 21 ...	21	32

please indicate: ... surface treatment
 SA=black anodised
 MI=solderable surface

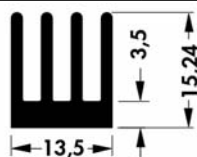
A

Heatsinks for DIL-IC, PLCC and SMD

B

Heatsinks for SMD


art. no.	↔ [mm]	R_{th} [K/W]
ICK SMD H 8 ...	8	33.0
ICK SMD H 10 ...	10	29.0
ICK SMD H 17 ...	17	24.5
ICK SMD H 19 SA	19	23.0
ICK SMD H 25 ...	25	20.0



art. no.	↔ [mm]	R_{th} [K/W]
ICK SMD K 8 ...	8	25.6
ICK SMD K 10 SA	10	23.4
ICK SMD K 13 ...	13	21.5
ICK SMD K 17 ...	17	19.4
ICK SMD K 19 ...	19	18.0
ICK SMD K 21 ...	21	16.5



art. no.	↔ [mm]	R_{th} [K/W]
ICK SMD M 8 SA	8	72.0
ICK SMD M 10 ...	10	66.0
ICK SMD M 17 MI	17	40.0
ICK SMD M 19 ...	19	35.0
ICK SMD M 21 SA	21	31.0
ICK SMD M 26 SA	26	30.2

please indicate: ... surface treatment
SA=black anodised
MI=solderable surface

G

H

I

Sample box SMD heatsinks


art. no.
ICK SMD BOX 1

Contains an assortment of SMD heatsinks with anodised and solderable surface as well as thermally conductive glue (WLK) and double-sided adhesive thermal foil (WLF).

K

L

M

N

B 5

Thermal conduct. foil WLFT 404/405 → E ?
 Thermal conductive glue → E ?
 Thermal conductive paste → E ?
 Silicone wafers → E ? - ?

Profiles for PCB mounting → A ? - ?
 U-shaped heatsink → A ? - ?
 Heatsinks for PCB → A ? - ?
 Pin heatsinks for IC → B ? - ?

X-ON Electronics

Largest Supplier of Electrical and Electronic Components

Click to view similar products for [Heat Sinks](#) category:

Click to view products by [Fisher](#) manufacturer:

Other Similar products are found below :

[581102B00000G](#) [630-35ABT3](#) [656-15ABPE](#) [657-20ABPNE](#) [73452PPBA](#) [7721-13NG](#) [7G0011A](#) [FI306/SE](#) [PF720G](#) [A22-4026](#) [120-1873-007](#) [HAH10L](#) [1542256-2](#) [1542026-1](#) [1542616-1](#) [HS-2506-F1](#) [HS-87M0-F2](#) [218-40CTE3](#) [25-7520](#) [188854F00000G](#) [F-QB-F1](#) [APA501-60-003](#) [253-122ABE-22](#) [PSC22CB](#) [CLP-201](#) [CLP212SG](#) [CLP-7701G](#) [HAA072](#) [HAA083](#) [HAF10L](#) [HAQ10T](#) [D10100-28](#) [TO5-002D](#) [513101B02500G](#) [BDN183CBA01](#) [531202B0000](#) [HS-56M0-C1](#) [3-21053-4](#) [TX0506-1B](#) [TX1806B](#) [336614B-00000](#) [V2004X](#) [LAE66A3CB](#) [WA-DT2-101E](#) [511-3U](#) [017177](#) [530510B00000G](#) [6110BG](#) [73381PPBA](#) [73403PPBA](#)