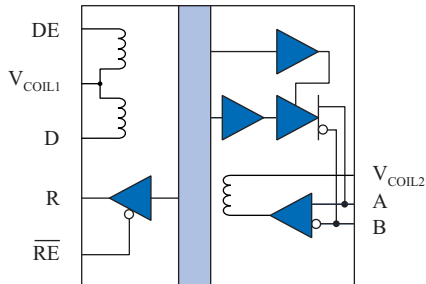
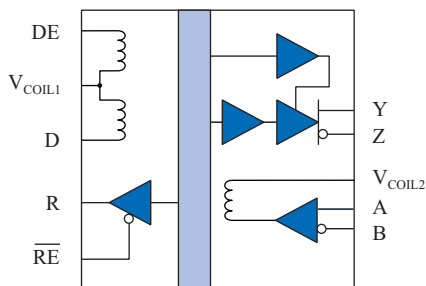


Low Cost Passive Input RS-485 and RS-422 Isolated Transceivers

Functional Diagrams



IL3185



IL3122

IL3185 Truth Table

$V_{(A-B)}$	DE	D	R	\overline{RE}	Mode
≥ 200 mV	H	H	H	L	Drive
≤ -200 mV	H	L	L	L	Drive
≥ 200 mV	L	X	H	L	Receive
≤ -200 mV	L	X	L	L	Receive
X	X	X	Z	H	X
Open	L	X	H	L	Receive

Z = High Impedance X = Irrelevant

IL3122 Receiver

\overline{RE}	R	$V_{(A-B)}$
H	Z	X
L	H	≥ 200 mV
L	L	≤ -200 mV
L	H	Open

IL3122 Driver

DE	D	$V_{(Y-Z)}$
L	X	Z
H	H	≥ 200 mV
H	L	≤ -200 mV

Selection Table

Model	Full/Half Duplex	No. of Devices Allowed on Bus	Data Rate Mbps	Fail-Safe
IL3185	half	32	5	yes
IL3122	full	32	5	yes

Features

- 5 Mbps data rate
- 3 V to 5 V power supplies
- Supports up to 32 nodes
- 15 kV bus ESD protection
- 2500 V_{RMS} isolation per UL 1577
- 20 kV/ μ s typical common mode rejection
- No carrier or clock for low EMI emissions and susceptibility
- -40°C to $+85^{\circ}\text{C}$ temperature range
- Thermal shutdown protection
- UL 1577 recognized; IEC 60747-5-5 (VDE 0884) certified
- 0.15", 0.3" or True 8TM mm 16-pin SOIC packages

Applications

- P.O.S. systems
- Security networks
- Building environmental controls
- Industrial control networks
- Gaming systems
- Factory automation

Description

The IL3185 and IL3122 are galvanically isolated, differential bus transceivers designed for bidirectional data communication over balanced transmission lines. The devices use NVE's patented* IsoLoop spintronic Giant Magnetoresistance (GMR) technology. The IL3185 delivers at least 1.5 V into a 54 Ω load, and the IL3122 at least 2 V into a 100 Ω load for excellent data integrity over long cables. These devices are also compatible with 3 V input supplies, allowing interface to standard microcontrollers without additional level shifting.

Both the IL3185 and IL3122 have current limiting and thermal shutdown features to protect against output short circuits and bus contentions that may cause excessive power dissipation. The receivers also incorporate a "fail-safe if open" design, ensuring a logic high on R if the bus lines are disconnected or "floating."

IsoLoop[®] is a registered trademark of NVE Corporation.

*U.S. Patent numbers 5,831,426; 6,300,617 and others.

Absolute Maximum Ratings

Operating at absolute maximum ratings will not damage the device. However, extended periods of operation at the absolute maximum ratings may affect performance and reliability.

Parameters	Symbol	Min.	Typ.	Max.	Units	Test Conditions
Storage Temperature	T_S	-55		150	°C	
Ambient Operating Temperature	T_A	-40		85	°C	
Voltage Range at A or B Bus Pins		-7		12	V	
Supply Voltage ⁽¹⁾	V_{DD1}, V_{DD2}	-0.5		7	V	
Digital Input Voltage		-0.5		$V_{DD}+0.5$	V	
Digital Output Voltage		-0.5		$V_{DD}+1$	V	
ESD Protection		±15			kV	
Input Current	I_{IN}	-25		+25	mA	
ESD (all bus nodes)		15			kV	HBM

Note 1. All voltage values are with respect to network ground except differential I/O bus voltages.

Recommended Operating Conditions

Parameters	Symbol	Min.	Typ.	Max.	Units	Test Conditions
Supply Voltage	V_{DD1} V_{DD2}	3.0 4.5		5.5 5.5	V	
Ambient Operating Temperature	T_A	-40		85	°C	
Input Voltage at any Bus Terminal (separately or common mode)	V_I V_{IC}			12 -7	V	
Input Threshold for Output Logic High	I_{INH}		1.5	0.8	mA	
Input Threshold for Output Logic Low	I_{INL}	5	3.5		mA	
Differential Input Voltage	V_{ID}			+12/-7	V	
High-Level Output Current (Driver)	I_{OH}	-60		60	mA	
High-Level Digital Output Current (Receiver)	I_{OH}	-8		8	mA	
Low-Level Output Current (Driver)	I_{OL}	-60		60	mA	
Low-Level Digital Output Current (Receiver)	I_{OL}	-8		8	mA	
Ambient Operating Temperature	T_A	-40		85	°C	
Digital Input Signal Rise, Fall Times	t_{IR}, t_{IF}			1	µs	

Insulation Specifications

Parameters	Symbol	Min.	Typ.	Max.	Units	Test Conditions
Comparative Tracking Index	CTI	≥175			V	Per IEC 60112
Endurance Voltage (Maximum Working Voltage for Indefinite Life)	AC	1000			V_{RMS}	At maximum operating temperature
	DC	1500			V_{DC}	
Creepage Distance (external)	0.15" SOIC	4.03			mm	Per IEC 60601
	0.3" SOIC	8.03	8.3			
Total Barrier Thickness (internal)		0.012	0.013		mm	
Barrier Resistance ⁽⁵⁾	R_{IO}		$>10^{14}$		Ω	500 V
Barrier Capacitance ⁽⁵⁾	C_{IO}		7		pF	f = 1 MHz
Leakage Current			0.2		µA	240 V_{RMS} , 60 Hz

Safety Approvals

IEC 60747-5-5 (VDE 0884) (File Number 5016933-4880-0001)

- Working Voltage (V_{IORM}) 600 V_{RMS} (848 V_{PK}); basic insulation; pollution degree 2
- Transient overvoltage (V_{IOTM}) and surge voltage (V_{IOSM}) 4000 V_{PK}
- Each part tested at 1590 V_{PK} for 1 second, 5 pC partial discharge limit
- Samples tested at 4000 V_{PK} for 60 sec.; then 1358 V_{PK} for 10 sec. with 5 pC partial discharge limit

IEC 61010-1 (Edition 2; TUV Certificate Numbers N1502812; N1502812-101)

Reinforced Insulation; Pollution Degree II; Material Group III

Part No. Suffix	Package	Working Voltage
-3	SOIC	150 V_{RMS}
None	Wide-body SOIC/True 8™	300 V_{RMS}

UL 1577 (Component Recognition Program File Number E207481)

Each part tested at 3000 V_{RMS} (4240 V_{PK}) for 1 second; each lot sample tested at 2500 V_{RMS} (3530 V_{PK}) for 1 minute

Soldering Profile

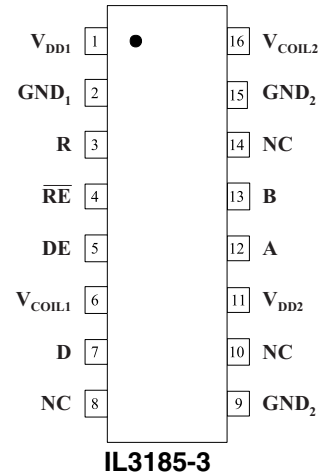
Per JEDEC J-STD-020C, MSL 1

Electrostatic Discharge Sensitivity

This product has been tested for electrostatic sensitivity to the limits stated in the specifications. However, NVE recommends that all integrated circuits be handled with appropriate care to avoid damage. Damage caused by inappropriate handling or storage could range from performance degradation to complete failure.

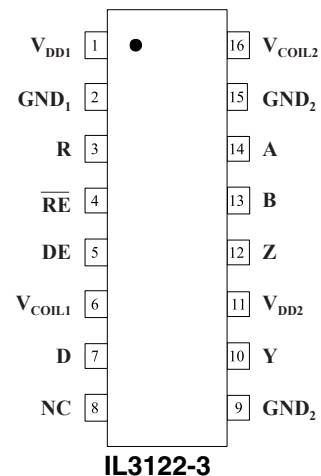
IL3185-3 Pin Connections (0.15" SOIC Package)

1	V _{DD1}	Input power supply
2	GND ₁	Ground return for V _{DD1}
3	R	Output data from bus
4	$\overline{\text{RE}}$	Read enable (if RE is high, R is high impedance)
5	DE	Drive enable
6	V _{COIL1}	Coils for DE and D (connect to V _{DD1})
7	D	Data input to bus
8	NC	No internal connection
9	GND ₂	Ground return for V _{DD2} (internally connected to pin 15)
10	NC	No internal connection
11	V _{DD2}	Output power supply
12	A	Non-inverting bus line
13	B	Inverting bus line
14	NC	No internal connection
15	GND ₂	Ground return for V _{DD2} (internally connected to pin 9)
16	V _{COIL2}	Coil for R



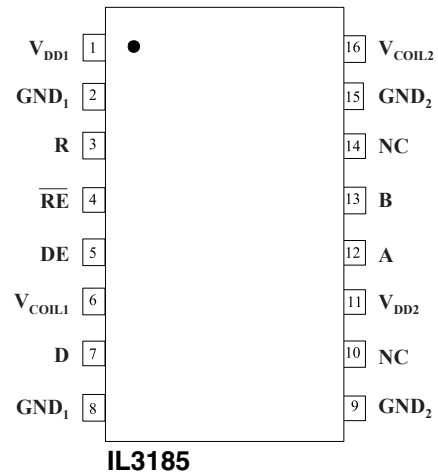
IL3122-3 Pin Connections (0.15" SOIC Package)

1	V _{DD1}	Input power supply
2	GND ₁	Ground return for V _{DD1}
3	R	Output data from bus
4	$\overline{\text{RE}}$	Read enable (if RE is high, R is high impedance)
5	DE	Drive enable
6	V _{COIL1}	Coils for DE and D (connect to V _{DD1})
7	D	Data input to bus
8	NC	No internal connection
9	GND ₂	Ground return for V _{DD2} (internally connected to pin 15)
10	Y	Non-inverting driver bus line
11	V _{DD2}	Output power supply
12	Z	Inverting driver bus line
13	B	Inverting receiver bus line
14	A	Non-inverting receiver bus line
15	GND ₂	Ground return for V _{DD2} (internally connected to pin 9)
16	V _{COIL2}	Coil for R



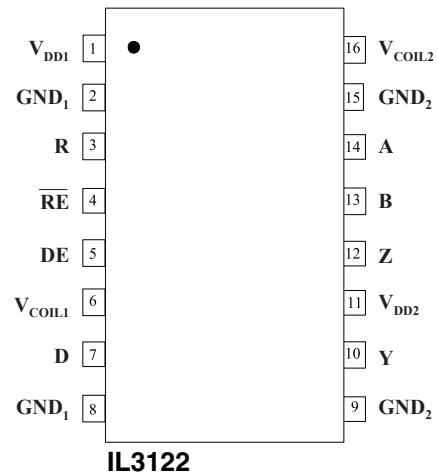
IL3185 Pin Connections (0.3" SOIC Package)

1	V _{DD1}	Input power supply
2	GND ₁	Ground return for V _{DD1}
3	R	Output data from bus
4	$\overline{\text{RE}}$	Read enable (if RE is high, R is high impedance)
5	DE	Drive enable
6	V _{COIL1}	Coils for DE and D (connect to V _{DD1})
7	D	Data input to bus
8	GND ₁	Internally connected to pin 2 for 0.3" package; no internal connection on 0.15" IL3185-3
9	GND ₂	Ground return for V _{DD2} (internally connected to pin 15)
10	NC	No internal connection
11	V _{DD2}	Output power supply
12	A	Non-inverting bus line
13	B	Inverting bus line
14	NC	No internal connection
15	GND ₂	Ground return for V _{DD2} (internally connected to pin 9)
16	V _{COIL2}	Coil for R



IL3122 Pin Connections (0.3" SOIC Package)

1	V _{DD1}	Input power supply
2	GND ₁	Ground return for V _{DD1}
3	R	Output data from bus
4	$\overline{\text{RE}}$	Read enable (if RE is high, R is high impedance)
5	DE	Drive enable
6	V _{COIL1}	Coils for DE and D (connect to V _{DD1})
7	D	Data input to bus
8	GND ₁	Internally connected to pin 2 for 0.3" package; no internal connection on 0.15" IL3122-3
9	GND ₂	Ground return for V _{DD2} (internally connected to pin 15)
10	Y	Non-inverting driver bus line
11	V _{DD2}	Output power supply
12	Z	Inverting driver bus line
13	B	Inverting receiver bus line
14	A	Non-inverting receiver bus line
15	GND ₂	Ground return for V _{DD2} (internally connected to pin 9)
16	V _{COIL2}	Coil for R



Driver Section

Electrical Specifications ($V_{DD1} = 3\text{ V} - 5.5\text{ V}$; $V_{DD2} = 4.5\text{ V} - 5.5\text{ V}$; $T = -40^{\circ}\text{C} - 85^{\circ}\text{C}$ unless otherwise stated)						
Parameters	Symbol	Min.	Typ.	Max.	Units	Test Conditions
Coil Input Resistance	R_{COIL}	47	85	112	Ω	$T = 25^{\circ}\text{C}$
Coil Input Resistance	R_{COIL}	31	85	128	Ω	$T = -40^{\circ}\text{C} - 85^{\circ}\text{C}$
Coil Resistance Temperature Coefficient	$TC R_{COIL}$		0.2	0.25	$\Omega/^{\circ}\text{C}$	
Coil Inductance	L_{COIL}		9		nH	
High Level Input Current	I_{INH}	0.5	1		mA	$t_{IR} = t_{IF} = 3\text{ ns}$; $C_{BOOST} = 16\text{ pF}$
Low Level Input Current	I_{INL}		3.5	5	mA	
Output voltage				V_{DD}	V	$I_O = 0$
Differential Output Voltage	$ V_{OD1} $			V_{DD}	V	$I_O = 0$
Differential Output Voltage	$ V_{OD2} $	2	3		V	$R_L = 100\ \Omega$, $V_{DD} = 5\text{ V}$
Differential Output Voltage ⁽⁶⁾	V_{OD3}	1.5	2.3		V	$R_L = 54\ \Omega$, $V_{DD} = 5\text{ V}$
Change in Magnitude ⁽⁷⁾ of Differential Output Voltage	$\Delta V_{OD} $			± 0.2	V	$R_L = 54\ \Omega$ or $100\ \Omega$
Common Mode Output Voltage	V_{OC}			3	V	$R_L = 54\ \Omega$ or $100\ \Omega$
Change in Magnitude ⁽⁷⁾ of Common Mode Output Voltage	$\Delta V_{OC} $			0.2	V	$R_L = 54\ \Omega$ or $100\ \Omega$
Output Current ⁽⁴⁾				1 -0.8	mA mA	Output disabled, $V_O = 12\text{ V}$ $V_O = -7\text{ V}$
Short-circuit Output Current	I_{OS}	60		250	mA	$-7\text{ V} < V_O < 12\text{ V}$
Supply Current	$(V_{DD2} = +5\text{ V})$		6	7	mA	No Load (Outputs Enabled)
	$(V_{DD1} = +5\text{ V})$		2.5	3		
Supply Current ($V_{DD1} = +3.3\text{ V}$)	I_{DD2}		1.3	2	mA	No Load (Outputs Enabled)
Common Mode Rejection	$ CM_H , CM_L $	15	20		kV/ μs	$V_T = 300\text{ V}_{peak}$

Switching Specifications ($V_{DD1} = 5\text{ V}$; $V_{DD2} = 5\text{ V}$; $T = -40^{\circ}\text{C} - 85^{\circ}\text{C}$)						
Parameters	Symbol	Min.	Typ.	Max.	Units	Test Conditions
Data Rate		5			Mbps	$R_L = 54\ \Omega$; $C_L = 50\text{ pF}$; $C_{boost} = 16\text{ pF}$
Differential Output Prop Delay	$t_D(OD)$		40	65	ns	
Pulse Skew ⁽¹⁰⁾	$t_{SK}(P)$		6	15	ns	
Differential Output Rise and Fall Time	$t_T(OD)$	3	12	25	ns	
Drive Enable Time to High Level	t_{PZH}		25	40	ns	
Drive Enable Time to Low Level	t_{PZL}		25	40	ns	
Drive Disable Time from High Level	t_{PHZ}		25	40	ns	
Drive Disable Time from Low Level	t_{PLZ}		25	40	ns	
Skew Limit ⁽³⁾	$t_{SK}(LIM)$			8	ns	

Switching Specifications ($V_{DD1} = 3.3\text{ V}$; $V_{DD2} = 5\text{ V}$; $T = -40^{\circ}\text{C} - 85^{\circ}\text{C}$)						
Parameters	Symbol	Min.	Typ.	Max.	Units	Test Conditions
Data Rate		5			Mbps	$R_L = 54\ \Omega$; $C_L = 50\text{ pF}$; $C_{boost} = 16\text{ pF}$
Differential Output Prop Delay	$t_D(OD)$		40	65	ns	
Pulse Skew ⁽¹⁰⁾	$t_{SK}(P)$		6	20	ns	
Differential Output Rise and Fall Time	$t_T(OD)$	3	12	25	ns	
Drive Enable Time to High Level	t_{PZH}		25	40	ns	
Drive Enable Time to Low Level	t_{PZL}		25	40	ns	
Drive Disable Time from High Level	t_{PHZ}		25	40	ns	
Drive Disable Time from Low Level	t_{PLZ}		25	40	ns	
Skew Limit ⁽³⁾	$t_{SK}(LIM)$			8	ns	

Receiver Section

Electrical Specifications ($V_{DD1} = 3\text{ V} - 5.5\text{ V}$; $V_{DD2} = 4.5\text{ V} - 5.5\text{ V}$; $T = -40^{\circ}\text{C} - 85^{\circ}\text{C}$ unless otherwise stated)						
Parameters	Symbol	Min.	Typ.	Max.	Units	Test Conditions
Coil Resistance	R_{COIL}	47	85	112	Ω	$T = 25^{\circ}\text{C}$
		31	85	128	Ω	$T = -40^{\circ}\text{C} - 85^{\circ}\text{C}$
Coil Resistance Temperature Coefficient	$\text{TC } R_{\text{COIL}}$		0.2	0.25	$\Omega/^{\circ}\text{C}$	
Positive-going Input Threshold	$V_{\text{IT+}}$			0.2	V	$-7\text{ V} < V_{\text{CM}} < 12\text{ V}$
Negative-going Input Threshold	$V_{\text{IT-}}$	-0.2			V	$-7\text{ V} < V_{\text{CM}} < 12\text{ V}$
Hysteresis Voltage ($V_{\text{it+}} - V_{\text{it-}}$)	V_{HYS}		70		mV	$V_{\text{CM}} = 0\text{ V}$, $T = 25^{\circ}\text{C}$
High Level Digital Output Voltage	V_{OH}	$V_{\text{DD}} - 0.2$	$V_{\text{DD}} - 0.2$		V	$V_{\text{ID}} = 200\text{ mV}$ $I_{\text{OH}} = 4\text{ mA}$
Low Level Digital Output Voltage	V_{OL}			0.8	V	$V_{\text{ID}} = -200\text{ mV}$ $I_{\text{OL}} = 4\text{ mA}$
High impedance state output current	I_{OZ}			10	μA	$0.4 \leq V_{\text{O}} \leq (V_{\text{DD2}} - 0.5)\text{ V}$
Line Input Current ⁽⁸⁾	I_{I}			1	mA	$V_{\text{I}} = 12\text{ V}$
				-0.8	mA	$V_{\text{I}} = -7\text{ V}$
Input Resistance	r_{I}	12	25		$\text{k}\Omega$	

Switching Specifications ($V_{DD1} = 5\text{ V}$; $V_{DD2} = 5\text{ V}$; $C_{\text{boost}} = 16\text{ pF}$; $T = -40^{\circ}\text{C} - 85^{\circ}\text{C}$)						
Parameters	Symbol	Min.	Typ.	Max.	Units	Test Conditions
Data Rate		5			Mbps	$R_{\text{L}} = 54\ \Omega$, $C_{\text{L}} = 50\ \text{pF}$
Propagation Delay ⁽⁹⁾	t_{PD}		50	85	ns	$-1.5 \leq V_{\text{O}} \leq 1.5\text{ V}$, $C_{\text{L}} = 15\ \text{pF}$
Pulse Skew ⁽¹⁰⁾	$t_{\text{SK}}(\text{P})$		10	17	ns	$-1.5 \leq V_{\text{O}} \leq 1.5\text{ V}$, $C_{\text{L}} = 15\ \text{pF}$
Skew Limit ⁽³⁾	$t_{\text{SK}}(\text{LIM})$		2	8	ns	$R_{\text{L}} = 54\ \Omega$, $C_{\text{L}} = 50\ \text{pF}$
Read Enable Time to High Level	t_{PZH}		4	40	ns	$C_{\text{L}} = 15\ \text{pF}$
Read Enable Time to Low Level	t_{PZL}		4	40	ns	
Read Disable Time from High Level	t_{PHZ}		4	40	ns	
Read Disable Time from Low Level	t_{PLZ}		4	40	ns	

Switching Specifications ($V_{DD1} = 3.3\text{ V}$; $V_{DD2} = 5\text{ V}$; $C_{\text{boost}} = 16\text{ pF}$; $T = -40^{\circ}\text{C} - 85^{\circ}\text{C}$)						
Parameters	Symbol	Min.	Typ.	Max.	Units	Test Conditions
Data Rate		5			Mbps	$R_{\text{L}} = 54\ \Omega$, $C_{\text{L}} = 50\ \text{pF}$
Propagation Delay ⁽⁹⁾	t_{PD}		55	85	ns	$-1.5 \leq V_{\text{O}} \leq 1.5\text{ V}$, $C_{\text{L}} = 15\ \text{pF}$
Pulse Skew ⁽¹⁰⁾	$t_{\text{SK}}(\text{P})$		12	20	ns	$-1.5 \leq V_{\text{O}} \leq 1.5\text{ V}$, $C_{\text{L}} = 15\ \text{pF}$
Skew Limit ⁽³⁾	$t_{\text{SK}}(\text{LIM})$		4	10	ns	$R_{\text{L}} = 54\ \Omega$, $C_{\text{L}} = 50\ \text{pF}$
Read Enable Time to High Level	t_{PZH}		5	10	ns	$C_{\text{L}} = 15\ \text{pF}$
Read Enable Time to Low Level	t_{PZL}		5	10	ns	
Read Disable Time from High Level	t_{PHZ}		5	10	ns	
Read Disable Time from Low Level	t_{PLZ}		17	10	ns	

Notes (apply to both driver and receiver sections):

- All voltages are with respect to network ground except differential I/O bus voltages.
- Differential input/output voltage is measured at the non-inverting terminal A with respect to the inverting terminal B.
- Skew limit is the maximum difference in any two channels in one device.
- The power-off measurement in ANSI Standard EIA/TIA-422-B applies to disabled outputs only and is not applied to combined inputs and outputs.
- All typical values are at V_{DD1} , $V_{\text{DD2}} = 5\text{ V}$ or $V_{\text{DD1}} = 3.3\text{ V}$ and $T_{\text{A}} = 25^{\circ}\text{C}$.
- While $-7\text{ V} < V_{\text{CM}} < 12\text{ V}$, the minimum V_{OD2} with a $54\ \Omega$ load is either $\frac{1}{2} V_{\text{OD1}}$ or 1.5 V , whichever is greater.
- $\Delta|V_{\text{OD}}|$ and $\Delta|V_{\text{OC}}|$ are the changes in magnitude of V_{OD} and V_{OC} , respectively, that occur when the input is changed from one logic state to the other.
- This applies for both power on and power off; refer to ANSI standard RS-485 for exact condition. The EIA/TIA-422-B limit does not apply for a combined driver and receiver terminal.
- Includes 10 ns read enable time. Maximum propagation delay is 25 ns after read assertion.
- Pulse skew is defined as the $|t_{\text{PLH}} - t_{\text{PHL}}|$ of each channel.

Applications Information

Input Resistor Values

The IL3122 and IL3185 are current-mode devices. Changes in input coil current switch internal spintronic GMR sensors. Inputs are logically high when the coil voltage is high, that is when there is no coil current.

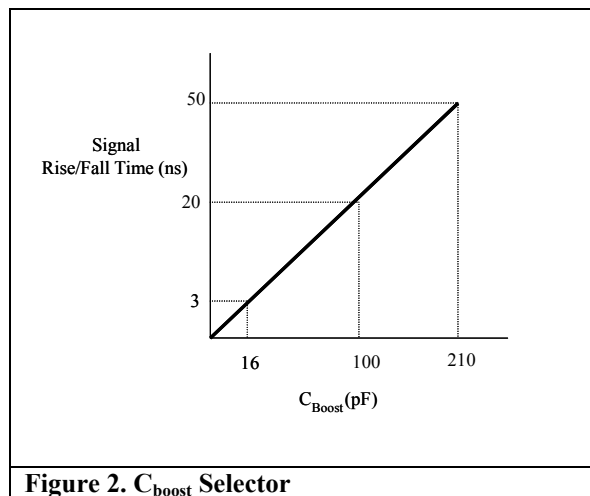
A single resistor is required to limit the input coil current to the 5 mA threshold current. The absolute maximum current through any coil is 25 mA.

Typical Input Resistor Values

V _{COIL}	0.125W, 5% Resistor
3.3 V	510 Ω
5 V	820 Ω

The table shows typical values for the external resistor in 5 V and 3 V logic systems. As always, these values are approximate and should be adjusted for temperature or other application specifics. If the expected temperature range is large, 1% tolerance resistors may provide additional design margin.

Boost Capacitor



The boost capacitor in parallel with the current-limiting resistor boosts the instantaneous coil current at the signal transition. This ensures switching and reduces propagation delay and reduces pulse-width distortion.

Select the value of the boost capacitor based on the rise and fall times of the signal driving the inputs. The instantaneous boost capacitor current is proportional to input edge speeds ($C \frac{dV}{dt}$). Select a capacitor value based on the rise and fall times of the input signal to be isolated that provides approximately 20 mA of additional “boost” current. Figure 2 is a guide to boost capacitor selection. For high-speed logic signals ($t_r, t_f < 10$ ns), a 16 pF capacitor is recommended. The capacitor value is generally not critical; if in doubt, choose a higher value up to a maximum of 470 pF.

Figure 2. C_{boost} Selector

RS-485 and RS-422 Busses

RS-485 and RS-422 are differential (balanced) data transmission standards for use over long distances or in noisy environments. RS-422 is an RS-485 subset, so RS-485 transceivers are also RS-422-compliant. RS-422 is a multi-drop standard allowing only one driver and up to 10 receivers on each bus (assuming unit load receivers). RS-485 is a true multipoint standard which allows up to 32 unit load devices (any combination of drivers and receivers) on each bus. To allow for multipoint operation, RS-485 requires drivers to handle bus contention without damage. Another important advantage of RS-485 is the extended common-mode range (CMR), which requires driver outputs and receiver inputs withstand +12 V to -7 V. RS-422 and RS-485 are intended for runs as long as 4,000 feet (1,200 m), so the wide CMR is necessary for ground potential differences, as well as voltages induced in the cable by external fields.

Receiver Features

IL3000 transceivers have differential input receivers for maximum noise immunity and common-mode rejection. Input sensitivity is ± 200 mV as required by the RS-422 and RS-485 specifications. The receivers include a “fail-safe if open” function that guarantees a high level receiver output if the receiver inputs are unconnected (floating). Receivers easily meet the data rates supported by the corresponding driver. IL3000-Series receiver outputs have tri-state capabilities with active low RE inputs.

Driver Features

The RS485/422 driver is a differential output device that delivers at least 1.5 V across a 54 Ω load (RS-485), and at least 2 V across a 100 Ω load (RS-422). The driver features low propagation delay skew to maximize bit width and minimize EMI. IL3122 and IL3185 drivers have tri-state capability with an active high DE input.

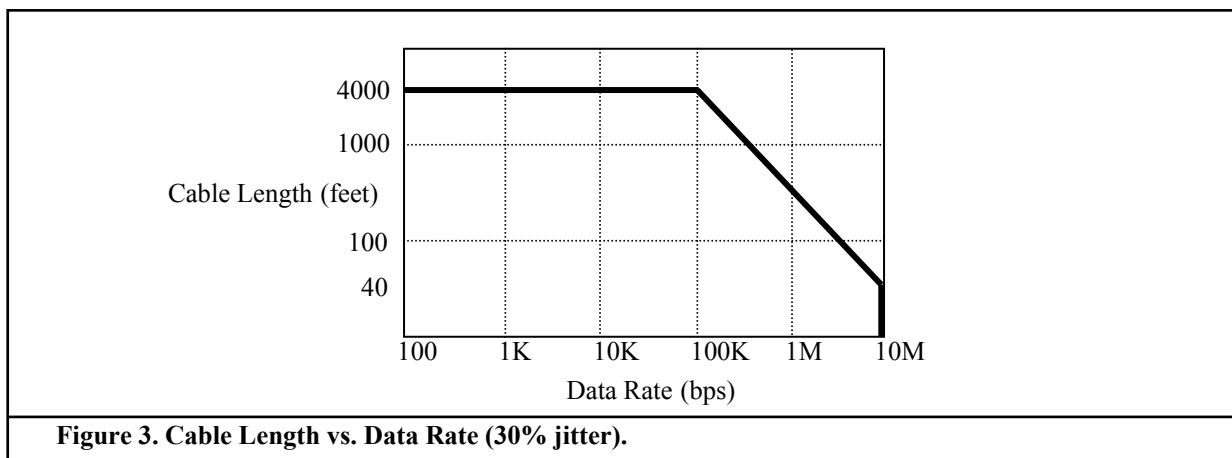
Cabling, Data Rate and Terminations

Cabling

Use twisted-pair cable. The cable can be unshielded if it is short (less than 10 meters) and the data rate is slow (less than 100 Kbps). Otherwise, use screened cable with the shield tied to earth ground at one end only. Do not tie the shield to digital ground. The other end of the shield may be tied to earth ground through an RC network. This prevents a DC ground loop in the shield. Shielded cable minimizes EMI emissions and external noise coupling to the bus.

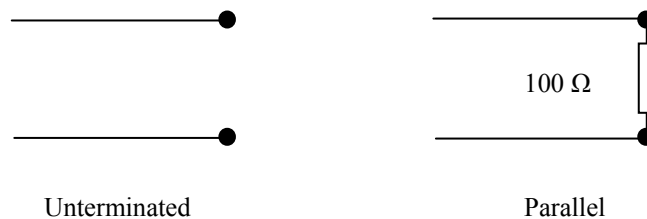
Data Rate

The longer the cable, the slower the data rate. The RS-485 bus can transmit ground over 4,000 feet (1,200 meters) or at 10 Mbps, but not both at the same time. Transducer and cable characteristics combine to act as a filter with the general response shown in Figure 3. Other parameters such as acceptable jitter affect the final cable length versus data rate tradeoff. Less jitter means better signal quality but shorter cable lengths or slower data rates. Figure 4 shows a generally accepted 30% jitter and a corresponding data rate versus cable length.



Terminations

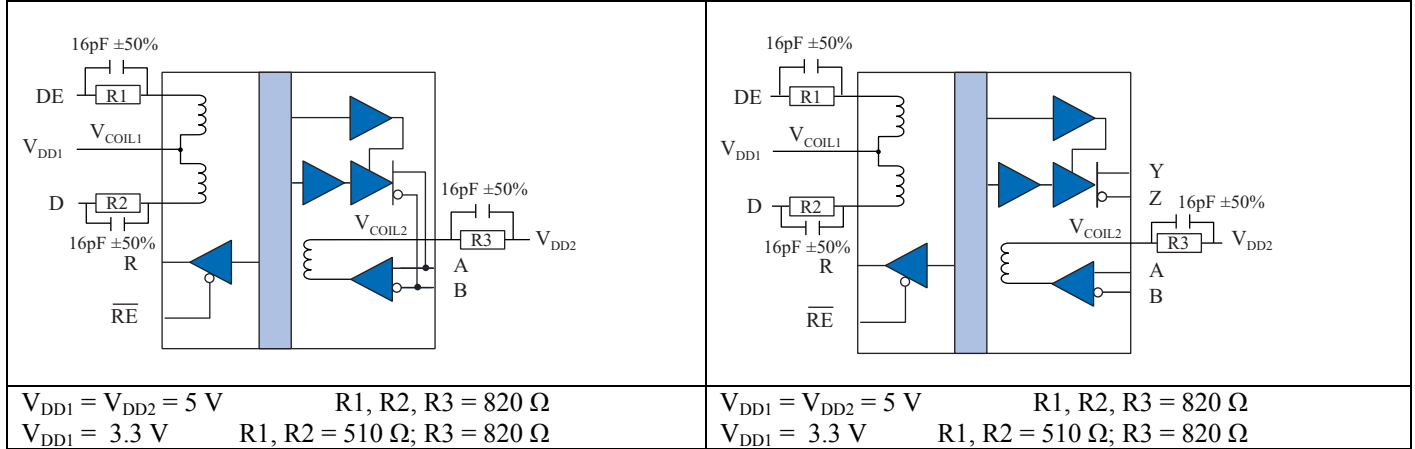
Transmission lines should be terminated to avoid reflections that cause data errors. In RS-485 systems both ends of the bus, not every node, should be terminated. In RS-422 systems only the receiver end should be terminated.



Proper termination is imperative when using IL3185 and IL3122 to minimize reflections. Unterminated lines are only suitable for very low data rates and very short cable runs, otherwise line reflections cause problems. Parallel terminations are the most popular. They allow high data rates and excellent signal quality.

Occasionally in noisy environments, fast pulses or noise appearing on the bus lines cause errors. One way of alleviating such errors without adding circuit delays is to place a series resistor in the bus line. Depending on the power supply, the resistor should be between 300 Ω (3 V supply) and 500 Ω (5 V supply).

Typical Coil Connections



Fail-Safe Operation

“Fail-safe operation” is defined here as the forcing of a logic high state on the “R” output in response to an open-circuit condition between the “A” and “B” lines of the bus, or when no drivers are active on the bus.

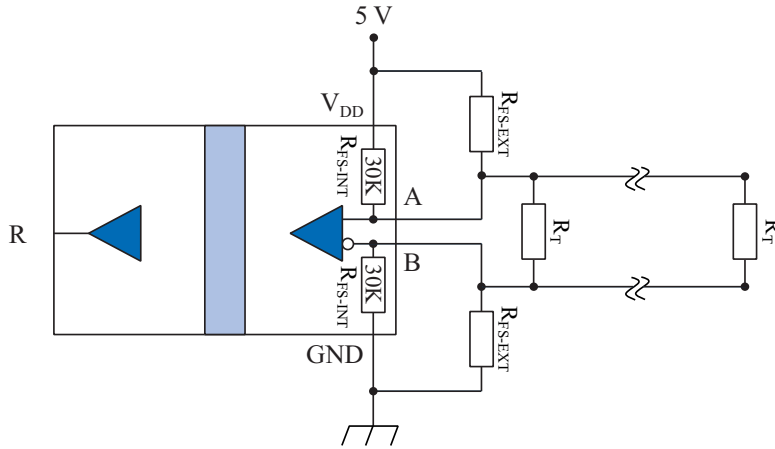
Proper biasing can ensure fail-safe operation, that is a known state when there are no active drivers on the bus. IL3185 and IL3122 Isolated Transceivers include internal pull-up and pull-down resistors of approximately 30 k Ω in the receiver section (R_{FS-INT} ; see figure on following page). These internal resistors are designed to ensure failsafe operation but only if there are no termination resistors. The entire V_{DD} will appear between inputs “A” and “B” if there is no loading and no termination resistors, and there will be more than the required 200 mV with up to four RS-485/RS-422 worst-case Unit Loads of 12 k Ω . Many designs operating below 1 Mbps or less than 1,000 feet are unterminated. Termination resistors may not be necessary for very low data rates and very short cable runs because reflections have time to settle before data sampling, which occurs at the middle of the bit interval.

In busses with low-impedance termination resistors, however, the differential voltage across the conductor pair will be close to zero with no active drivers. In this case the state of the bus is indeterminate, and the idle bus will be susceptible to noise. For example, with 120 Ω termination resistors (R_T) on each end of the cable, and four Unit Loads (12 k Ω each), without external fail-safe biasing resistors the internal pull-up and pull-down resistors will produce a voltage between inputs “A” and “B” of only about 5 mV. This is not nearly enough to ensure a known state. External fail-safe biasing resistors (R_{FS-EXT}) at one end of the bus can ensure fail-safe operation with a terminated bus. Resistors should be selected so that under worst-case power supply and resistor tolerances there is at least 200 mV across the conductor pair with no active drivers to meet the input sensitivity specification of the RS-422 and RS-485 standards.

Using the same value for pull-up and pull-down biasing resistors maintains balance for positive- and negative going transitions. Lower-value resistors increase inactive noise immunity at the expense of quiescent power consumption. Note that each Unit Load on the bus adds a worst-case loading of 12 k Ω across the conductor pair, and 32 Unit Loads add 375 Ω worst-case loading. The more loads on the bus, the lower the required values of the biasing resistors.

In the example with two 120 Ω termination resistors and four Unit Loads, 560 Ω external biasing resistors provide more than 200 mV between “A” and “B” with adequate margin for power supply variations and resistor tolerances. This ensures a known state when there are no active drivers. Other illustrative examples are shown in the following table:

Fail-Safe Biasing



R_{FS-EXT}	R_T	Loading	Nominal V_{A-B} (inactive)	Fail-Safe Operation?
Internal Only	None	Four unit loads (12 k Ω ea.)	238 mV	Yes
Internal Only	120 Ω	Four unit loads (12 k Ω ea.)	5 mV	No
560 Ω	120 Ω	Four unit loads (12 k Ω ea.)	254 mV	Yes
510 Ω	120 Ω	32 unit loads (12 k Ω ea.)	247 mV	Yes

Power Supply Decoupling

Both V_{DD1} and V_{DD2} should be bypassed with 47 nF low-ESR ceramic capacitors. These should be placed as close as possible to V_{DD} pins. V_{DD2} should also be bypassed with a 10 μ F tantalum capacitor.

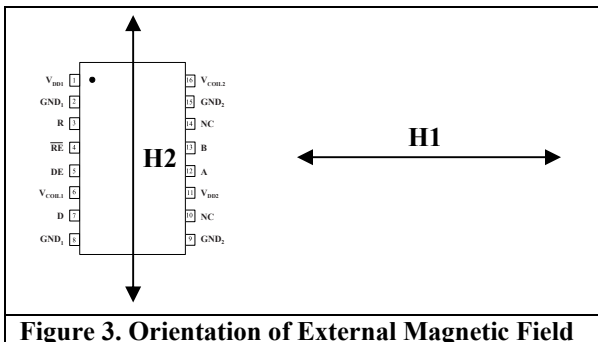
Maintaining Creepage

Creepage distances are often critical in isolated circuits. In addition to meeting JEDEC standards, NVE isolator packages have unique creepage specifications. Standard pad libraries often extend under the package, compromising creepage and clearance. Similarly, ground planes, if used, should be spaced to avoid compromising clearance. Package drawings and recommended pad layouts are included in this datasheet.

Magnetic Field Immunity

IsoLoop Isolators operate by imposing a magnetic field on a GMR sensor, which translates the change in field into a change in logic state. A magnetic shield and a Wheatstone Bridge configuration provide good immunity to external magnetic fields. Immunity to external magnetic fields can be enhanced by proper orientation of the device with respect to the field direction and larger boost capacitors.

An applied field in the “H1” direction is the worst case for magnetic immunity. In this case the external field is in the same direction as the applied internal field. In one direction it will tend to help switching; in the other it will hinder switching. This can cause unpredictable operation.



An applied field in the direction of “H2” has considerably less effect on the sensor and will result in significantly higher immunity levels as shown in Table 1.

The greatest magnetic immunity is achieved by adding a larger boost capacitor across the input resistor. Very high immunity can be achieved with this method.

Figure 3. Orientation of External Magnetic Field

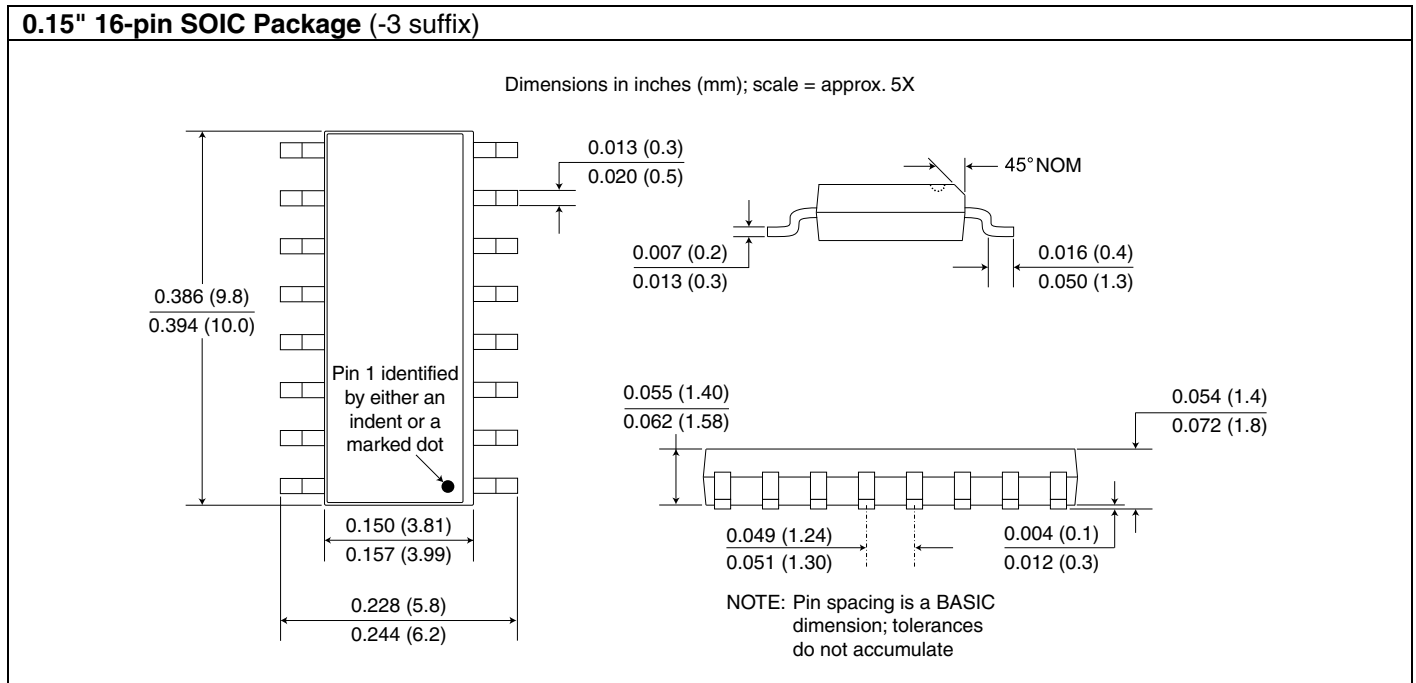
Method	Approximate Immunity	Immunity Description
Field applied in direction H1	±20 Gauss	A DC current of 16 A flowing in a conductor 1 cm from the device could cause disturbance
Field applied in direction H2	±70 Gauss	A DC current of 56 A flowing in a conductor 1 cm from the device could cause disturbance
Field applied in any direction but with boost capacitor (470 pF) in circuit	±250 Gauss	A DC current of 200 A flowing in a conductor 1 cm from the device could cause disturbance
Table 1. Magnetic Immunity		

Data Rate and Magnetic Field Immunity

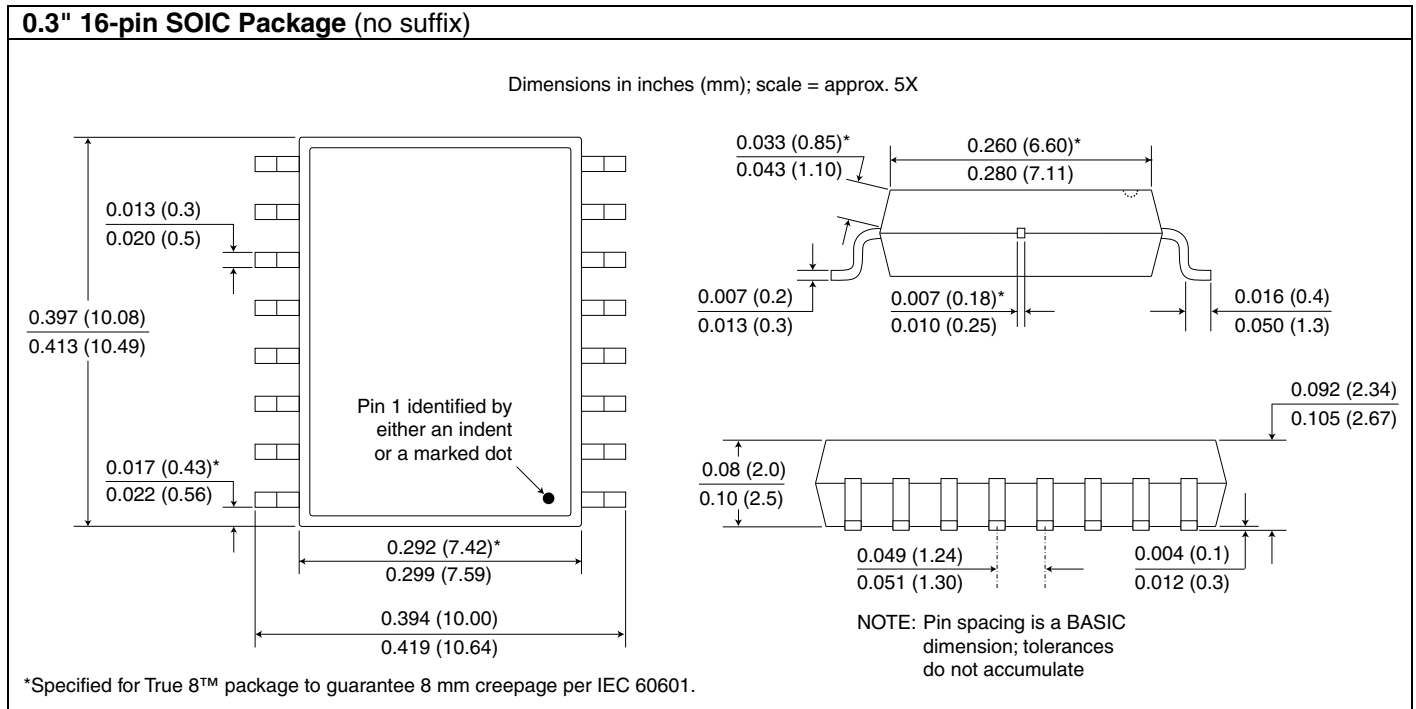
It is easier to disrupt an isolated DC signal with an external magnetic field than it is to disrupt an isolated AC signal. Similarly, a DC magnetic field will have a greater effect on the device than an AC magnetic field of the same effective magnitude. For example, signals with pulses longer than 100 μ s are more susceptible to magnetic fields than shorter pulse widths. For input signals faster than 1 MHz, rising in less than 3 ns, a 470 pF field-boost capacitor provides as much as 400 Gauss immunity, while the same input capacitor might provide just 70 Gauss immunity at 50 kHz.

Package Drawings

0.15" 16-pin SOIC Package (-3 suffix)



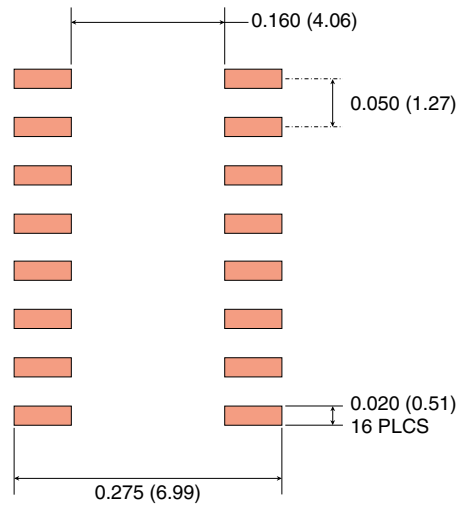
0.3" 16-pin SOIC Package (no suffix)



Recommended Pad Layouts

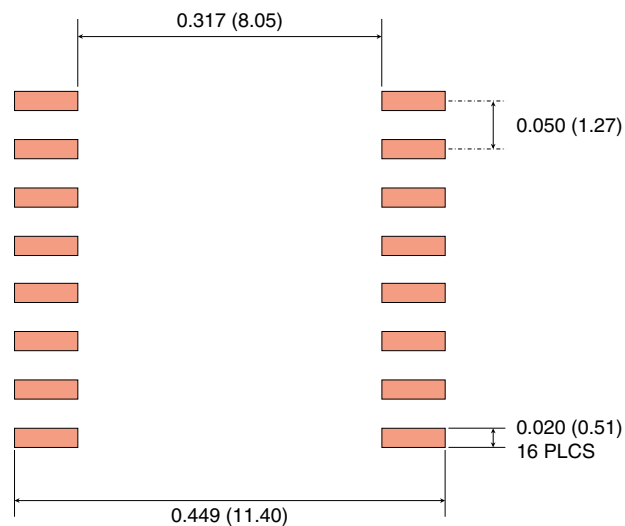
0.15" 16-pin SOIC Pad Layout

Dimensions in inches (mm); scale = approx. 5X



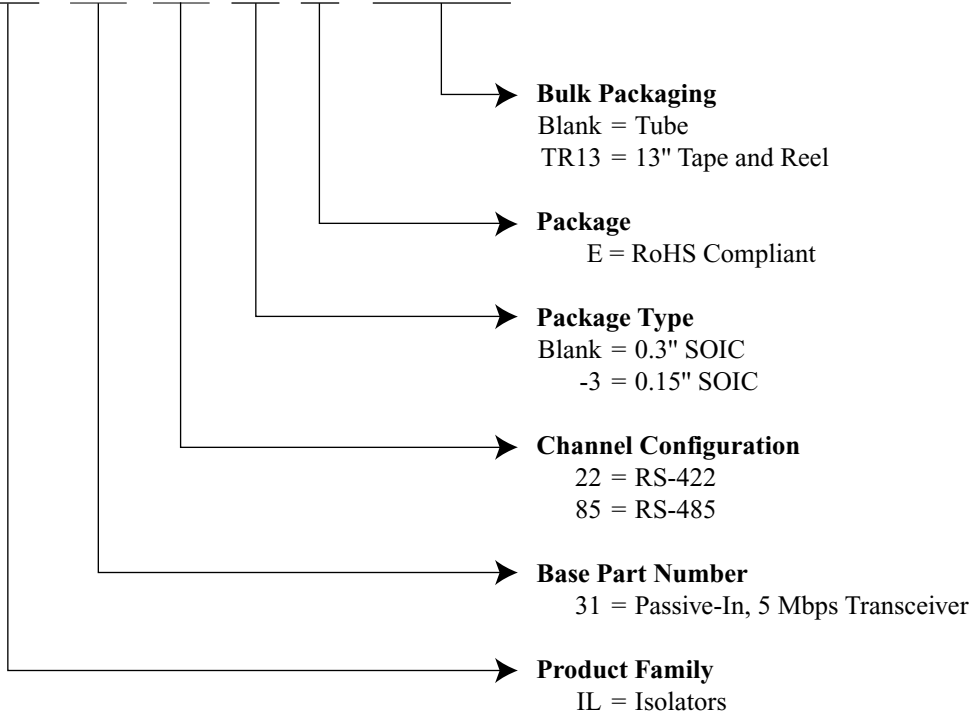
0.3" 16-pin SOIC Pad Layout

Dimensions in inches (mm); scale = approx. 5X



Ordering Information and Valid Part Numbers

IL 31 85 -3 E TR13



Valid Part Numbers

IL3185E
IL3185E TR13
IL3185-3E
IL3185-3E TR13

IL3122E
IL3122E TR13
IL3122-3E
IL3122-3E TR13



Revision History

ISB-DS-001 IL3185/22-P
November 2013

Changes

- IEC 60747-5-5 (VDE 0884) certification.
- Upgraded from MSL 2 to MSL 1.
- Rearranged low level input current specification so maximum is more than minimum.

ISB-DS-001 IL3185/22-O

Changes

- Added VDE 0884 pending.
- Clarified switching specifications.
- Updated package drawings.
- Added recommended solder pad layouts.

ISB-DS-001 IL3185/22-N

Changes

- Detailed isolation and barrier specifications.
- Cosmetic changes.

ISB-DS-001-IL3185/22-M

Changes

- Added minimum/maximum coil resistance specifications.
- Misc. cosmetic changes.

ISB-DS-001-IL3185/22-L

Changes

- Update terms and conditions.

ISB-DS-001-IL3185/22-K

Changes

- Clarified ground pin connections (pp. 3-4).

ISB-DS-001-IL3185/22-J

Changes

- Changes to current-limiting resistor values (pp. 7 and 10).
- Details for boost capacitor selection (p. 7).

ISB-DS-001-IL3185/22-I

Changes

- Noted UL1577 approval.

ISB-DS-001-IL3185/22-H

Changes

- Added bus-protection ESD specification (15 kV).

ISB-DS-001-IL3185/22-G

Changes

- Added typical coil resistance and temperature coefficient specifications.
- Added note on package drawings that pin-spacing tolerances are non-accumulating.

ISB-DS-001-IL3185/22-F

Changes

- Changed ordering information to reflect that devices are now fully RoHS compliant with no exemptions.

ISB-DS-001-IL3185/22-E

Changes

- Eliminated soldering profile chart

Datasheet Limitations

The information and data provided in datasheets shall define the specification of the product as agreed between NVE and its customer, unless NVE and customer have explicitly agreed otherwise in writing. All specifications are based on NVE test protocols. In no event however, shall an agreement be valid in which the NVE product is deemed to offer functions and qualities beyond those described in the datasheet.

Limited Warranty and Liability

Information in this document is believed to be accurate and reliable. However, NVE does not give any representations or warranties, expressed or implied, as to the accuracy or completeness of such information and shall have no liability for the consequences of use of such information.

In no event shall NVE be liable for any indirect, incidental, punitive, special or consequential damages (including, without limitation, lost profits, lost savings, business interruption, costs related to the removal or replacement of any products or rework charges) whether or not such damages are based on tort (including negligence), warranty, breach of contract or any other legal theory.

Right to Make Changes

NVE reserves the right to make changes to information published in this document including, without limitation, specifications and product descriptions at any time and without notice. This document supersedes and replaces all information supplied prior to its publication.

Use in Life-Critical or Safety-Critical Applications

Unless NVE and a customer explicitly agree otherwise in writing, NVE products are not designed, authorized or warranted to be suitable for use in life support, life-critical or safety-critical devices or equipment. NVE accepts no liability for inclusion or use of NVE products in such applications and such inclusion or use is at the customer's own risk. Should the customer use NVE products for such application whether authorized by NVE or not, the customer shall indemnify and hold NVE harmless against all claims and damages.

Applications

Applications described in this datasheet are illustrative only. NVE makes no representation or warranty that such applications will be suitable for the specified use without further testing or modification.

Customers are responsible for the design and operation of their applications and products using NVE products, and NVE accepts no liability for any assistance with applications or customer product design. It is customer's sole responsibility to determine whether the NVE product is suitable and fit for the customer's applications and products planned, as well as for the planned application and use of customer's third party customers. Customers should provide appropriate design and operating safeguards to minimize the risks associated with their applications and products.

NVE does not accept any liability related to any default, damage, costs or problem which is based on any weakness or default in the customer's applications or products, or the application or use by customer's third party customers. The customer is responsible for all necessary testing for the customer's applications and products using NVE products in order to avoid a default of the applications and the products or of the application or use by customer's third party customers. NVE accepts no liability in this respect.

Limiting Values

Stress above one or more limiting values (as defined in the Absolute Maximum Ratings System of IEC 60134) will cause permanent damage to the device. Limiting values are stress ratings only and operation of the device at these or any other conditions above those given in the recommended operating conditions of the datasheet is not warranted. Constant or repeated exposure to limiting values will permanently and irreversibly affect the quality and reliability of the device.

Terms and Conditions of Sale

In case an individual agreement is concluded only the terms and conditions of the respective agreement shall apply. NVE hereby expressly objects to applying the customer's general terms and conditions with regard to the purchase of NVE products by customer.

No Offer to Sell or License

Nothing in this document may be interpreted or construed as an offer to sell products that is open for acceptance or the grant, conveyance or implication of any license under any copyrights, patents or other industrial or intellectual property rights.

Export Control

This document as well as the items described herein may be subject to export control regulations. Export might require a prior authorization from national authorities.

Automotive Qualified Products

Unless the datasheet expressly states that a specific NVE product is automotive qualified, the product is not suitable for automotive use. It is neither qualified nor tested in accordance with automotive testing or application requirements. NVE accepts no liability for inclusion or use of non-automotive qualified products in automotive equipment or applications.

In the event that customer uses the product for design-in and use in automotive applications to automotive specifications and standards, customer (a) shall use the product without NVE's warranty of the product for such automotive applications, use and specifications, and (b) whenever customer uses the product for automotive applications beyond NVE's specifications such use shall be solely at customer's own risk, and (c) customer fully indemnifies NVE for any liability, damages or failed product claims resulting from customer design and use of the product for automotive applications beyond NVE's standard warranty and NVE's product specifications.

An ISO 9001 Certified Company

NVE Corporation
11409 Valley View Road
Eden Prairie, MN 55344-3617 USA
Telephone: (952) 829-9217
Fax: (952) 829-9189
www.nve.com
e-mail: iso-info@nve.com

©NVE Corporation
All rights are reserved. Reproduction in whole or in part is prohibited without the prior written consent of the copyright owner.

ISB-DS-001-IL3185/22-P

November 2013

X-ON Electronics

Largest Supplier of Electrical and Electronic Components

Click to view similar products for [Digital Isolators](#) category:

Click to view products by [NVE](#) manufacturer:

Other Similar products are found below :

[ADUM1281WARZ](#) [ADUM3160WBRWZ](#) [ADUM1280WARZ](#) [ADUM1442ARSZ-RL7](#) [ADUM5230WARWZ](#) [ADUM1285WARZ](#)
[ADUM1285WCRZ](#) [ADUM1286WCRZ](#) [ADUM1445ARSZ-RL7](#) [ADUM1285WBRZ](#) [ADUM1280WCRZ](#) [ADN4652BRWZ-RL7](#)
[MAX14850ASE+T](#) [MAX14932AAWE](#) [ISO1I813T](#) [ADUM2251WARWZ](#) [MAX14850AEE+T](#) [ADUM3471WARSZ](#) [ADUM3472WARSZ](#)
[ADUM2250WARWZ](#) [SI8380P-IUR](#) [MAX12931FASA+](#) [ADUM3211TRZ-EP-RL7](#) [ADP1032ACPZ-2-R7](#) [ADUM7223ACCZ-R7](#)
[ADP1032ACPZ-4-R7](#) [ADP1032ACPZ-1-R7](#) [ADP1032ACPZ-5-R7](#) [ADP1032ACPZ-3-R7](#) [ADUM3301WARWZ](#) [SI8388P-IUR](#)
[ADUM141E0WBRQZ-RL7](#) [ADUM141E0WBRQZ](#) [ADN4651BRWZ-RL7](#) [ADUM1246ARZ-RL7](#) [140U30](#) [MCP2022A-330E/ST](#)
[MCP2022A-500E/ST](#) [MCP2021-500E/P](#) [MCW1001A-I/SS](#) [IL260-1E](#) [IL260VE](#) [IL261-1E](#) [IL261VE](#) [IL262E](#) [IL3122E](#) [IL3185-3E](#) [IL3485-3E](#) [IL3685E](#) [IL514E](#)