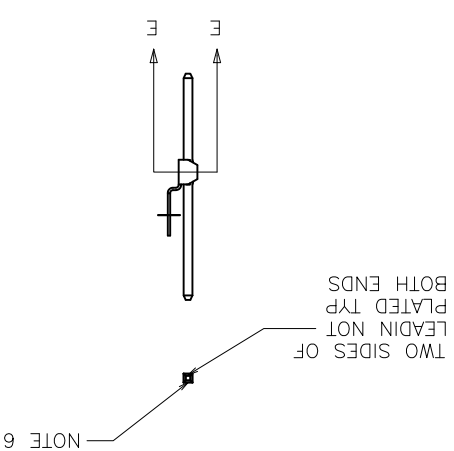
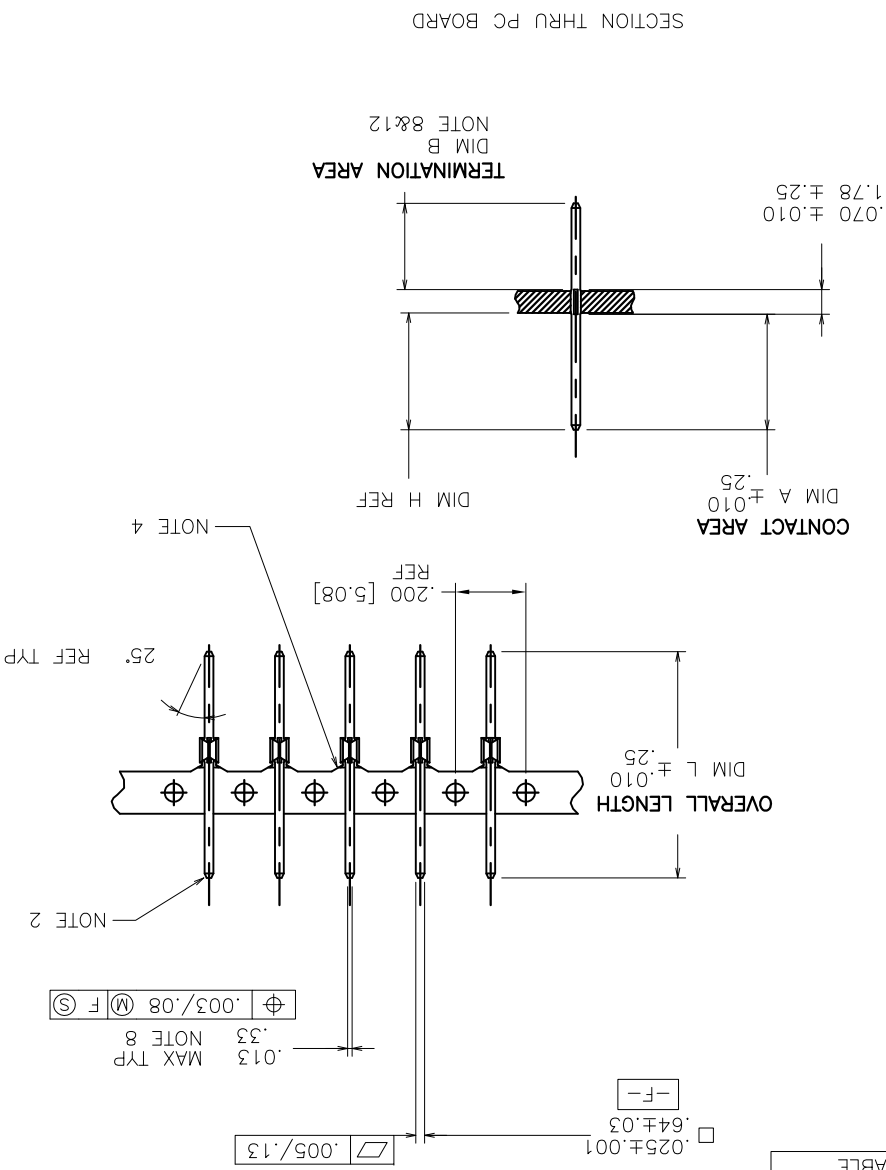


PRODUCT NUMBER
SEE TABLE

Copyright FCI



FCIconnect.com



TWO SIDES OF
LEADIN NOT
PLATED TYP
BOTH ENDS

NOTE 6

mat'l code	surface	tolerance	ASME Y14.5	projection	product family	PIN PRODUCTS	title	BERGPIN® .200" [5.08] cc .039" [0.99] DIA. STAR	dwg no	75401	sheet 1 of 5 size	A4	type	CUSTOMER Drawing
itr	ecn no	dr	date	tolerances unless otherwise specified	angles	degrees	inches	mm	scale	1:1	INCH/MM	projection	product family	PIN PRODUCTS
BC	V08-0353	HTB	2008-08-14	XXXX+005/XX+13	XX+01/X+3									
BD	V08-0496	HTB	2008-11-12	XXXX+020/XXX+051										
BE	V10-0386	HTB	2010-10-20											
AY	V01279	LSS	2000-05-25											
BA	V05-0399	HTB	2005-04-28											
BB	V06-0684	HTB	2006-07-21											
Sheet	revision	BE	BE	BE	BE	BE	BE	BE	BE	BE	BE	BE	BE	BE
index	Sheet	1	2	3	4	5	6	7	8	9	10	11	12	13

SECTION THRU PC BOARD

TERMINATION AREA
DIM B
NOTE 8&12

CONTACT AREA
DIM A ±.010
.25

DIM H REF

REF
.200 [5.08]

OVERALL LENGTH
DIM L ±.010
.25

REF TYP

25

NOTE 2

⊕ .003/.08 (M) F (S)

.013 MAX TYP
.33 NOTE 8

□ .025±.001
.64±.03

▱ .005/.13

4

3

2

1

4

3

2

1

PRODUCT NUMBER	CONTACT AREA	TERMINATION AREA	DIM C			DIM H FOR .062 BOARD	DIM H FOR .125 BOARD	DIM H FOR .18 BOARD	OVERALL LENGTH	CUSTOMER RESTRICTED DIM L	
7540X-001	.230/5.84	.045/1.14	.039/.99	NOTE	9	.235/5.97	.220/5.59	.205/5.21	.345/8.76	NO	
7540X-002	.265/6.73	.045/1.14	.039/.99	NOTE	9	.270/6.86	.255/6.48	.240/6.10	.380/9.65	NO	
7540X-003	.345/8.76	.045/1.14	.039/.99	NOTE	9	.350/8.89	.335/8.51	.320/8.13	.460/11.68	NO	
7540X-004	.400/10.16	.045/1.14	.039/.99	NOTE	9	.405/10.29	.390/9.91	.375/9.53	.515/13.08	NO	
7540X-005	.415/10.54	.045/1.14	.039/.99	NOTE	9	.420/10.67	.405/10.29	.390/9.91	.530/13.46	NO	
7540X-006	.435/11.05	.045/1.14	.039/.99	NOTE	9	.440/11.18	.425/10.80	.410/10.41	.550/13.97	NO	
7540X-007	.465/11.81	.045/1.14	.039/.99	NOTE	9	.470/11.94	.455/11.56	.440/11.18	.580/14.73	NO	
7540X-008	.515/13.08	.045/1.14	.039/.99	NOTE	9	.520/13.21	.505/12.83	.490/12.45	.630/16.00	NO	
7540X-009	.570/14.48	.045/1.14	.039/.99	NOTE	9	.575/14.61	.560/14.22	.545/13.84	.685/17.40	NO	
7540X-010	.585/14.86	.045/1.14	.039/.99	NOTE	9	.590/14.99	.575/14.61	.560/14.22	.700/17.78	NO	
7540X-011	.635/16.13	.045/1.14	.039/.99	NOTE	9	.640/16.26	.625/15.88	.610/15.49	.750/19.05	NO	
7540X-012	.655/16.64	.045/1.14	.039/.99	NOTE	9	.660/16.76	.645/16.38	.630/16.00	.770/19.56	NO	
7540X-013	.745/18.92	.045/1.14	.039/.99	NOTE	9	.750/19.05	.735/18.67	.720/18.29	.860/21.84	NO	
7540X-014	.265/6.73	.245/6.22	.039/.99	NOTE	9	.270/6.86	.255/6.48	.240/6.10	.580/14.73	NO	
7540X-015	.345/8.76	.245/6.22	.039/.99	NOTE	9	.350/8.89	.335/8.51	.320/8.13	.660/16.76	NO	
7540X-016	.400/10.16	.245/6.22	.039/.99	NOTE	9	.405/10.29	.390/9.91	.375/9.53	.715/18.16	NO	
7540X-017	.465/11.81	.245/6.22	.039/.99	NOTE	9	.470/11.94	.455/11.56	.440/11.18	.780/19.81	NO	
7540X-018	.570/14.48	.245/6.22	.039/.99	NOTE	9	.575/14.61	.560/14.22	.545/13.84	.885/22.48	NO	
7540X-019	.625/15.88	.245/6.22	.039/.99	NOTE	9	.630/16.00	.615/15.62	.600/15.24	.940/23.88	NO	
7540X-020	.655/16.64	.245/6.22	.039/.99	NOTE	9	.660/16.76	.645/16.38	.630/16.00	.970/24.64	NO	
7540X-021	.265/6.73	.355/9.02	.039/.99	NOTE	9	.270/6.86	.255/6.48	.240/6.10	.690/17.53	NO	
7540X-022	.345/8.76	.355/9.02	.039/.99	NOTE	9	.350/8.89	.335/8.51	.320/8.13	.770/19.56	NO	
7540X-023	.400/10.16	.355/9.02	.039/.99	NOTE	9	.405/10.29	.390/9.91	.375/9.53	.825/20.96	NO	
7540X-024	.465/11.81	.355/9.02	.039/.99	NOTE	9	.470/11.94	.455/11.56	.440/11.18	.890/22.61	NO	
7540X-025	.570/14.48	.355/9.02	.039/.99	NOTE	9	.575/14.61	.560/14.22	.545/13.84	.995/25.27	NO	
7540X-026	.625/15.88	.355/9.02	.039/.99	NOTE	9	.630/16.00	.615/15.62	.600/15.24	1.050/26.67	NO	
7540X-027	.655/16.64	.355/9.02	.039/.99	NOTE	9	.660/16.76	.645/16.38	.630/16.00	1.080/27.43	NO	
7540X-028	.305/7.75	.035/0.89	.039/.99	NOTE	9	.310/7.87	.295/7.49	.280/7.11	.410/10.41	NO	
7540X-029	.755/19.18	.345/8.76	.039/.99	NOTE	9	.760/19.30	.745/18.92	.730/18.54	1.170/29.72	NO	
7540X-030	.710/18.03	.345/8.76	.039/.99	NOTE	9	.715/18.16	.700/17.78	.685/17.40	1.125/28.58	NO	
7540X-031	.545/13.84	.198/5.03	.039/.99	NOTE	9	.550/13.97	.535/13.59	.520/13.21	.813/20.65	NO	
7540X-032											
7540X-033	.335/8.51	.375/9.53	.039/.99	NOTE	9	.340/8.64	.325/8.26	.310/7.87	.780/19.81	NO	
7540X-034	.535/13.59	.045/1.14	.039/.99	NOTE	9	.540/13.72	.525/13.34	.510/12.95	.650/16.51	NO	
7540X-035	.560/14.22	.260/6.60	.039/.99	NOTE	9	.565/14.35	.550/13.97		.890/22.61	NO	

DISCONTINUED

mat'l code	SEE NOTE 1	date		dr		ecn no		titl	
surface tolerance unless otherwise specified	ASME Y14.5	tolerance							
angles	XX+0/X-3	INCH/MM							
tolerances	XXXX+0020/XXX+051	scale	1:1						
dwg no	75401	sheet 3 of 5	size	A4					
type	CUSTOMER Drawing								

B

A

4

4

2

3

3

1

1 | 2

X-ON Electronics

Largest Supplier of Electrical and Electronic Components

Click to view similar products for [Terminals](#) category:

Click to view products by [FCT Electronics](#) manufacturer:

Other Similar products are found below :

[HT-13-10](#) [71M-250-32-NB](#) [01-2065-1-0216](#) [00581P0075](#) [M10-10RX](#) [M10BCK](#) [60205-1](#) [604200-1](#) [60598-1-CUT-TAPE](#) [60617-1-C](#) [60873-1](#) [M14-516R/SK](#) [M14-6RSX](#) [M18-10FLX](#) [M18-8FBX](#) [M18-8R/LX](#) [M18BCK](#) [61314-6-C](#) [61-S](#) [61-SN-A](#) [62-NBM-A](#) [63-S](#) [640179-1](#) [640917-2-CUT-TAPE](#) [6501550002](#) [66107-2-C](#) [66107-4-C](#) [696683-1](#) [696834-1](#) [696861-1](#) [696931-1](#) [696999-1](#) [M8-516RK](#) [M86700006](#) [MA250DMFMX-A](#) [701-2007](#) [701-2307](#) [701-7761-03](#) [70F-110-32-PB](#) [718-N-A](#) [71M-187-20-NBL](#) [71M-250-32-NBL](#) [72F-187-20-NBL](#) [72M-250-32-NBL](#) [7310](#) [73F-250-32](#) [73F-250-32-NBL](#) [73F-250-32-NL](#) [F14-10C](#) [F-1M](#)