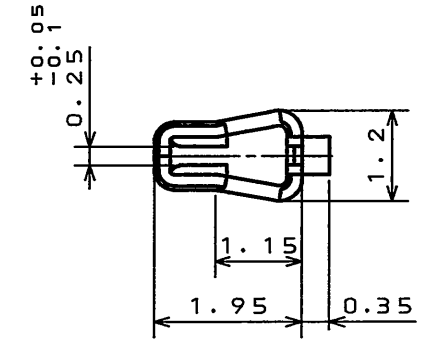
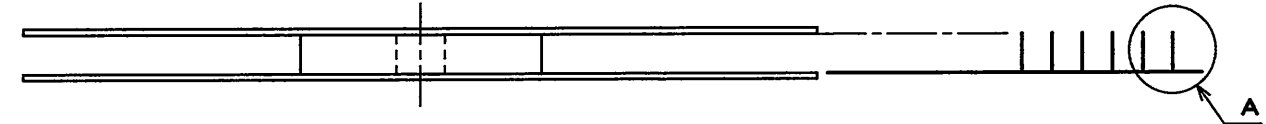
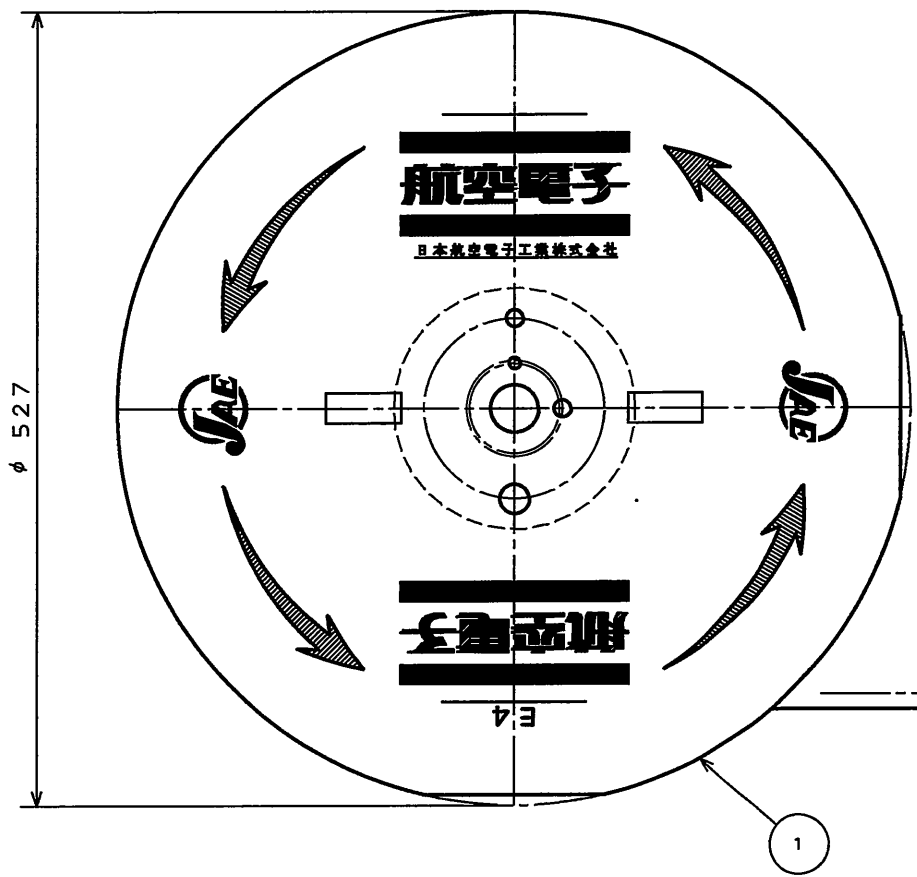


7Z70277  
 (ON 0NIMARD) 台号理図

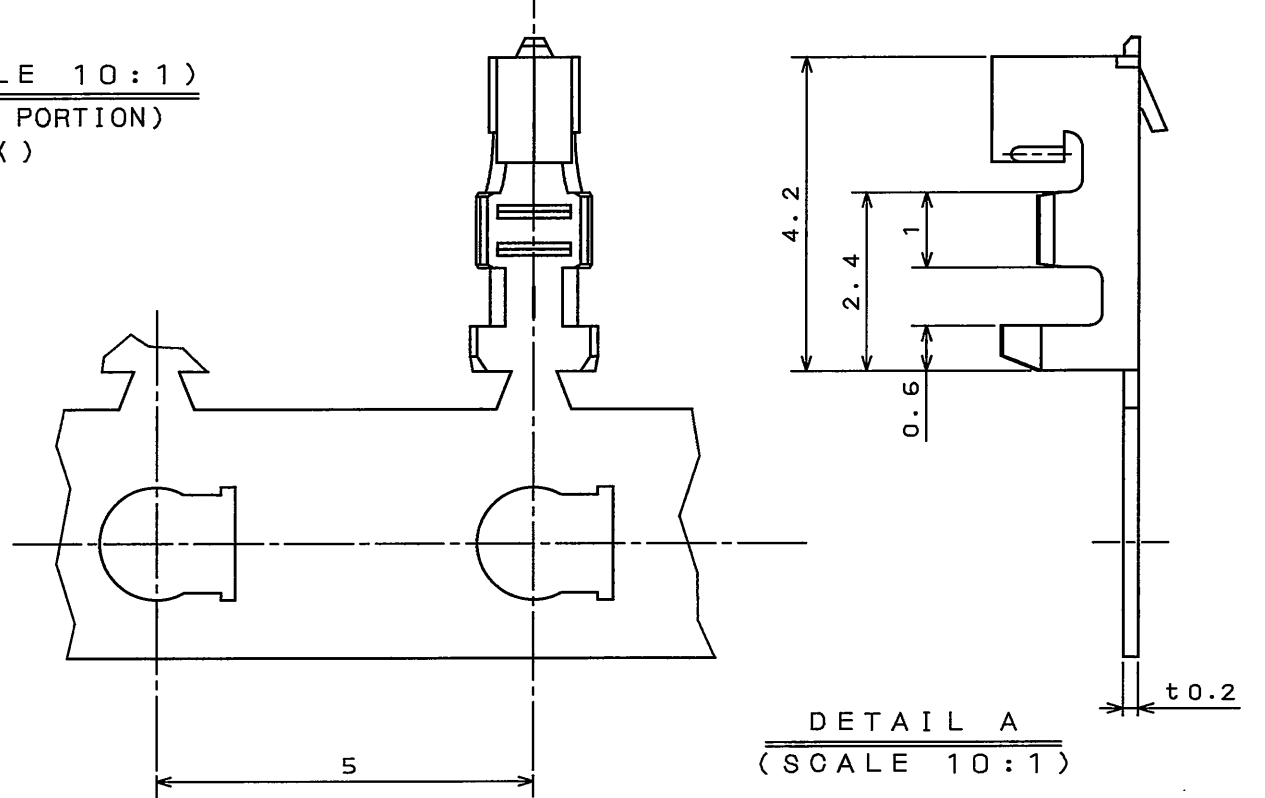
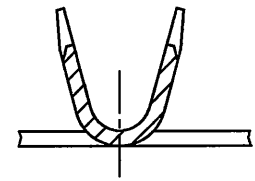
| 版数<br>REV. | 年月日<br>DATE | DCN NO. | 変更内容<br>DESCRIPTION                   | 製図<br>DR.              | 担当<br>CHK. | 査閲<br>APPD. | 承認<br>APPD. |
|------------|-------------|---------|---------------------------------------|------------------------|------------|-------------|-------------|
| 2          | 8.Sep.1989  | 25662   | REVISED MAGAZINE FORM, REDRAWN        |                        |            |             |             |
| 3          | 31.Jul.1991 | 29097   | DELETE NOTE 5                         | J.ICHIMAYA<br>(KITADA) | K.IBARAKI  | T.KOSUGE    | H.FUJINO    |
| 4          | 18.Mar.2010 | 069662  | REVISED NOTE 4 AND JAPANESE-BILINGUAL | M.SAITOU               | N.UCHIYAMA |             | Y.MIZUSAWA  |
| 5          | 15.Jul.2010 | 070319  | REVISED APPLICABLE WIRE DIAMETER      | M.SAITOU               | N.UCHIYAMA |             | y. MIZUSAWA |



EXCLUDING CRIMP POT  
 クリンプポット部を除く



DETAIL B (SCALE 10:1)  
 (EXCLUDING MATED PORTION)  
 (嵌合部を除く)



- NOTE 1. INSERT PIN: □0.4<sup>±0.05</sup>
- △ 2. APPLICABLE WIRE : #26~#30AWG, STRANDED.  
 APPLICABLE WIRE INSULATION OUTER φ0.7 to φ1.0.
  - 3. NO PLATING ON THE SHEARED AREA OF CONTACT.
  - △ 4. APPLICABLE CRIMPING MACHINE FOR  
 IL-Y-C3-A-10000(MAGAZINE ASS'Y) IS 350-ILY-2B
- 注 1. 挿入ピンは□0.4<sup>±0.05</sup>とする。
- △ 2. 使用電線はAWG#26~#30の撚線とし、被覆外径はφ0.7~φ1.0
  - 3. 剪断面に、メッキは付かない。
  - △ 4. IL-Y-C3-A-10000(マガジンアッセンブリ)は、次の半自動圧着機に装着する。350-ILY-2B

| 3   | SOCKET CONTACT    | 10000                              | PHOSPHOR BRONZE | TIN PLATING   |                                |
|---|-------------------|------------------------------------|-----------------|---|--------------------------------|
| 2   | TAPE              | 1                                  | PAPER           |   |                                |
| 1   | MAGAZINE          | 1                                  | PAPER           |   |                                |
| 符号<br>NO.   | 名称<br>DESCRIPTION | 個数<br>QTY.                         | 材料<br>MATERIAL  | 仕上<br>FINISH  | 備考<br>REMARKS                  |
| 仕様書 (SPECIFICATION)                                 |                   | 第1版 (ORIGINAL DATE)<br>27.Feb.1986 |                 | 尺度 (SCALE)  | シリーズ (SERIES)<br>IL-Y          |
| 公差 (GENERAL TOLERANCE)                              |                   | 製図<br>DR.<br>J.HAYAKAWA            |                 | 名称 (TITLE)<br>IL-Y-C3-A-10000<br>(MAGAZINE ASSEMBLY)            |                                |
| 寸法 (DIMENSION)                                      |                   | 担当<br>CHK.<br>K.IBARAKI            |                 | 日本航空電子工業株式会社<br>JAPAN AVIATION<br>ELECTRONICS<br>INDUSTRY, LTD. |                                |
| 角度 (ANGLES)   |                   | 査閲<br>APPD.<br>T.MIYASHITA         |                 |   |                                |
| . ±0.8 X° ±<br>.X ±0.5 X°X' ±<br>.XX ±0.2<br>.XXX ± |                   | 承認<br>APPD.<br>H.FUJINO            |                 |   |                                |
|   |                   |                                    |                 | 質量 (MASS)   | 図面番号 (DRAWING NO.)<br>SJ020727 |

DOF-0-212F(05.08)



SIZE A3  
版数 (REV.)  
5