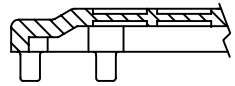
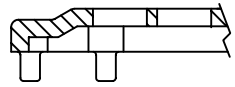


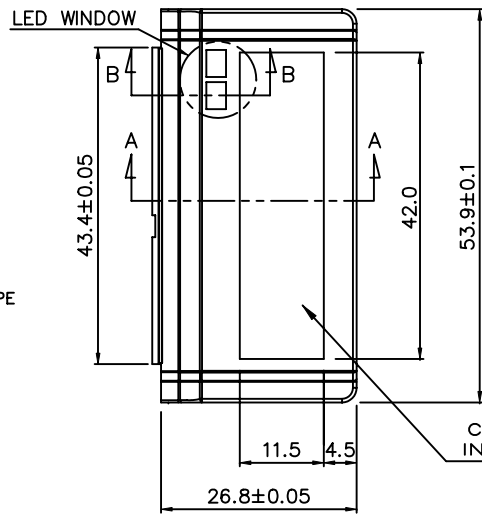
PRODUCT NUMBER	COLOR	PACKING METHOD	LED WINDOW OPTION	P/N REMARK
56404-001-X / 56404-001LF-X	OPAQUE BLACK	PACKING WITH BUBBLE BAG	NONE	"X" can be None or Customized
56404-001T-X / 56404-001TLF-X	OPAQUE BLACK	PACKING WITH TRAY	NONE	"X" can be None or Customized
56404-002-X / 56404-002LF-X	TRANSLUCENT GRAY	PACKING WITH BUBBLE BAG	NONE	"X" can be None or Customized
56404-002T-X / 56404-002TLF-X	TRANSLUCENT GRAY	PACKING WITH TRAY	NONE	"X" can be None or Customized
56404-003-X / 56404-003LF-X	OPAQUE BLACK	PACKING WITH BUBBLE BAG	WITH & THROUGH TYPE	"X" can be None or Customized
56404-003T-X / 56404-003TLF-X	OPAQUE BLACK	PACKING WITH TRAY	WITH & THROUGH TYPE	"X" can be None or Customized
56404-004-X / 56404-004LF-X	TRANSLUCENT GRAY	PACKING WITH BUBBLE BAG	WITH & THROUGH TYPE	"X" can be None or Customized
56404-004T-X / 56404-004TLF-X	TRANSLUCENT GRAY	PACKING WITH TRAY	WITH & THROUGH TYPE	"X" can be None or Customized
56404-005-X / 56404-005LF-X	OPAQUE BLACK	PACKING WITH BUBBLE BAG	WITH & CONCAVE TYPE	"X" can be None or Customized
56404-005T-X / 56404-005TLF-X	OPAQUE BLACK	PACKING WITH TRAY	WITH & CONCAVE TYPE	"X" can be None or Customized
56404-006-X / 56404-006LF-X	TRANSLUCENT GRAY	PACKING WITH BUBBLE BAG	WITH & CONCAVE TYPE	"X" can be None or Customized
56404-006T-X / 56404-006TLF-X	TRANSLUCENT GRAY	PACKING WITH TRAY	WITH & CONCAVE TYPE	"X" can be None or Customized
56404-007T-X / 56404-007TLF-X	TRANSLUCENT BLACK	PACKING WITH TRAY	NONE	"X" can be None or Customized



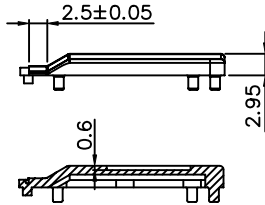
LED WINDOWS NOT THROUGH TYPE
SEC. B-B



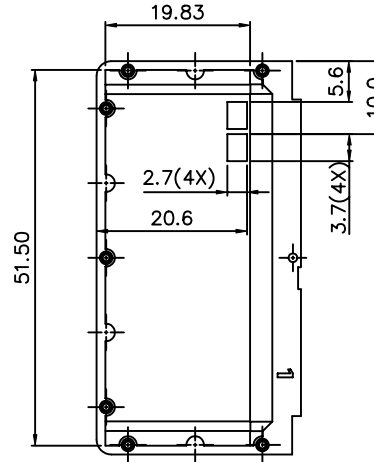
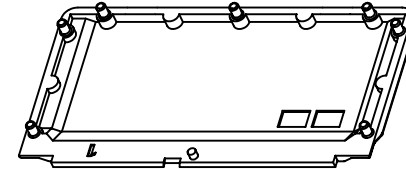
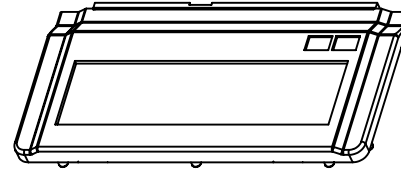
LED WINDOWS THROUGH TYPE
SEC. B-B



CUSTOMER LOGO
INSERTED HERE



SEC. A-A



- NOTES:
 1.MATERIAL: POLYCARBONATE G.E. LEXAN 940.
 2.REFER TO TA-667 FOR OVER ASSEMBLY VIEW.
 3.LED WINDOWS ARE OPTIONAL.

mat'l. code				tolerances unless otherwise specified			CUSTOMER COPY		FCI	
ltr	ecn no	dr	date	linear	.X ±.30		projection	title TOP COVER		
A	T10334	W L	11/23/01		.XX ±.20					
B	T03-0245	W L	06/23/03	angles	.XXX ±.10		MM	product family size 56404		
C	T03-0282	W L	07/09/03		0° ±2°					
D	T03-0338	W L	08/14/03	dr	WENDY CHEN	06/09/01	scale N/A	A4		code
E	DG07-0223	D T	05/31/07	enr	YUWEN CHU	06/09/01				sheet
				chr	YUWEN CHU	06/09/01				1 of 1
				appd	JENN TSAO	06/09/01				
sheet index	revision sheet	E	1							

Tous droits strictement réservés. Reproduction ou communication a des tiers interdite sous quelque forme que ce soit sans autorisation écrite du propriétaire. Propriété de c FCI. Droits de reproduction FCI.



All rights strictly reserved. Reproduction or issue to third parties in any form whatever is not permitted without written authority from the proprietor. Property of FCI. Copyright FCI.

X-ON Electronics

Largest Supplier of Electrical and Electronic Components

Click to view similar products for [Memory Card Connectors](#) category:

Click to view products by [FCT Electronics](#) manufacturer:

Other Similar products are found below :

[M10-597810-355](#) [M21-033321-005](#) [6426-201-21343](#) [69.920.0553.0](#) [MCR60A-98D-2.54DSA\(70\)](#) [FCN-568P068-G/07-4V](#) [809180410000000](#)
[95622-003LF](#) [AD2-262F-38900-232](#) [DM3AT-SF-PEJM5\(41\)](#) [EN2997S72039F6](#) [N7E50-7516PG-20-WF](#) [IC11S-BUR-PNEJL\(71\)](#) [NX30TA-](#)
[15PAA\(50\)](#) [21920-5](#) [2041353-2](#) [FUA006-3220-0](#) [308-DS1P0811-192](#) [33CFAE-DN](#) [MI21A-50PD-SF-EJR\(91\)](#) [502431-1011](#) [5175651-2](#) [10-](#)
[247926-166](#) [10-629549-258N](#) [11327-001](#) [11327-002](#) [EN2997S02039B8](#) [EN2997S61212BN](#) [EN2997S72039B6](#) [EN2997SE02039B8](#)
[EN2997SE61212BN](#) [EN2997SE72039B6](#) [603020000](#) [617230001](#) [71-252718-32P](#) [NX1-32T-KT3K\(05\)](#) [95622-003LF](#) [91-570124-15P](#)
[192900-0488](#) [N7E50-U516RB-50-SIN0005](#) [DM1AA-SF-PEJ](#) [95079-00CALF](#) [84648-056HLF](#) [68-580163-21S](#) [33DVIR-29S12R](#)
[SF58S006VBBR2000](#) [93-570123-08P](#) [GMC020080HR](#) [125A-78C00](#) [1010040575#](#)