

MASI68 I/O Modul 8 digital inputs

Compact module
DI8 - 0.2 A (C) 8×M8 (AB)

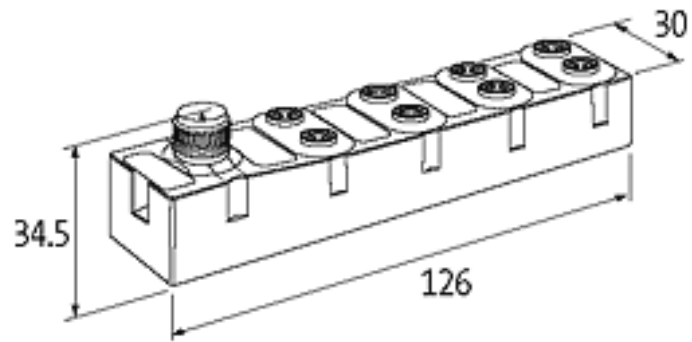
Image

Vicarious picture

Technical Data	
Bus voltage (AS-Interface)	26.5...31.6 V DC
ASI-Power 24	yes
Total current	max. 250 mA
Addressing	via master or M12 connection and programming device, presetting 2 × address 0
Address range	2 × 1...62 (2 × 1...31 A or B)
Profile (IO/ID/ID2 code)	2 × S-0.A.0
Input	
Type	for 3-wire sensors or mechanical switches, p-switching (EN 61131-2)
Sensor supply US	max. 200 mA from AS-Interface (short-circuit and overload protected)
Diagnostic	
Communication status	via LED
Diagnostic via LED	per module
Monitoring - no voltage	yes
General data	
Protection	IP68
Temperature range	-20...+60 °C (storage temperature -20...+70 °C)
Mounting method	screw fixing
Commercial data	
Net weight	130
Weight unit	Gram
Basic unit	pc.
Customs tariff number	85176200
Unit (piece)	1
Minimum order quantity (piece)	1
Comments	
For connection cables please see chapter "Connection Technology"	
All housings are fully potted	

All data on this data sheet was compiled carefully.
Liability regarding correctness, completeness, and actuality is limited to gross negligence. Created: 04/14

Dimension drawing



X-ON Electronics

Largest Supplier of Electrical and Electronic Components

Click to view similar products for [Sensor Cables / Actuator Cables](#) category:

Click to view products by [Murr Elektronik](#) manufacturer:

Other Similar products are found below :

[1300070444](#) [43-10984](#) [M83513/19-F01CP](#) [704000D02F120](#) [MDM15SH001K](#) [MDM25PH003BF222](#) [802027107404-1](#) [885030A09M010](#)
[885030A09M020](#) [1200650174](#) [1200651332](#) [1200651713](#) [1200660171](#) [1200660208](#) [1200660343](#) [1200660804](#) [1200660845](#) [1200660926](#)
[1200660977](#) [1200661173](#) [1200661354](#) [120066-1712](#) [1200720053](#) [1200720099](#) [1200720153](#) [1200720172](#) [1200720217](#) [1200720226](#)
[1200720251](#) [1200720285](#) [1200720296](#) [1200720404](#) [1200730148](#) [1200730378](#) [1200800231](#) [1200860112](#) [1200860121](#) [1200860125](#)
[1200860337](#) [1200860365](#) [1200860420](#) [1200870046](#) [1200870123](#) [1200870248](#) [1200980102](#) [1200660181](#) [1200660183](#) [1200660827](#)
[1200660849](#) [1200661170](#)