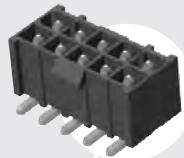


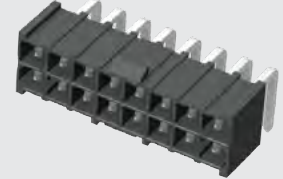


(4.19 mm) .165"

IPBT-105-H2-T-D-K



IPBT-108-H1-T-D-RA-K



IPBT-105-H1-T-D-GP

IPBT SERIES

ISOLATED TERMINAL POWER HEADER

SPECIFICATIONS

For complete specifications see www.samtec.com?IPBT

Insulator Material: Black Liquid Crystal Polymer

Contact Material: High Copper Alloy

Plating: Sn over 50 μm (1.27 μm) Ni

Operating Temp Range: -55 °C to +105 °C

Voltage Rating: 400 VAC/565 VDC

Standard Creepage: (3.66 mm) .144" (-S)

(3.63 mm) .143" (-D)

Standard Clearance: (3.05 mm) .120"

RoHS Compliant: Yes

Lead-Free Solderable: Yes

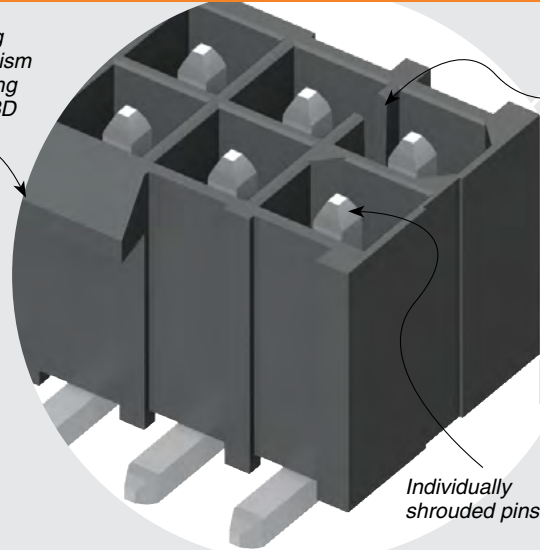
Yes

Board Mates: IPBS, IPBD

Cable Mates: PMSD, PMSS

IPBT/IPBS	
PINS POWERED	CURRENT RATING (PER CONTACT)
2	10.3 A
4	8.4 A
6	7.6 A
8	7.1 A
30	6.0 A

Latching mechanism for mating with IPBD Series



Keyed polarization

Individually shrouded pins

RUGGEDIZED BY SAMTEC

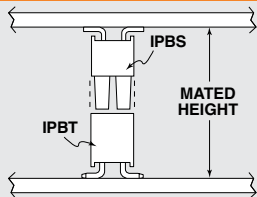
- Individually shrouded contacts
- Polarized guide post hole option

RECOGNITIONS

For complete scope of recognitions see www.samtec.com/quality



APPLICATION



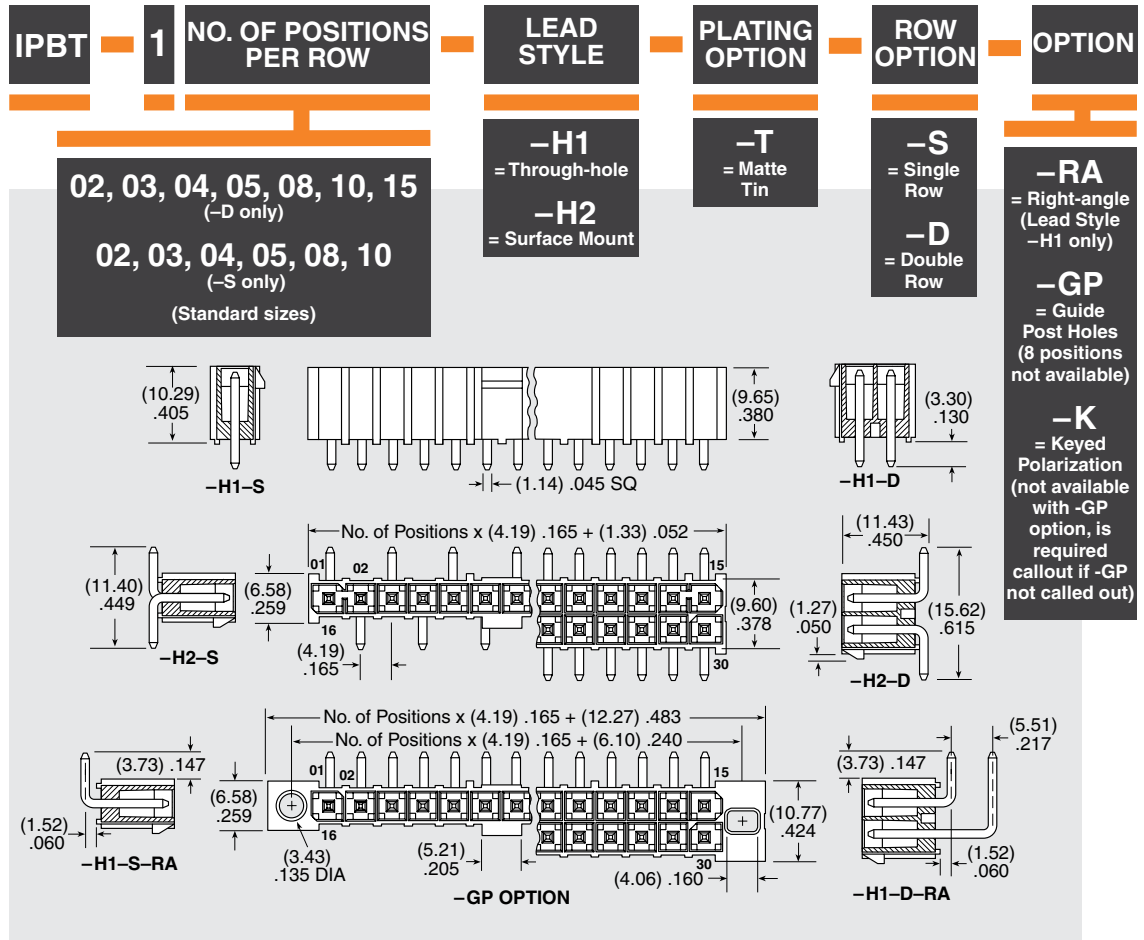
IPBT/IPBS LEAD STYLE	MATED HEIGHT*
H1-01	(15.25) .600
-H2-02	(16.84) .663

*Processing conditions will affect mated height.

ALSO AVAILABLE (MOQ Required)

- Other sizes
 - Other lead styles
 - Increased creepage and clearance with the removal of contacts
- Contact Samtec.

Note: Some lengths, styles and options are non-standard, non-returnable.



X-ON Electronics

Largest Supplier of Electrical and Electronic Components

Click to view similar products for [samtec](#) manufacturer:

Other Similar products are found below :

[TW-20-03-H-6-175-225](#) [YTW-20-07-H-6-520-110](#) [TW-10-08-H-D-616-107](#) [TW-15-08-H-D-600-080](#) [TW-30-08-H-D-616-107](#) [MTMM-108-05-H-D-220](#) [MTMM-103-05-H-D-220](#) [MTMM-120-06-H-D-180](#) [SSQ-108-01-SM-S](#) [SSQ-105-01-SM-S](#) [ESQT-112-02-F-D-375](#) [ESQT-135-03-F-D-380](#) [FTSH-111-01-L-DV](#) [QTE-060-01-L-D-A](#) [MSAS-179-ZUGG-18](#) [MTMM-103-05-H-D-300](#) [MTSW-103-07-F-S-240](#) [MTSW-125-24-H-D-285](#) [ERF8-020-05.0-S-DV-K-TR](#) [IDMD-10-T-12.00-A-G-R](#) [IPL1-112-01-L-D-K](#) [IPL1-116-01-H-D](#) [SFML-115-01-S-D](#) [SFML-125-01-S-D](#) [SFSDT-15-28-H-04.50-DR-NDS](#) [LSHM-120-02.5-L-DV-A-N-K-TR](#) [SMS-125-02-S-D](#) [ESQ-110-14-G-D](#) [ESQT-125-03-F-D-310](#) [ESQT-133-03-F-D-350](#) [SO-0515-01-01-02](#) [SQW-120-01-F-D-VS-A](#) [SSQ-111-01-G-S](#) [SSW-110-02-H-D](#) [FJH-50-D-12.00-4](#) [FLE-125-01-G-DV-A](#) [CES-150-01-T-D](#) [QFS-052-01-SL-D-RA](#) [QTE-040-04-L-D-A](#) [QTH-020-04-F-D-DP-A-K-TR](#) [QTH-060-01-F-D-A](#) [QTH-090-04-L-D-A](#) [TCSD-10-S-05.00-01-F-N](#) [TFM-110-02-S-D](#) [TFM-115-02-L-DH](#) [TFM-120-12-S-D-LC](#) [TFML-140-02-S-D](#) [TLW-107-05-G-D](#) [TMM-140-03-S-Q](#) [BDL-136-T-E](#)