



PRODUCT NUMBER 75869-YXXLF

WHEN REQUIRED, ADD SUFFIX LETTER "LF"
COMPATIBLE, SEE NOTE 5
PIN STYLE, SEE SHEET 2 & 3.
PLATING SEE SHEET 2 & 3.

NOTES:

1 - HOUSING MAT'L : GLASS FILLED THERMOPLASTIC, UL94V-0 COLOR: BLUE PART MEETS WITH GWT (725°C;960°C)

2 - PIN MATERIAL : PHOSPHOR BRONZE

3 - PACKAGING :

POLYBAGS FROM 2X02 TO 2X04 POSITIONS
TUBE FROM 2X05 TO 2X32 POSITIONS

4 - TO DETERMINE DIMENSIONS :

N = NUMBER OF POSITIONS PER ROW
EXAMPLE : 8 POS N x 2.54 = 20.32mm

5 - ROHS COMPATIBLE PRODUCT SPECIFICATIONS

a - PLATING:

"LF" MEANS THE PRODUCT IS LEAD-FREE,
2µm MINIMUM MATTE TIN OVER 1.27µm
MINIMUM NICKEL UNDERPLATE.

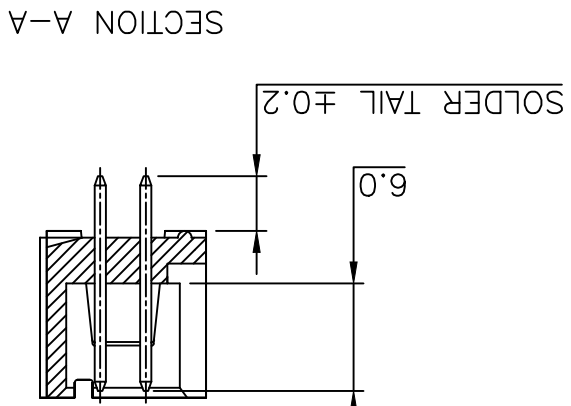
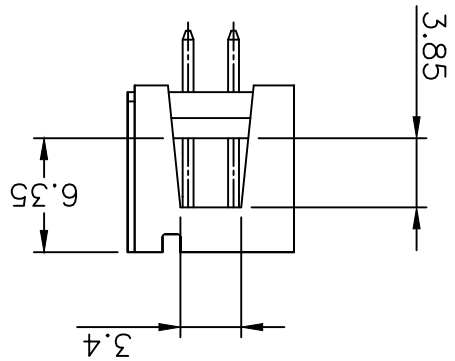
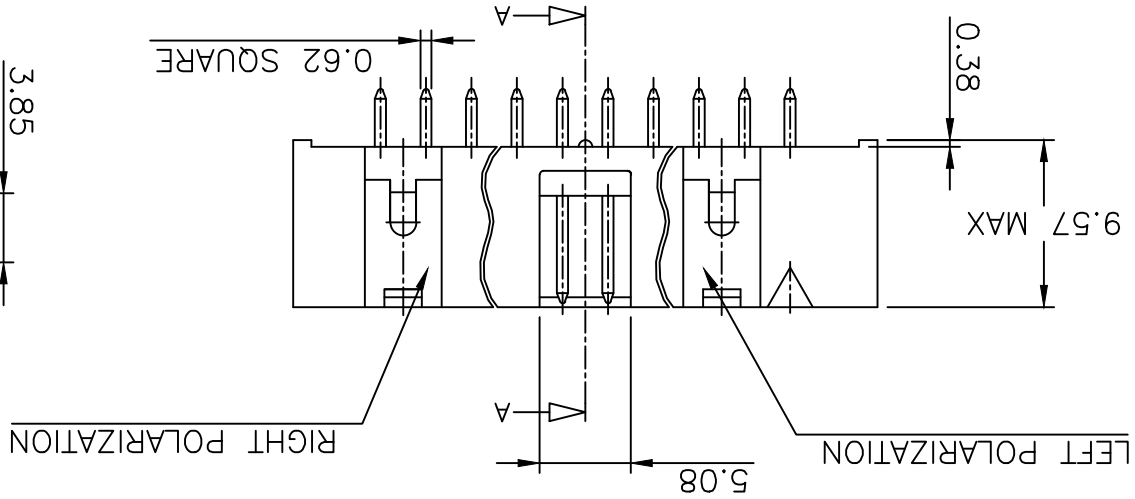
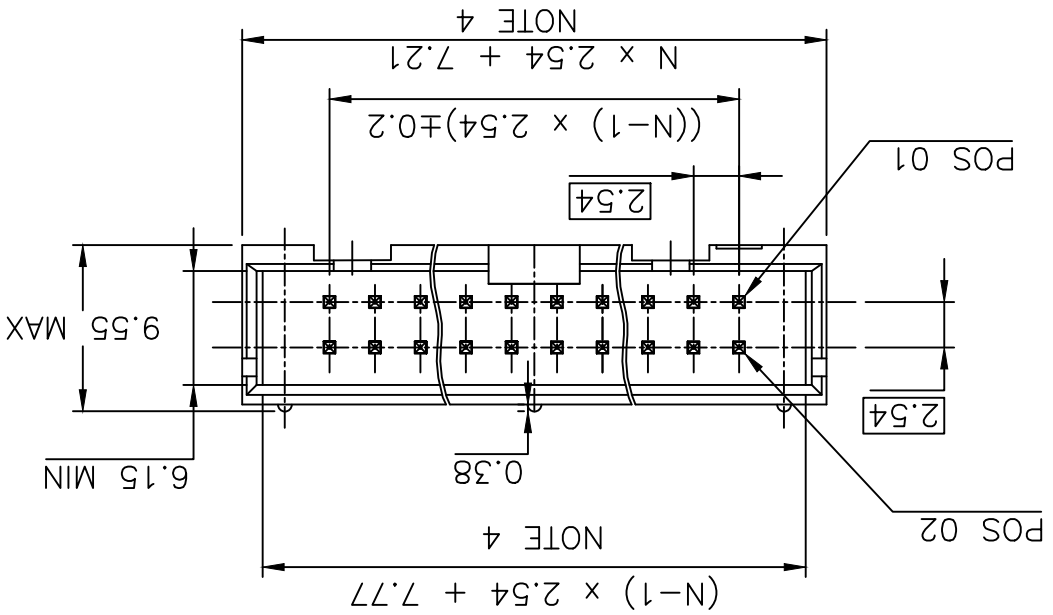
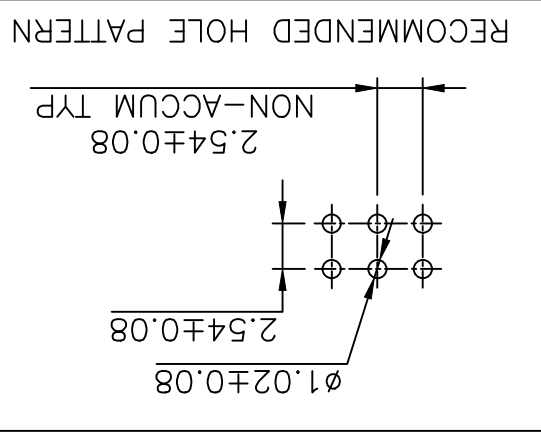
b - MANUFACTURING PROCESS COMPATIBILITY

THE HOUSING WILL WITHSTAND EXPOSURE TO
260°C ±5°C SOLDER BATH TEMPERATURE FOR
5 SECONDS IN A WAVE SOLDER APPLICATION
WITH A 1.6mm MIN THICK CIRCUIT BOARD.

c - LABELLING:

- MEETS PACKAGING SPECS AS PER GS-14-920

d - LEGAL STATEMENT: SEE GS-22-008



mat'l. code	SEE NOTES	ISO 1302	surface	tolerance	ISO 406 ISO 1101	projection	product family	QUICKIE
ltr	ec'n no	dr	date	tolerances unless otherwise specified	.X ±0.3	angles	linear	.XX ±0.13
BK	F12-0086	JCO	12.07.17					
BL	F12-0805	LMU	12.10.25					
BM	B-18120	LMU	14.07.10		.XXX ±0.05	scale 2.5:1		
BG	F08-0146	YOV	08.04.11	engn	JM.C	01.01.24		
BH	F10-0217	LMU	10.09.16	chr	JF.N	01.01.24		
BJ	F10-0258	LMU	10.12.15	appp	JM.C	01.01.24		
sheet	revision	BM	BD	H				
sheet	1	2	3	4				

type	CUSTOMER Drawing
dwg no	75869
sheet 1 of 3	A3
title	SHR.LP.HEADER STR DR TMT
product family	QUICKIE

X-ON Electronics

Largest Supplier of Electrical and Electronic Components

Click to view similar products for [Headers & Wire Housings](#) category:

Click to view products by [Amphenol](#) manufacturer:

Other Similar products are found below :

[95000-104TRLF](#) [10135584-644402LF](#) [DF62W-EP2022PCA](#) [95000-106TRLF](#) [DF62W-2022SCA](#) [DF62W-EP2022PC](#) [2203348](#) [DF62W-2022SC](#) [1084018](#) [1029039](#) [1084017](#) [802-10-012-10-002000](#) [1112640](#) [1112639](#) [891-007-9SS-BST1T](#) [000-34000](#) [0008550134](#) [0009482033](#) [0009507031](#) [57102-F02-18ULF](#) [57102-S06-03LF](#) [57202-S52-04LF](#) [PCN6-15S-2.5E](#) [0039019024](#) [58102-G61-06LF](#) [582553-1](#) [0009485154](#) [0009508121](#) [0022285053](#) [0050291907](#) [018731A](#) [LY20-4P-DT1-P1E-BR](#) [02.125.8002.8](#) [60101931](#) [60598-1 \(Cut Strip\)](#) [M1625-3R/100](#) [61062-3](#) [61082-181009](#) [CSU011177004](#) [636-1427](#) [638009-1](#) [641938-9](#) [641991-4](#) [644168-1](#) [644827-2](#) [647662-1](#) [65039-019ELF](#) [65692-001LF](#) [65781-018](#) [65781-047](#)