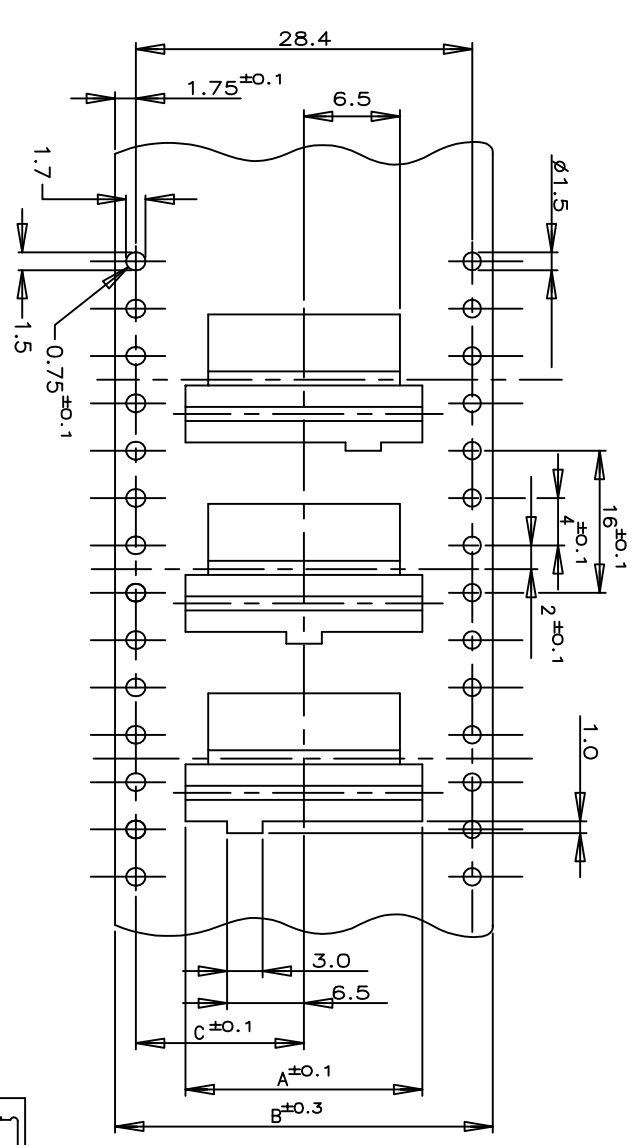
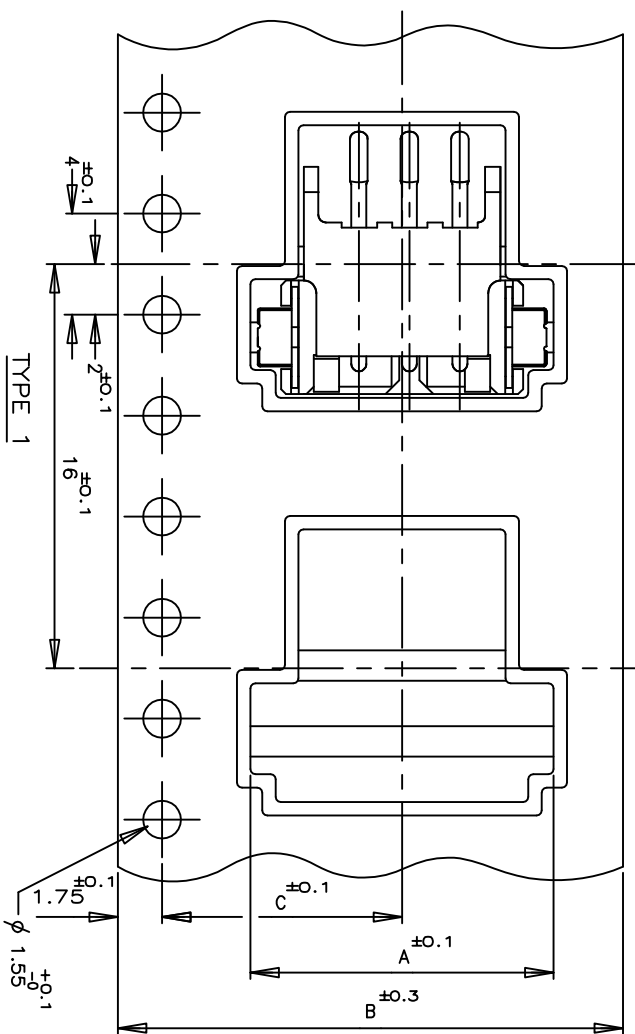
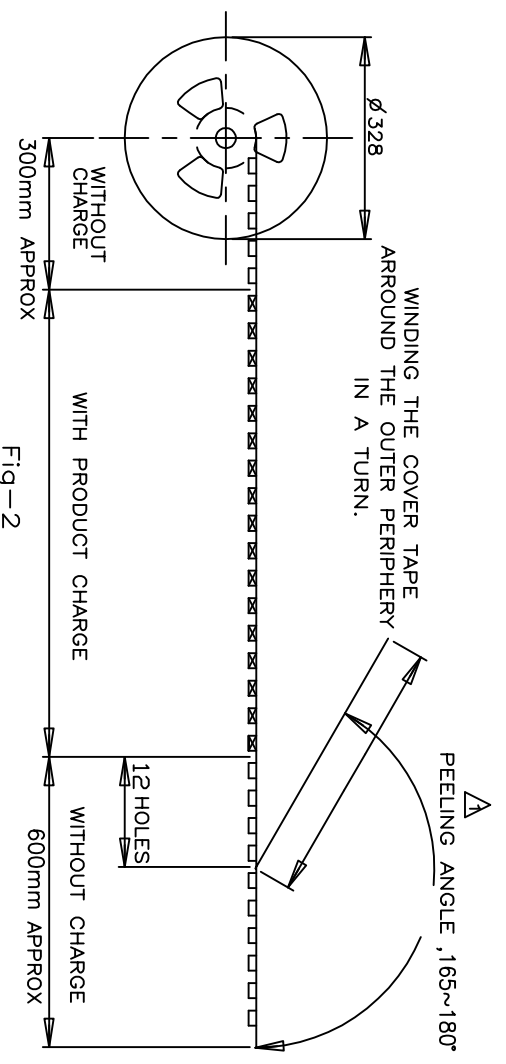
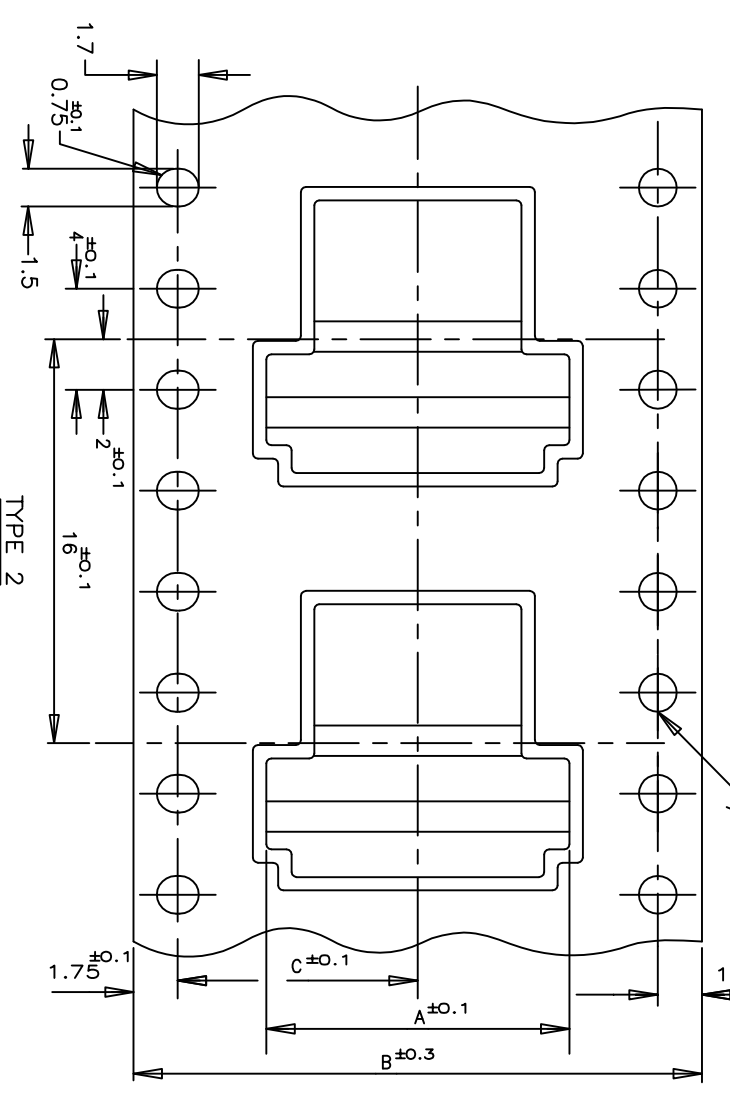
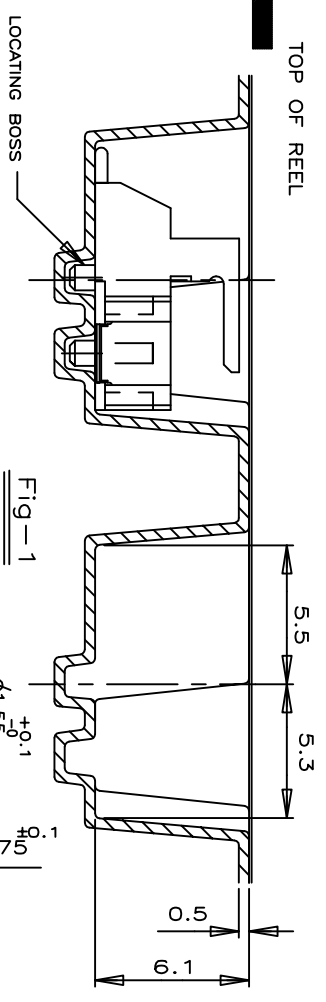
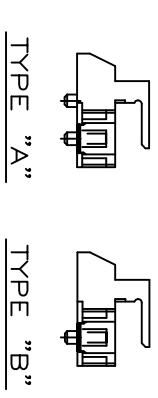


(AS SHOWN : 3P)



TYPE 3 FOR 7P ONLY
THREE KINDS OF DIFFERENT POCKETS AS 1 SET
USED FOR 7P ONLY



TYPE	WITHT	PLATE	TYPE OF BOSS	C	B	A	QTY/ REEL	Pos	TAPING P/N
TYPE 1	A	11.5	24	10	500	2	0-292173-2		
	B	11.5	24	16	5	0			
	C	11.5	24	10	500	2	0-292173-2		
	A	11.5	24	10	500	2	0-292173-2		
TYPE 2	A	20.2	44	24	500	9	0-		-9
	B	20.2	44	24	9	0			-8
	C	20.2	44	22	8	0			-7
TYPE 3	A	14.2	32	18	6	1			-6
	B	14.2	32	20	7	0			-7
	C	14.2	32	18	6	0			-6
TYPE 2	A	11.5	24	16	5	0			-5
	B	11.5	24	16	5	0			-5
	C	11.5	24	16	5	0			-5
TYPE 1	A	11.5	24	10	3	1			-3
	B	11.5	24	14	4	1			-4
	C	11.5	24	12	3	0			-3

THIS DRAWING IS A CONTROLLED DOCUMENT.

DW	JACK HOU	21SEP10
CHK	MARTIN LI	21SEP10
APVD	STEVEN YAO	21SEP10

DIMENSIONS: MM
TOLERANCES UNLESS OTHERWISE SPECIFIED:
0 PLC ±
1 PLC ±
2 PLC ±
3 PLC ±
4 PLC ±
ANGLES ±

APPLICATION SPEC
WEIGHT
CUSTOMER DRAWING

TE Connectivity
ON TAPING (EMBOSS)
TE CT CONNECTOR POST HEADER ASS'Y
(BOX-H SMT TYPE W/BOSS & TAIL)

SIZE A3
CAGE CODE 00779
DRAWING NO. 292173

RESTRICTED TO

TOLERANCE UNLESS OTHERWISE SPECIFIED:
10> ±0.2
30> ±0.25
100> ±0.3
ANGLE ±3'

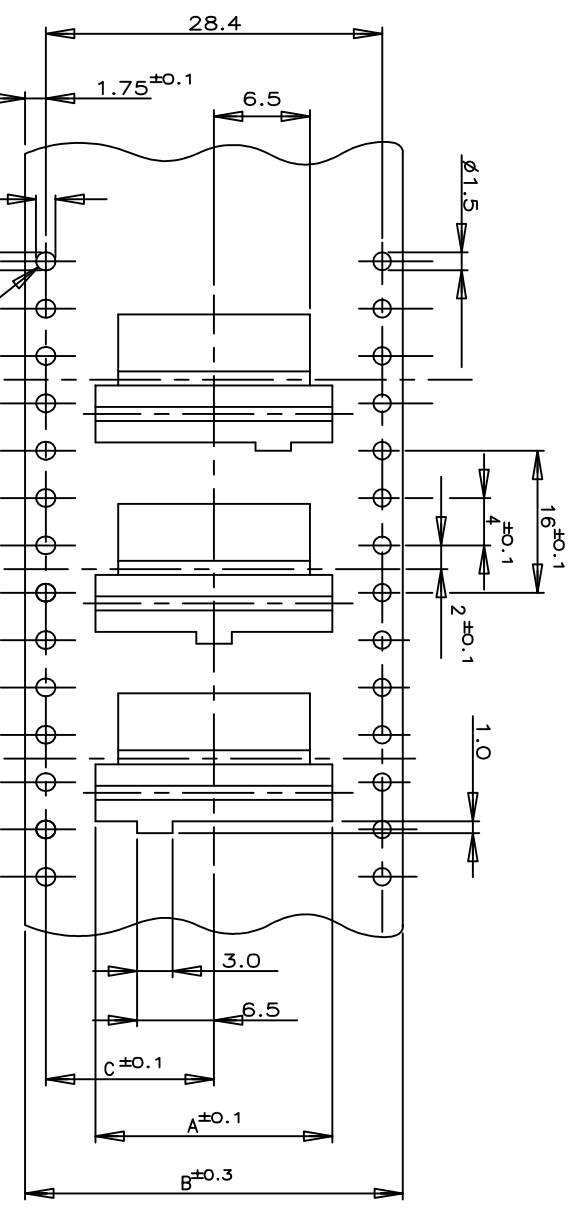
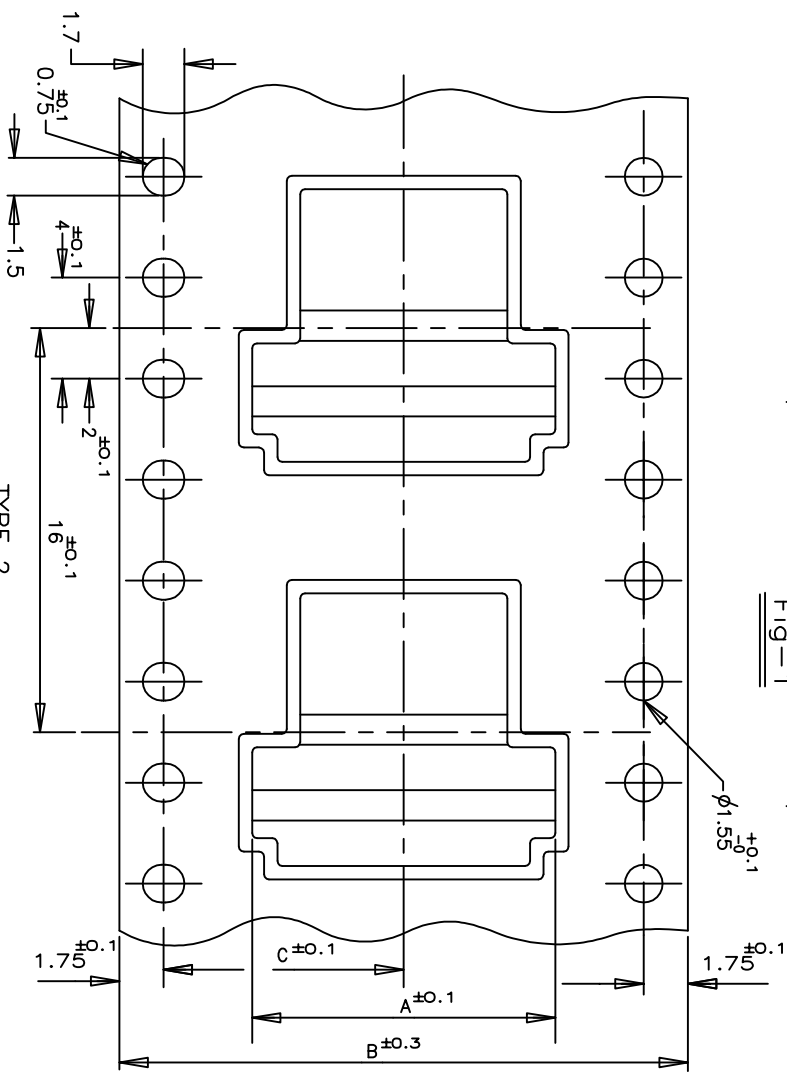
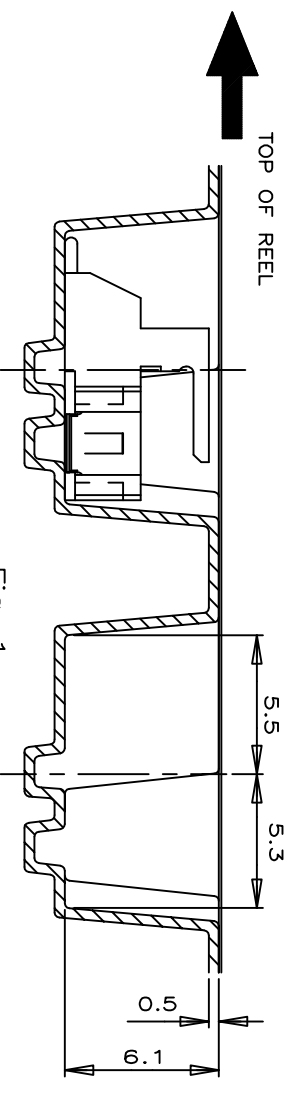
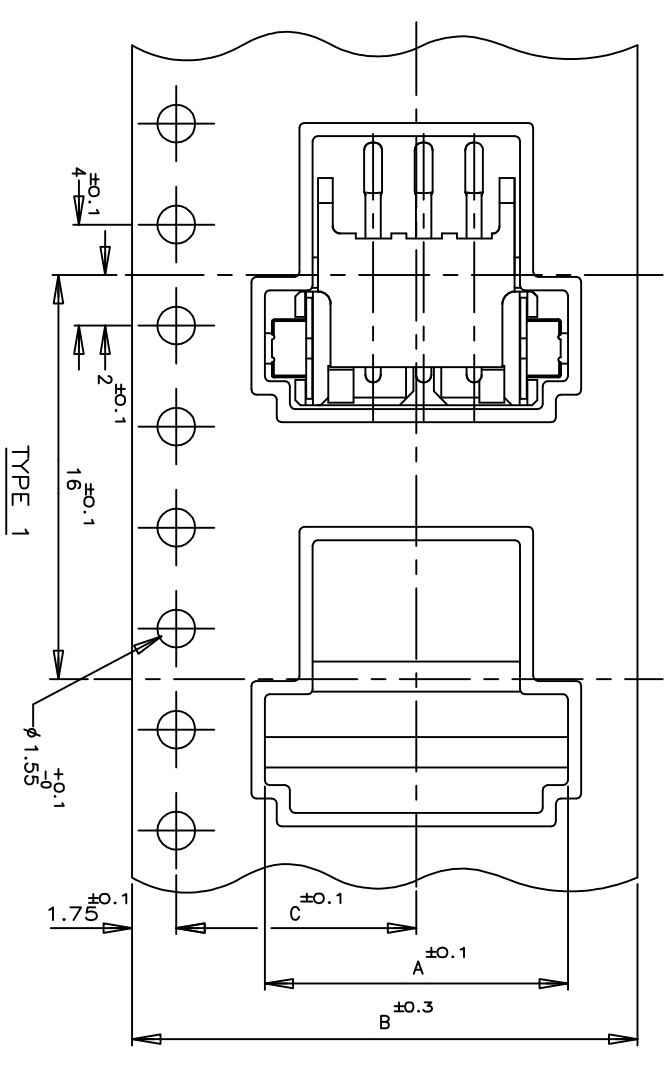
NOTES:
PEELING RESISTANCE : 0.196N-0.686N (20gf-70gf)
SPEED : 300mm/min

4

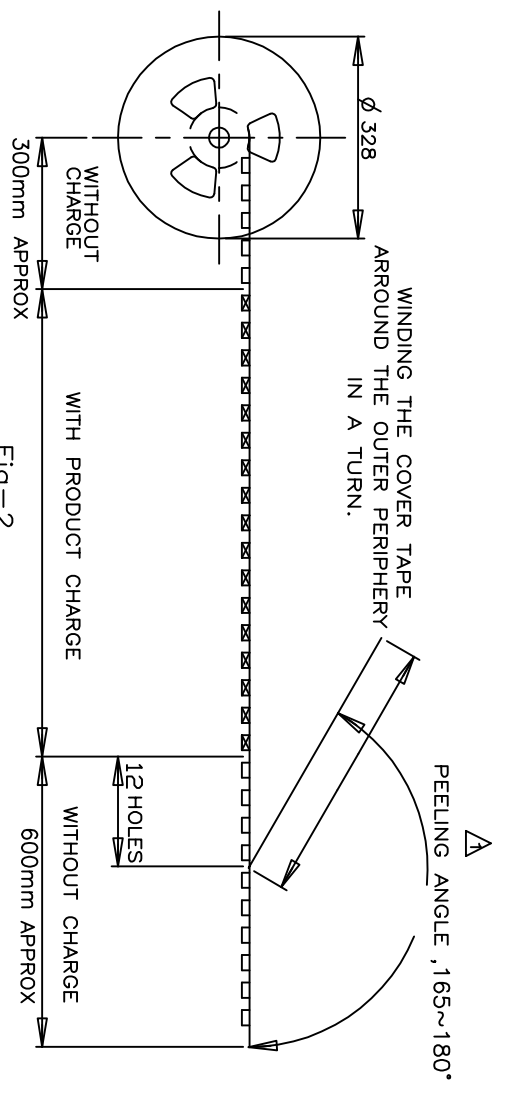
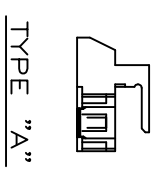
3

2

1



TYPE 3 FOR 7P ONLY
THREE KINDS OF DIFFERENT POCKETS AS 1 SET
USED FOR 7P ONLY



COLOR	WITH	TYPE	TE CONNECTIVITY		QTY/REEL	Pos	TAPING P/N	
			PLATE	TYPE OF BOSS				
BLACK	TYPE 2	A	20.2	44	24	500	9	3-292173-9
	TYPE 3	A	20.2	44	22	500	8	3-292173-8
	TYPE 2	A	14.2	32	18	500	7	3-292173-7
	TYPE 3	A	14.2	32	16	500	6	3-292173-6
	TYPE 2	A	11.5	24	14	500	5	3-292173-5
	TYPE 3	A	11.5	24	12	500	4	3-292173-4
	TYPE 2	A	11.5	24	10	500	3	3-292173-3
	TYPE 3	A	11.5	24	10	500	2	3-292173-2
	TYPE 2	A	20.2	44	24	500	9	2-292173-9
	TYPE 3	A	20.2	44	22	500	8	2-292173-8
	TYPE 2	A	14.2	32	18	500	7	2-292173-7
	TYPE 3	A	14.2	32	20	500	6	2-292173-6
NATURAL	TYPE 2	A	20.2	44	24	500	9	3-292173-9
	TYPE 3	A	20.2	44	22	500	8	3-292173-8
	TYPE 2	A	14.2	32	18	500	7	3-292173-7
	TYPE 3	A	14.2	32	16	500	6	3-292173-6
	TYPE 2	A	11.5	24	14	500	5	3-292173-5
	TYPE 3	A	11.5	24	12	500	4	3-292173-4
	TYPE 2	A	11.5	24	10	500	3	3-292173-3
	TYPE 3	A	11.5	24	10	500	2	3-292173-2
	TYPE 2	A	20.2	44	24	500	9	2-292173-9
	TYPE 3	A	20.2	44	22	500	8	2-292173-8
	TYPE 2	A	14.2	32	18	500	7	2-292173-7
	TYPE 3	A	14.2	32	20	500	6	2-292173-6

TOLERANCE UNLESS OTHERWISE SPECIFIED:
10>* :±0.2
30>* :±0.25
100>* :±0.3
ANGLE :±3°

NOTES:
△ PEELING RESISTANCE : 0.196N-0.686N (20gf-70gf)
SPEED : 300mm/min

THIS DRAWING IS A CONTROLLED DOCUMENT.

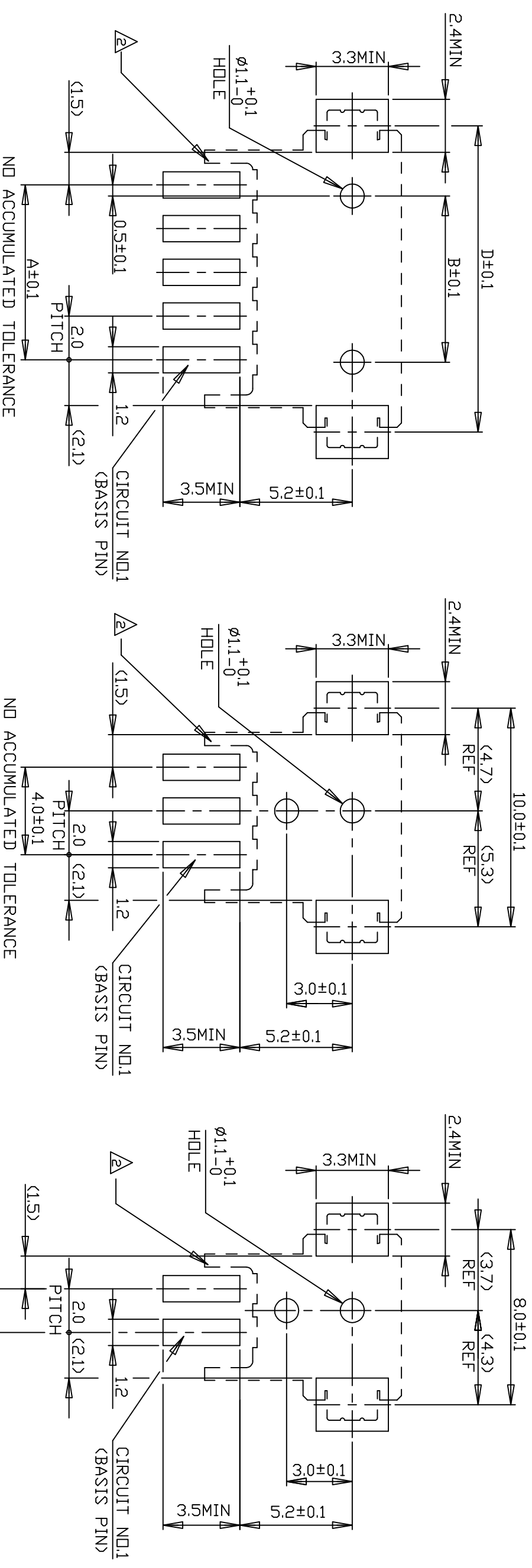
DIMENSIONS:	TOLERANCES UNLESS OTHERWISE SPECIFIED:
MM	0 PLC ±
	1 PLC ±
	2 PLC ±
	3 PLC ±
	4 PLC ±
	ANGLES ±

ON TAPING (EMBOSS)
TE CT CONNECTOR POST HEADER ASS'Y
(BOX-H SMT TYPE W/O BOSS & W/ TAIL)

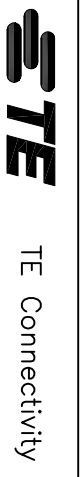
NAME	SIZE	CAGE CODE	DRAWING NO	RESTRICTED TO
A3	00779	292173		

Loc	DIST	REVISIONS	DATE	DWN	APVD
ES	00				
P	LTR	DESCRIPTION			
-	-	SEE SHEET 1	-	-	-

LAYOUT FOR 292173-X,1-292173-X



RECOMMENDED P.C. BOARD LAYOUT
(P.C.B THK:0.8mm MIN)

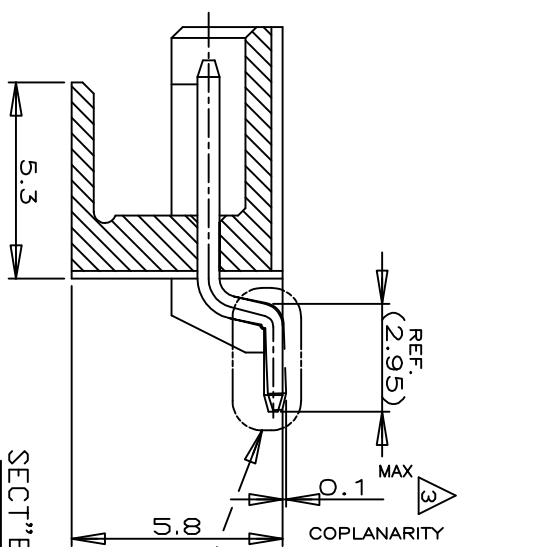
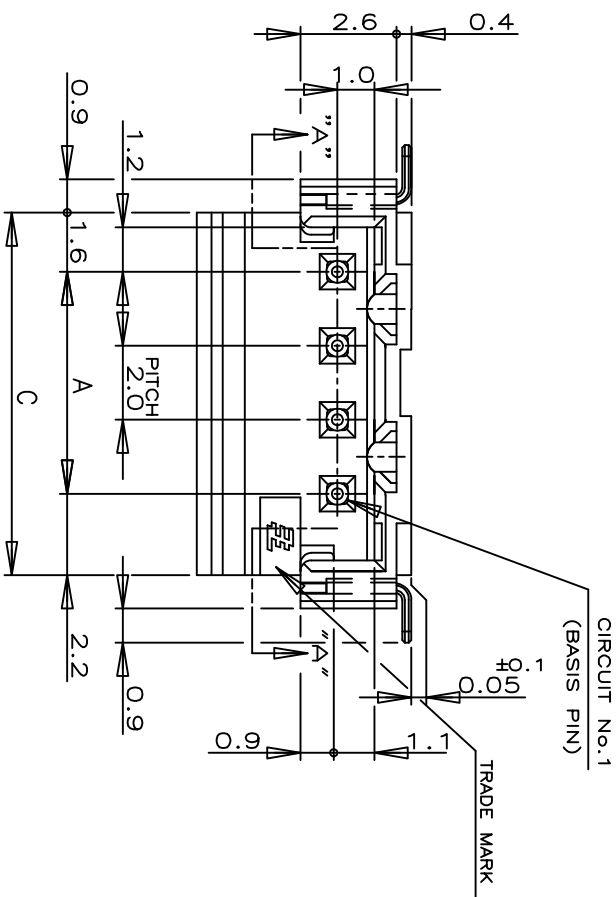


TE Connectivity

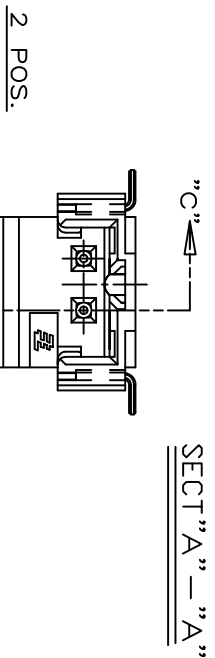
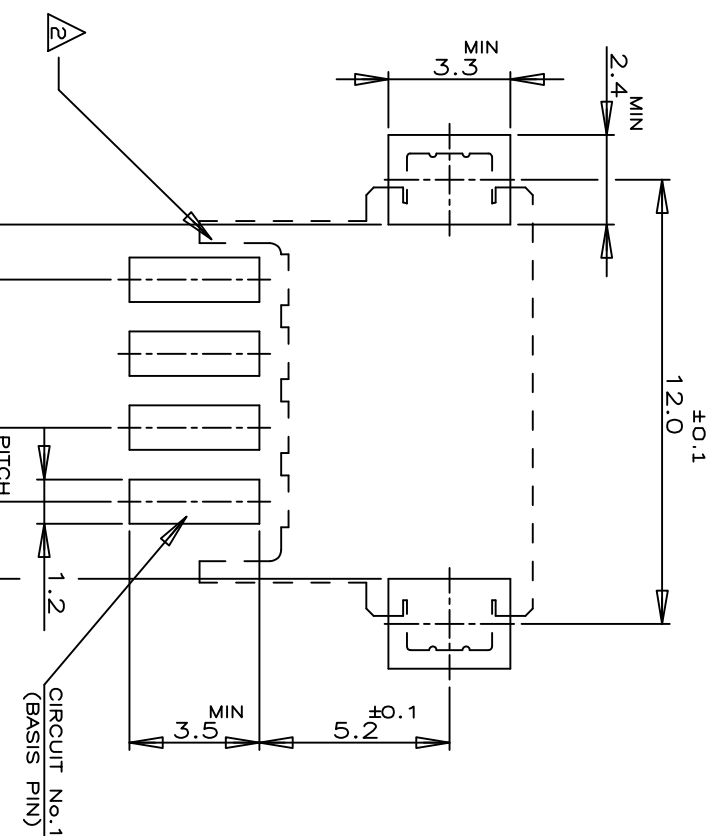
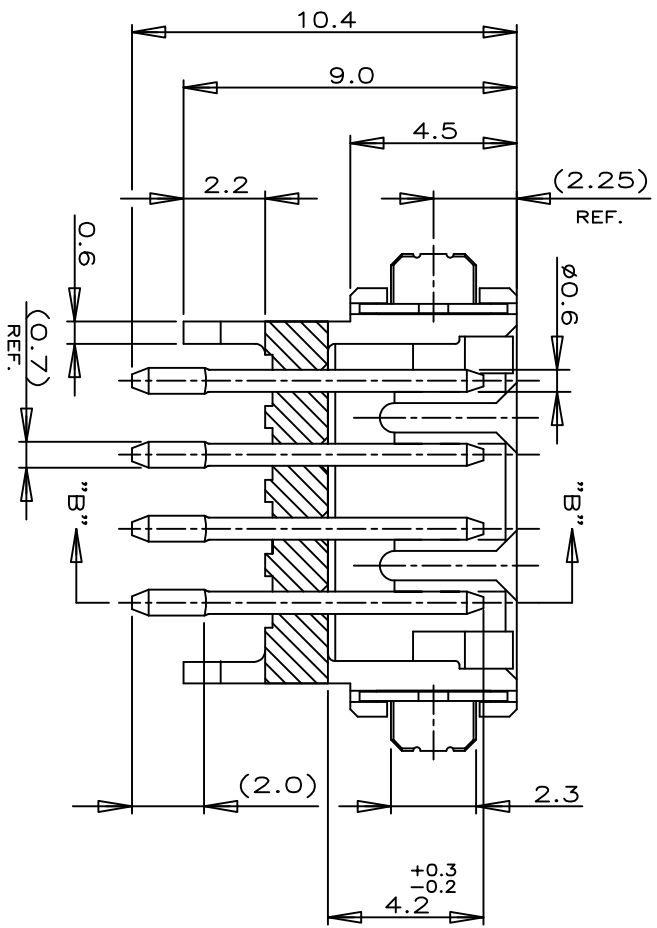
SMT TYPE POST HDR ASS'Y (H)
WITH BOSS & TAIL TYPE
(TE CT CONN. 2mm PITCH)

THIS DRAWING IS A CONTROLLED DOCUMENT.		DWN	-	NAME	SMT TYPE POST HDR ASS'Y (H) WITH BOSS & TAIL TYPE (TE CT CONN. 2mm PITCH)		
DIMENSIONS: MM		CHK	-	APVD	SIZE	CAGE CODE	DRAWING NO
TOLERANCES UNLESS OTHERWISE SPECIFIED:		PRODUCT SPEC	-	APVD	A3	00779	292173
0	PLC	±	-	APPLICATION SPEC	WEIGHT	-	-
1	PLC	±	-	CUSTOMER DRAWING	SCALE	5:1	SHEET 4 OF 6
2	PLC	±	-		REV	C3	
3	PLC	±	-				
4	PLC	±	-				
5	PLC	±	-				
6	PLC	±	-				
7	PLC	±	-				
8	PLC	±	-				
9	PLC	±	-				
10	PLC	±	-				
11	PLC	±	-				
12	PLC	±	-				
13	PLC	±	-				
14	PLC	±	-				
15	PLC	±	-				
16	PLC	±	-				
17	PLC	±	-				
18	PLC	±	-				
19	PLC	±	-				
20	PLC	±	-				
21	PLC	±	-				
22	PLC	±	-				
23	PLC	±	-				
24	PLC	±	-				
25	PLC	±	-				
26	PLC	±	-				
27	PLC	±	-				
28	PLC	±	-				
29	PLC	±	-				
30	PLC	±	-				
31	PLC	±	-				
32	PLC	±	-				
33	PLC	±	-				
34	PLC	±	-				
35	PLC	±	-				
36	PLC	±	-				
37	PLC	±	-				
38	PLC	±	-				
39	PLC	±	-				
40	PLC	±	-				
41	PLC	±	-				
42	PLC	±	-				
43	PLC	±	-				
44	PLC	±	-				
45	PLC	±	-				
46	PLC	±	-				
47	PLC	±	-				
48	PLC	±	-				
49	PLC	±	-				
50	PLC	±	-				

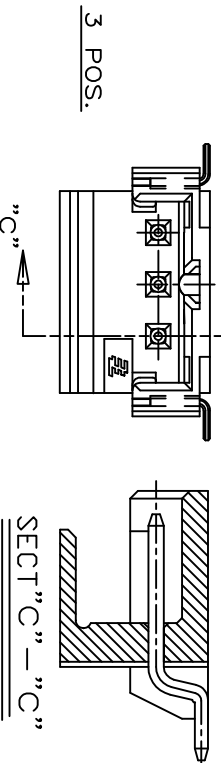
(AS SHOWN :4P)



DETAIL "D"
SCALE 10-1



SECT "A" - "A"



SECT "C" - "C"

NOTES:

1. MATERIAL : HSG-6T PA(G.F.30%)(UL94V-0)
COLOR:BLACK,NATURAL
POST:TIN BRASS
TAIL: TIN BRASS
2. OCCUPANT AREA ON PC BOARD
TO BE MEASURED WITH CONNECTOR PLACED
ON HORIZONTAL DATUM SURFACE,FLOAT OF
SOLDER TINE AND TAIL FROM DATUM
SURFACE IS 0.1mm MAX
3. COPLANARITY

16.0	19.8	22.0	9	3-292173-9	2-292173-9
14.0	17.8	20.0	8	3- -8	2- -8
12.0	15.8	18.0	7	3- -7	2- -7
10.0	13.8	16.0	6	3- -6	2- -6
8.0	11.8	14.0	5	3- -5	2- -5
6.0	9.8	11.8	4	3- -4	2- -4
4.0	7.8	10.0	3	3- -3	2- -3
2.0	5.8	8.0	2	3-292173-2	2-292173-2
A	C	D	Pos.	NATURAL	BLACK

STE TE Connectivity

SMT TYPE POST HDR ASS'Y (BOX-H)
W/O BOSS, WITH TAIL TYPE
(TE CT CONN. 2mm PITCH)

DMN	-
CHK	-
APVD	-
PRODUCT SPEC	108-60016
APPLICATION SPEC	-
WEIGHT	-
CUSTOMER DRAWING	-

NAME	SMT TYPE POST HDR ASS'Y (BOX-H) W/O BOSS, WITH TAIL TYPE (TE CT CONN. 2mm PITCH)		
SIZE	A3	CAGE CODE	00779
DRAWING NO	292173		RESTRICTED TO
SCALE	5:1	SHEET	5 of 6
REV	C3		

TOLERANCES UNLESS OTHERWISE SPECIFIED:	
10>* ±0.2	1 ±0.2
30)* ±0.10	1 ±0.25
100)* ±0.30	1 ±0.3
ANGEL	1 ±3°

THIS DRAWING IS A CONTROLLED DOCUMENT.

DIMENSIONS: MM

TOLERANCES UNLESS OTHERWISE SPECIFIED:

0 PLC	±
1 PLC	±
2 PLC	±
3 PLC	±
4 PLC	±
ANGLES	±

MATERIAL SEE NOTE

FINISH SEE NOTE

A

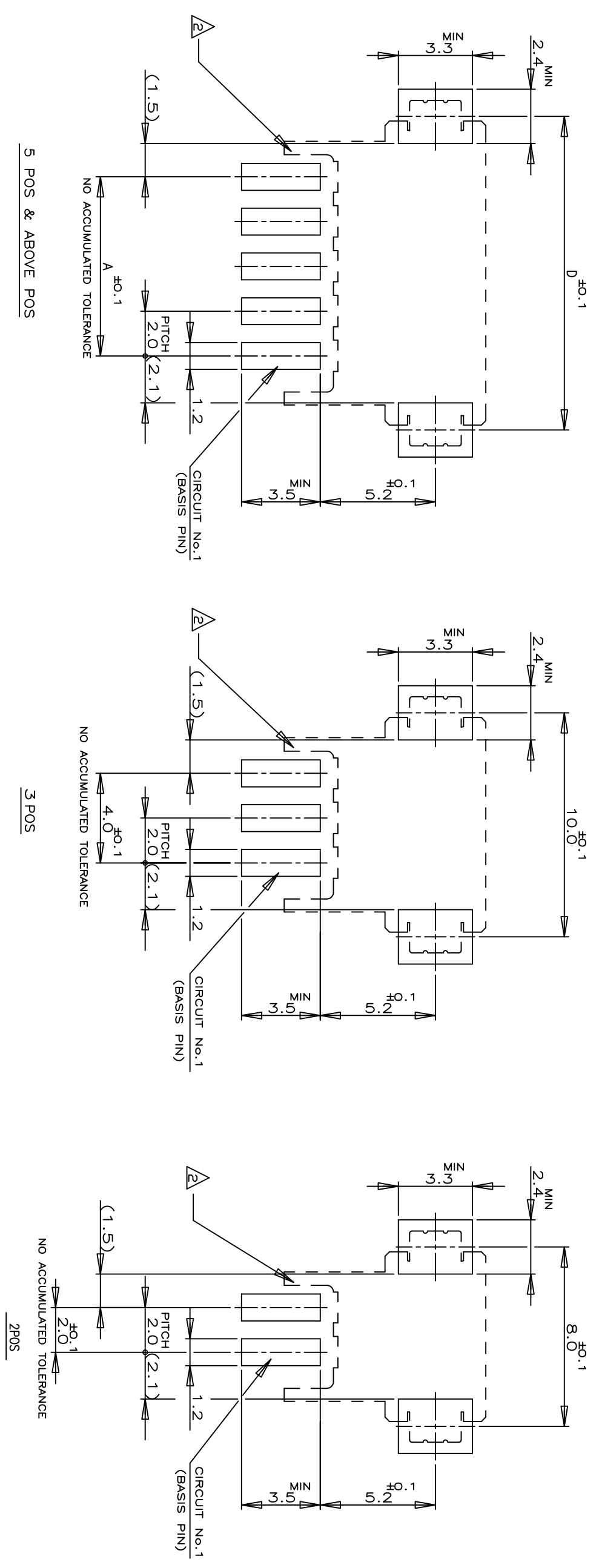
B

C

D

Loc	DIST	P	LTR	DESCRIPTION	DATE	DWN	APVD
ES	00	-	-	SEE SHEET 1	-	-	-

LAYOUT FOR 2-292173-X,3-2-292173-X



RECOMMENDED P.C.BOARD LAYOUT
(P.C.B THK:0.8mm MIN)

THIS DRAWING IS A CONTROLLED DOCUMENT.

DIMENSIONS: MM	TOLERANCES UNLESS OTHERWISE SPECIFIED:	DMN	NAME
0 PLC	±	CHK	<p>TE Connectivity</p> <p>SMT TYPE POST HDR ASS'Y (H) W/O, WITH TAIL TYPE (TE CT CONN. 2mm PITCH)</p>
1 PLC	±	APVD	
2 PLC	±	PRODUCT SPEC	
3 PLC	±	APPLICATION SPEC	
4. P.C.B ANGLES	±	MATERIAL	SIZE
FINISH	±	WEIGHT	A3
			CAGE CODE
			00779
			DRAWING NO
			292173
			SCALE
			5:1
			SHEET
			6 OF 6
			REV
			C3

CUSTOMER DRAWING

X-ON Electronics

Largest Supplier of Electrical and Electronic Components

Click to view similar products for [Headers & Wire Housings](#) category:

Click to view products by [TE Connectivity](#) manufacturer:

Other Similar products are found below :

[95000-104TRLF](#) [10135584-644402LF](#) [DF62W-EP2022PCA](#) [95000-106TRLF](#) [DF62W-2022SCA](#) [DF62W-EP2022PC](#) [2203348](#) [DF62W-2022SC](#) [1084018](#) [1029039](#) [1084017](#) [802-10-012-10-002000](#) [1112640](#) [1112639](#) [891-007-9SS-BST1T](#) [000-34000](#) [0008550134](#) [0009482033](#) [0009507031](#) [57102-F02-18ULF](#) [57102-S06-03LF](#) [57202-S52-04LF](#) [PCN6-15S-2.5E](#) [0039019024](#) [58102-G61-06LF](#) [582553-1](#) [0009485154](#) [0009508121](#) [0022285053](#) [0050291907](#) [018731A](#) [LY20-4P-DT1-P1E-BR](#) [02.125.8002.8](#) [60101931](#) [60598-1 \(Cut Strip\)](#) [M1625-3R/100](#) [61062-3](#) [61082-181009](#) [CSU011177004](#) [636-1427](#) [638009-1](#) [641938-9](#) [641991-4](#) [644168-1](#) [644827-2](#) [647662-1](#) [65039-019ELF](#) [65692-001LF](#) [65781-018](#) [65781-047](#)