

CATALOG LISTING
32NT91 SERIES CHART 1

PAGE 1 OF 1

ISSUE 7

CHECK

REVISIONS

A	C095305	TSM	9NOV99
B	CO-94361	DCS	23 NOV 99
C	207782	C S L	27 MAR 03
D	0002084	C S L	18 NOV 03
E	0002302	C S L	10 DEC 03

CHECK

SAV

CHECK

9NOV99

PTC/CAD 2D

DRAWN

REPLACES -

RELEASE NO. PR-20625

CHECK

9NOV99

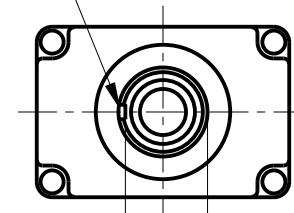
CHECK

9NOV99

TSM

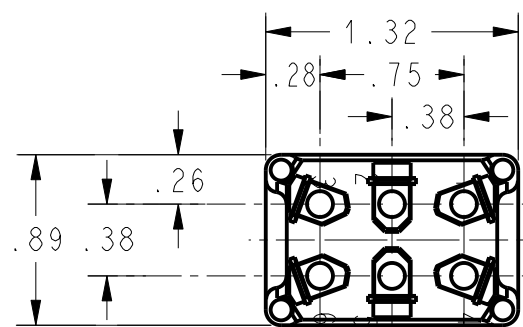
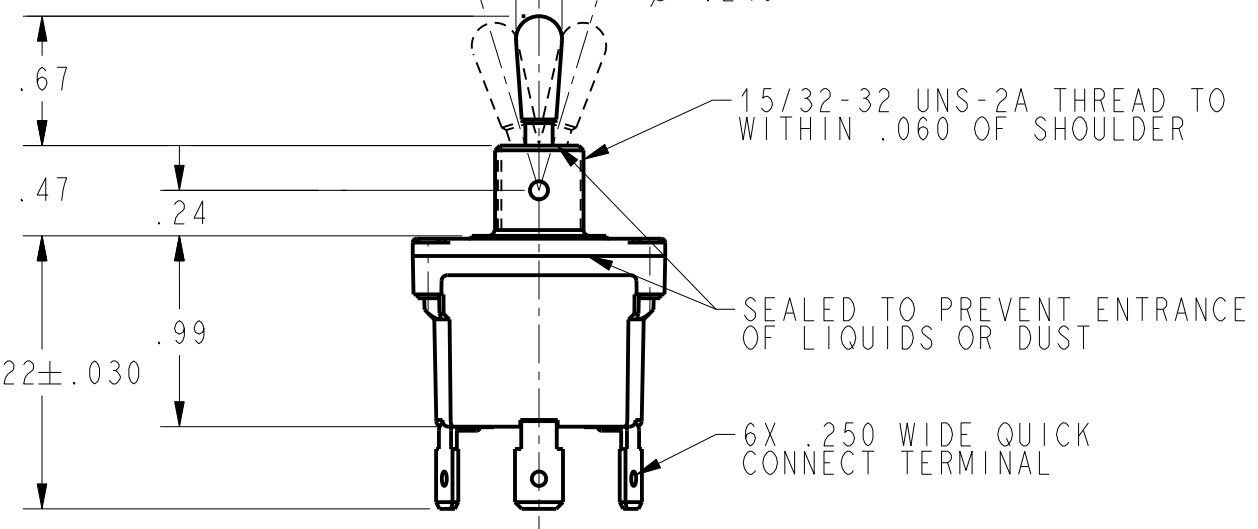
DRAWN




.076±.008 WIDE KEYWAY

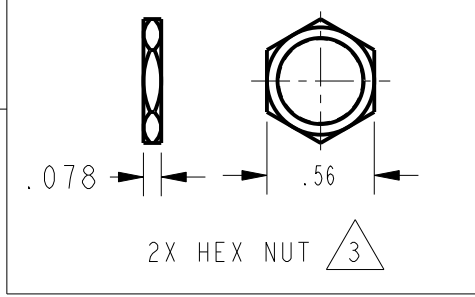
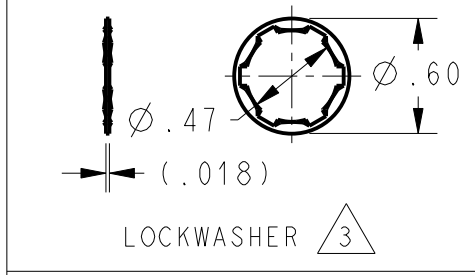
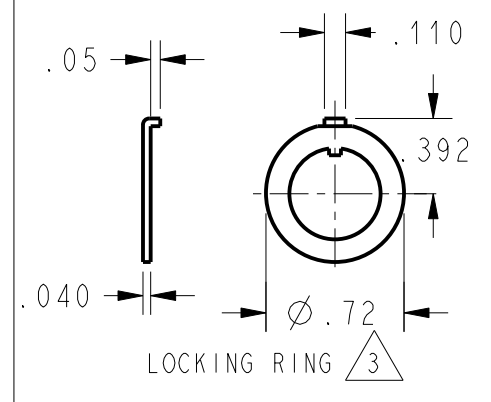


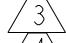
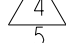
.427

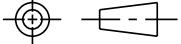
17°±4°
34°±8° TOTAL TRAVEL



CATALOG LISTING	CIRCUIT MADE WITH TOGGLE LEVER IN 			ELECTRICAL DATA
	KEYWAY SIDE (1-2, 4-5)	CENTER (1-2, 4-5)	OPPOSITE KEYWAY (2-3, 5-6)	
32NT91-1	ON	OFF	ON	L191 15A 125, 250, 277 VAC 1/2HP 125 VAC 1HP 250, 277 VAC 5A 125 VAC "L"
32NT91-2	OFF	NONE	ON	
32NT91-3	ON	NONE	ON	
32NT91-21	NONE	OFF	ON	
32NT91-31	NONE	ON	ON	
32NT91-4	MOM OFF	NONE	ON	
32NT91-5	MOM ON	OFF	ON	
32NT91-6	MOM ON	NONE	OFF	
32NT91-7	MOM ON	OFF	MOM ON	L192 10A 125, 250, 277 VAC 1/4HP 125 VAC 1/2HP 250, 277 VAC 3A 125 VAC "L"
32NT91-8	MOM ON	NONE	ON	
	NONE	ON	MOM ON	
32NT91-61	MOM ON	OFF	NONE	



- NOTES
- 1 - SWITCHES ARE CAPABLE OF WITHSTANDING A TEMPERATURE OF 160°F CONTINUOUSLY AT FULL RATED LOAD
 - 2 - MICRO SWITCH CAT. LIST. MARKED ON SIDE OF SWITCH
 -  3 - FURNISHED UNASSEMBLED
 -  4 - APPLIES ONLY TO "ON" AND "MOMENTARY ON" POSITIONS
 - 5 - TO ORDER WITHOUT HARDWARE ADD (-NH) SUFFIX TO CATALOG LISTING

THIRD ANGLE PROJECTION	
	
SCALE	FULL
DO NOT SCALE PRINT	
UNLESS OTHERWISE SPECIFIED TOLERANCES ARE	
ONE PLACE	(.0) ±.030
TWO PLACE	(.00) ±.015
THREE PLACE	(.000) ±.005
ANGLES	±
WEIGHT	

X-ON Electronics

Largest Supplier of Electrical and Electronic Components

Click to view similar products for [Toggle Switches](#) category:

Click to view products by [Honeywell](#) manufacturer:

Other Similar products are found below :

[A19HV](#) [8A1-C-222](#) [60012L](#) [6006L](#) [6663](#) [7101MD9V30GE](#) [7101SPDV30BE](#) [7103SDV30BE](#) [7105D](#) [7108P3YAV2BE](#) [71YY50282](#)
[7201MD9AVBE](#) [7301K38](#) [7306K36](#) [7310K36](#) [7314K36](#) [7506K4](#) [7592K6](#) [7691K14](#) [7700K1](#) [8396K108](#) [8824K14](#) [8828K13](#) [G2VX](#) [G3VX](#)
[PS83-121G](#) [A101MD9AB04](#) [A101SD9AB04](#) [A101SDCQ04](#) [A103SD9AQ04](#) [A107TZB04](#) [A123P32YZQ](#) [A123S1YZG](#) [A127S1YCQ](#) [1-](#)
[1825192-0](#) [A131S1YZQ](#) [A201SCWZB04](#) [A207SYCB04](#) [A208J61ZQ0004](#) [A221K12KAG](#) [A221S1YZQ](#) [A221T1TCQ](#) [A232K12KZQ](#)
[A232M1YCQ](#) [A323S1CWZQ](#) [A423S1CWZG-M8](#) [A423S1YZQ](#) [12149A-3V](#) [12156AX408](#) [12147AGKX679](#)