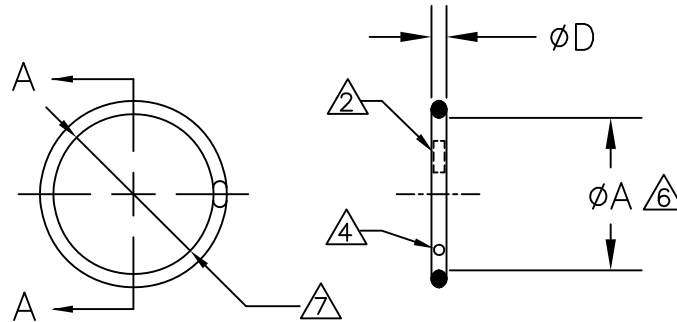


TE CONNECTIVITY (TE) RESERVES THE RIGHT TO CHANGE THIS DRAWING AT ANYTIME. USERS SHOULD EVALUATE THE SUITABILITY OF THE PRODUCT FOR THEIR APPLICATION.

| REVISIONS | | | |
|-----------|---------------------------|------------|----------|
| LTR | DESCRIPTION | DATE | APPROVED |
| D | REVISED PER ECO-12-021589 | 12/11/2012 | G.WELLS |
| E | REVISED PER ECO-15-018009 | 12/11/2015 | I.MYONG |

SCOPE:

THIS SPECIFICATION PROVIDES A DESCRIPTION OF HEAT-TO-RECOVER METAL RINGS FOR TERMINATING BRAIDED SHIELD ONTO ADAPTORS DESIGNED FOR THAT PURPOSE.



PART DESCRIPTION:


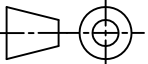
| | | | | |
|----|----|---|---|---|
| TR | XX | X | I | |
| | | | | INSULATING LINING |
| | | | | BRAID DESIGNATOR |
| | | | | A-36 AWG BRAID, 1 LAYER |
| | | | | B-36 AWG BRAID, 2 LAYERS |
| | | | | B-30 AWG BRAID, 1 LAYER |
| | | | | C-32 AWG BRAID, 2 LAYERS |
| | | | | REFER TO MSG-101 FOR RING AND BRAID SELECTION |
| | | | | RING SIZE (MATCHES TXR ADAPTER ENTRY SIZE) |
| | | | | PRODUCT DESIGNATOR |

NOTES: UNLESS OTHERWISE SPECIFIED.

1. MATERIAL: NICKEL/TITANIUM HEAT-TO-RECOVER SHAP MEMORY ALLOY.
2. THE OUTSIDE SURFACE OF THE RING IS MARKED WITH TWO STRIPES OF THERMOCHROMIC PAINT WHICH CHANGE COLOR WHEN THE APPROPRIATE INSTALLATION TEMPERATURE IS REACHED.
3. "AI" RINGS ARE IDENTIFIED BY THE ABSENCE OF A RED OR BLUE DOT. REFER TO NOTE 4 BELOW.
4. "BI" RINGS ARE MARKED WITH A RED DOT. "CI" RINGS ARE MARKED WITH A BLUE DOT.
5. REFER TO MIP-101 FOR INSTALLATION PROCEDURE AND PERFORMANCE REQUIREMENT.
6. AVERAGE OF MEASUREMENTS TAKEN AT 3 POINTS, EQUALLY SPACED ON WELD AND OFF WELD.
7. SHAPE OF THE RING TO BE MOSTLY CIRCULAR. CERTAIN SIZES (LARGER) MAY HAVE MULTIPLE SIDES.

© 2015 TE CONNECTIVITY LTD. FAMILY OF COMPANIES. ALL RIGHTS RESERVED
 TE CONNECTIVITY AND TE CONNECTIVITY (LOGO) ARE TRADEMARKS.
 OTHER LOGOS PRODUCT AND/OR COMPANY NAMES MAY BE TRADEMARKS OF THEIR RESPECTIVE OWNERS.

Raychem Adapters
 CUSTOMER DRAWING

| | | | | | | |
|---|------------------------|---|--|---------------------|----------------|-----------|
| UNLESS OTHERWISE SPECIFIED DIMENSIONS ARE NOT APPLIED. | DRAWN E. GOLDY | DATE 05-17-93 |  TE Connectivity | | | |
| | REDRAWN T. NGUYEN | DATE 05-17-93 | | | | |
| DECIMAL TOLERANCES .XXX ± -- [mm] .XX ± -- [mm] .X ± -- [mm] | APPROVED I. MYONG | DATE 12-08-15 | TITLE TINEL-LOCK RING | | | |
| | CAD FILE: TR.dwg | | | | | |
| ANGLE TOLERANCE .X ± -- | THIRD ANGLE PROJECTION |  | SIZE A | CAGE CODE: 06090 | DWG. NO. TR | REV: E |
| | | | SCALE: NONE | SHEET 1 OF 2 | | |

| PART DESCRIPTION | ϕA | | ϕD |
|------------------|-----------------|--------------------|----------------------|
| | MIN AS SUPPLIED | MAX FREE RECOVERED | |
| TR04AI | .397 [10.08] | .379 [9.63] | .073±.005 [1.85±.13] |
| TR04BI | .416 [10.57] | .398 [10.11] | .073±.005 [1.85±.13] |
| TR05AI | .460 [11.68] | .440 [11.18] | .073±.005 [1.85±.13] |
| TR05BI | .479 [12.17] | .458 [11.63] | .073±.005 [1.85±.13] |
| TR06AI | .523 [13.28] | .499 [12.68] | .073±.005 [1.85±.13] |
| TR06BI | .548 [13.92] | .523 [13.28] | .073±.005 [1.85±.13] |
| TR07AI | .586 [14.88] | .559 [14.20] | .073±.005 [1.85±.13] |
| TR07BI | .606 [15.39] | .578 [14.68] | .073±.005 [1.85±.13] |
| TR08AI | .650 [16.51] | .620 [15.75] | .073±.005 [1.85±.13] |
| TR08BI | .670 [17.02] | .639 [16.23] | .073±.005 [1.85±.13] |
| TR10AI | .782 [19.86] | .744 [18.90] | .073±.005 [1.85±.13] |
| TR10BI | .802 [20.37] | .763 [19.38] | .073±.005 [1.85±.13] |
| TR10CI | .830 [21.08] | .791 [20.09] | .073±.005 [1.85±.13] |
| TR12AI | .912 [23.17] | .867 [22.02] | .073±.005 [1.85±.13] |
| TR12BI | .931 [23.65] | .886 [22.50] | .073±.005 [1.85±.13] |
| TR12CI | .960 [24.38] | .912 [23.17] | .073±.005 [1.85±.13] |
| TR14AI | 1.040 [26.42] | .988 [25.10] | .073±.005 [1.85±.13] |
| TR14BI | 1.060 [26.92] | 1.007 [25.58] | .073±.005 [1.85±.13] |
| TR14CI | 1.089 [27.66] | 1.033 [26.24] | .073±.005 [1.85±.13] |
| TR16AI | 1.171 [29.74] | 1.111 [28.22] | .073±.005 [1.85±.13] |
| TR16BI | 1.191 [30.25] | 1.129 [28.68] | .073±.005 [1.85±.13] |
| TR16CI | 1.216 [30.89] | 1.154 [29.31] | .073±.005 [1.85±.13] |
| TR18AI | 1.301 [33.05] | 1.234 [31.34] | .073±.005 [1.85±.13] |
| TR18BI | 1.320 [33.53] | 1.252 [31.80] | .073±.005 [1.85±.13] |
| TR20AI | 1.430 [36.32] | 1.357 [34.47] | .073±.005 [1.85±.13] |
| TR20BI | 1.450 [36.83] | 1.376 [34.95] | .073±.005 [1.85±.13] |
| TR22AI | 1.543 [39.19] | 1.463 [37.16] | .084±.005 [2.13±.13] |
| TR22BI | 1.561 [39.65] | 1.481 [37.62] | .084±.005 [2.13±.13] |
| TR24AI | 1.673 [42.49] | 1.587 [40.31] | .084±.005 [2.13±.13] |
| TR24BI | 1.691 [42.95] | 1.605 [40.77] | .084±.005 [2.13±.18] |
| TR28AI | 1.932 [49.07] | 1.838 [46.68] | .084±.005 [2.13±.13] |
| TR28BI | 1.950 [49.53] | 1.858 [47.19] | .084±.005 [2.13±.13] |

© 2015 TE CONNECTIVITY LTD. FAMILY OF COMPANIES. ALL RIGHTS RESERVED
 TE CONNECTIVITY AND TE CONNECTIVITY (LOGO) ARE TRADEMARKS.
 OTHER LOGOS PRODUCT AND/OR COMPANY NAMES MAY BE TRADEMARKS OF THEIR RESPECTIVE OWNERS.

Raychem Adapters
 CUSTOMER DRAWING

| | | | | | |
|----------------------|--------------------|-------------|---------------------|----------------|--------------|
| REDRAWN T. NGUYEN | DATE 12-07-2015 | SIZE A | CAGE CODE: 06090 | DWG. NO. TR | REV: E |
| CAD FILE: TR-CD | | SCALE: NONE | | | SHEET 2 OF 2 |

X-ON Electronics

Largest Supplier of Electrical and Electronic Components

Click to view similar products for [Circular MIL Spec Strain Reliefs & Adapters](#) category:

Click to view products by [TE Connectivity](#) manufacturer:

Other Similar products are found below :

[896227-000](#) [899170S004](#) [6000-063-0022](#) [613751-000](#) [CS6624-000](#) [620AB038Z136](#) [620AS001Z108](#) [620AS038Z112](#) [620AS038Z120](#)
[620AS038Z132](#) [620FB038NF08](#) [620HA038NF13](#) [620HA038NF25](#) [620HA042XM13](#) [620HB049NF17](#) [620HS011NF21](#) [620HS038NF11](#)
[620HS038Z121](#) [620HS042XM19](#) [620HS042XM25](#) [620HS042XW13](#) [620HS048B17](#) [620MS064NF09](#) [620MS064NF12](#) [620MS065M12](#)
[620MS065Z107](#) [620MS065ZNU06](#) [630J041M06H](#) [630J041M20H](#) [637S010NF0212H](#) [640830-000](#) [659943-000](#) [66241-10A](#) [CW0597-000](#)
[CW0598-000](#) [CW0948-000](#) [CY0122-000](#) [M85049/41-6A W/B](#) [M85049/42-12DS](#) [M85049/47N8](#) [M85049/47W18](#) [M85049/51-1-14S](#)
[M85049/51-1-8W](#) [M85049/51S16S](#) [M85049/60-1N16](#) [M85049/60-2G12W](#) [M85049/69-11N](#) [CZ3661-000](#) [D02922-000](#) [70.360.1628.0](#)