

PART NUMBER	DESCRIPTION	VIEW	COMPLIANT TAIL PLATING
760940001	4 LIGHT PORTS	SEE PG 2	MATTE TIN / LEAD
760940002	INNER 2 PORTS	SEE PG 2	MATTE TIN / LEAD
760940003	OUTER 2 PORTS	SEE PG 2	MATTE TIN / LEAD
760945001	4 LIGHT PORTS	SEE PG 2	MATTE TIN
760945002	INNER 2 PORTS	SEE PG 2	MATTE TIN
760945003	OUTER 2 PORTS	SEE PG 2	MATTE TIN

NOTES

1. MATERIAL:

CAGE: NICKEL SILVER, THICKNESS: 0.25mm  
 CONNECTOR HOUSING: GLASS FILLED LIQUID CRYSTAL POLYMER (LCP), UL 94V-0, COLOR: BLACK  
 OVERMOLD TERMINAL HOUSING: GLASS FILLED LIQUID CRYSTAL POLYMER (LCP), UL 94V-0, COLOR: BLACK  
 TERMINALS: TIN BRASS  
 EMI GASKET: CONDUCTIVE ELASTOMER  
 LIGHTPIPE HOUSING: ZINC  
 LIGHTPIPES: POLYCARBONATE, COLOR: CLEAR

2. FINISHES:

TERMINALS: CONTACT AREA: 0.76 MICROMETERS MINIMUM HARD GOLD OVER 1.27 MICROMETERS MINIMUM NICKEL.  
 COMPLIANT TAIL - MATTE TIN/LEAD OPTION: 0.76 TO 1.52 MICROMETERS 90/10 MATTE TIN-LEAD OVER 0.76 MICROMETERS MINIMUM NICKEL.  
 COMPLIANT TAIL - MATTE TIN OPTION: 0.76 TO 1.52 MICROMETERS MATTE TIN OVER 0.76 MICROMETERS MINIMUM NICKEL.

LIGHT PIPE HOUSING: 80 MICROMETERS MINIMUM NICKEL OVER COPPER

3. REFER TO PS-75310-001 PRODUCT SPEC FOR ALL ELECTRICAL, MECHANICAL AND ENVIRONMENTAL SPECIFICATIONS.

4. LIGHT PIPE PAD LAYOUT IS FOR 0805 LOW-PROFILE LED PACKAGE FOR OTHER RECOMMENDED LAYOUTS REFER TO MOLEX'S REPORT TS-75310-001.

5. REFER TO PK-75451-001 FOR ALL PACKAGING SPECIFICATIONS.

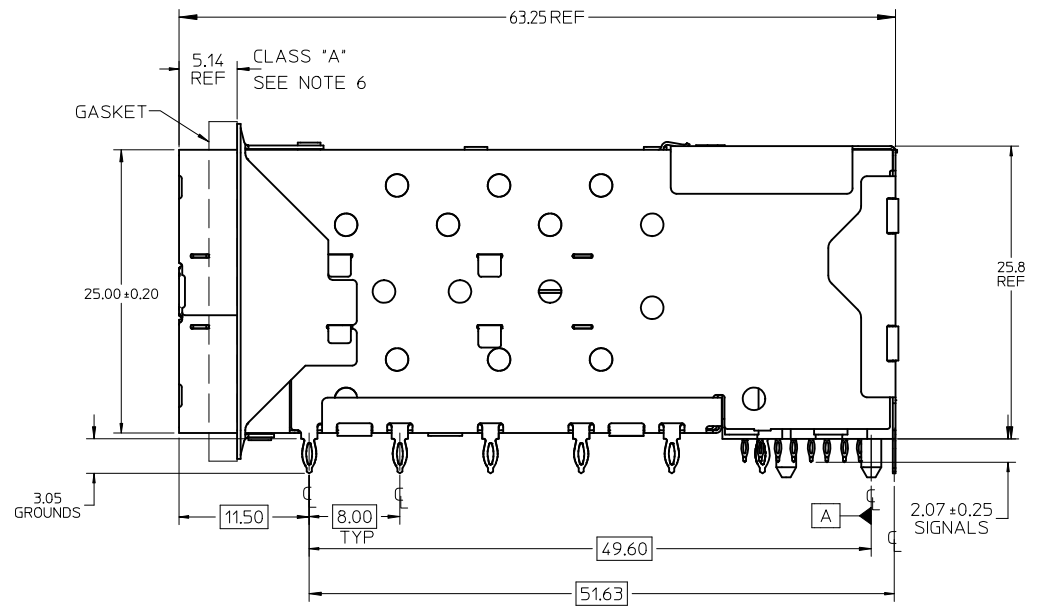
6. ALL EXTERIOR SURFACES TO BE CLASS 'B' SURFACES EXCEPT THE UNDER SIDE OF THE CAGE WHERE THE PCB WOULD BE LOCATED AND AS NOTED. THE SURFACES TO CONFORM TO THE MOLEX COSMETIC DOC PS-45499-002.

7. REFER TO AS-76090-001 FOR HIGH SPEED ROUTING RECOMMENDATIONS.

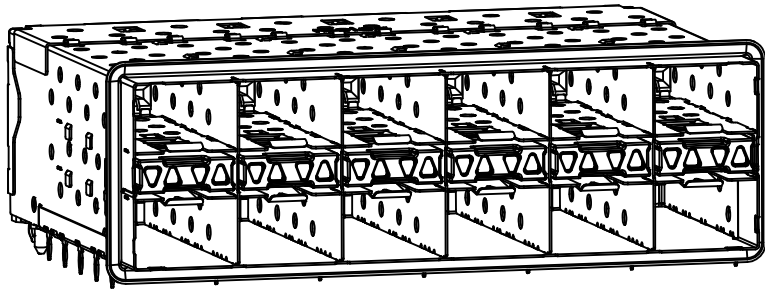
8. DATE CODE LOCATION IS SHOWN ABOVE.

DATE CODE FORMAT: DDDY MX A1  
 DDD = DAY OF THE YEAR  
 Y = YEAR  
 MX = MOLEX

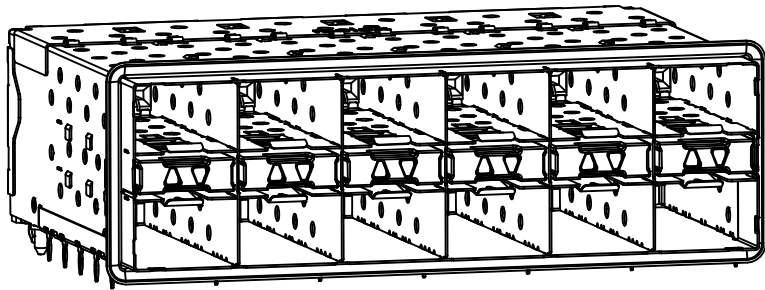
A = ALPHA CHARACTER - INDICATES MANUFACTURING LINE  
 1 = NUMERIC CHARACTER - INDICATES PRODUCTION SHIFT



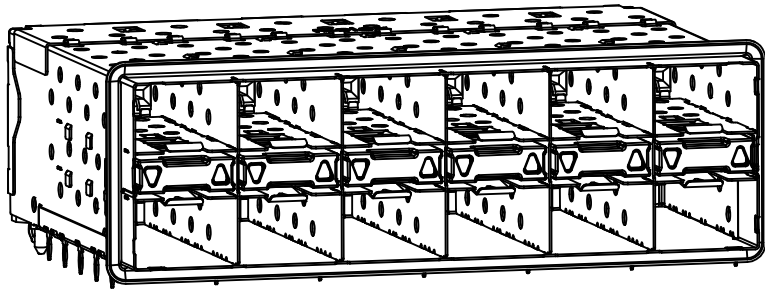
REV	DESCRIPTION	QUALITY SYMBOLS	GENERAL TOLERANCES (UNLESS SPECIFIED)		DIMENSION STYLE		SCALE	DESIGN UNITS	THIRD ANGLE PROJECTION
			mm	INCH	MM ONLY	DATE			
D	ADD NOTE 7 & 8 EC NO: UCP2011-2594 DRWN:WOLFE 2011/03/08 CHKD:BBARKER 2011/03/08 APPR:SMILLER 2011/09/20	▽=0 ▽=0 ▽=0	4 PLACES ± ---	± ---	DRAWN BY JLONG	DATE 01-18-2007	3:1	METRIC	MOLEX INCORPORATED SD-76094-001 SHEET NO. 1 OF 4
			3 PLACES ± ---	± ---	CHECKED BY MSANDBERG	DATE 01-18-2007			
			2 PLACES ± 0.13	± ---	APPROVED BY RNELSON	DATE 01-18-2007			
			1 PLACE ± 0.25	± ---	MATERIAL NO. SEE TABLE				
			ANGULAR ± 5 °		SIZE C				
			DRAFT WHERE APPLICABLE MUST REMAIN WITHIN DIMENSIONS		THIS DRAWING CONTAINS INFORMATION THAT IS PROPRIETARY TO MOLEX INCORPORATED AND SHOULD NOT BE USED WITHOUT WRITTEN PERMISSION				



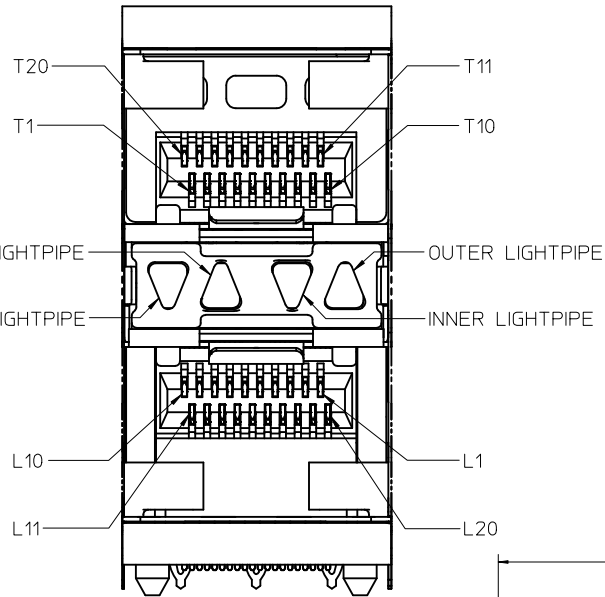
760940001 AND 760945001  
WITH INNER AND OUTER LIGHTPIPES



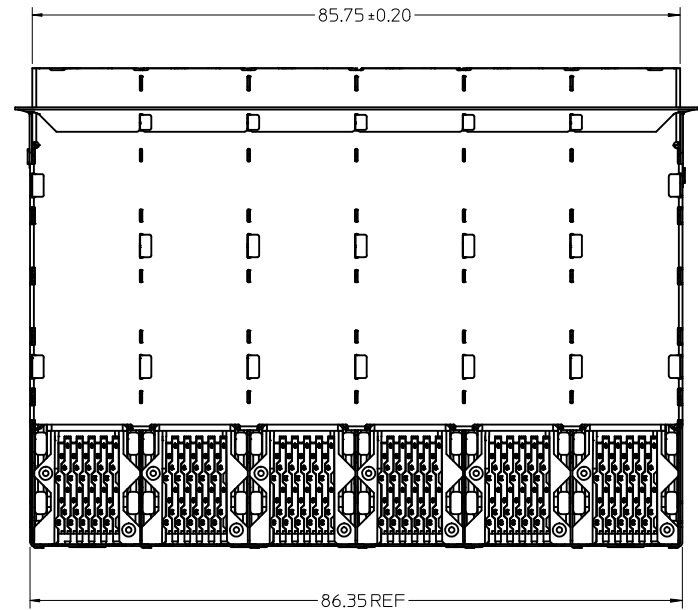
760940002 AND 760945002  
WITH INNER LIGHTPIPES



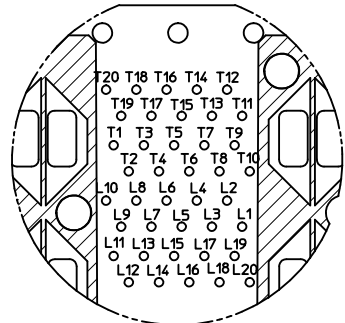
760940003 AND 760945003  
WITH OUTER LIGHTPIPES



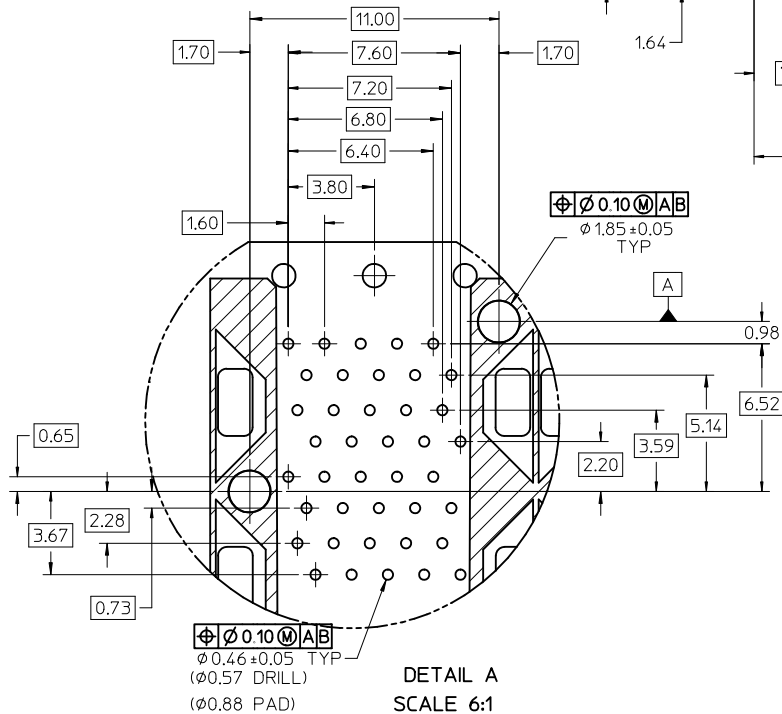
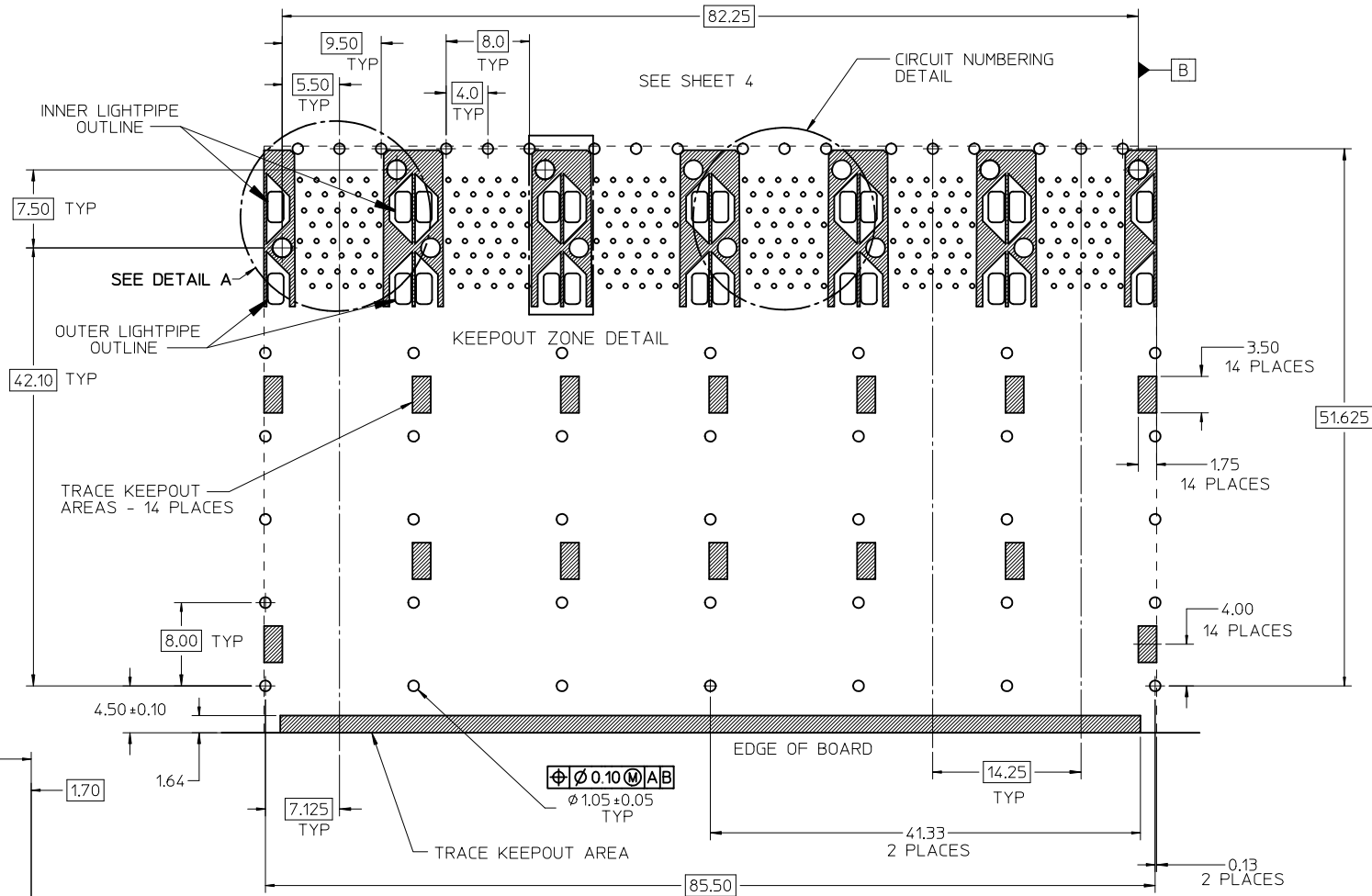
DETAIL B  
SCALE 5:1  
CIRCUIT NUMBERING  
AND LIGHTPIPE  
IDENTIFICATION



<b>ADD DETAIL B</b> EC NO: UCP2011-2594 DRWN:MWOLFE 2011/03/08 CHKD:BBARKER 2011/03/08 APPR:SMILLER 2011/09/20	QUALITY SYMBOLS 	GENERAL TOLERANCES (UNLESS SPECIFIED)		DIMENSION STYLE <b>MM ONLY</b>	SCALE <b>2:1</b>	DESIGN UNITS <b>METRIC</b>	THIRD ANGLE PROJECTION		
		4 PLACES ± --- ± ---	3 PLACES ± --- ± ---	DRAWN BY JLONG	DATE 01-18-2007	TITLE <b>STACKED SFP+ 2X6 ASS'Y WITH ELASTOMERIC GASKET</b>			
		2 PLACES ± 0.13 ± ---	1 PLACE ± 0.25 ± ---	CHECKED BY MSANDBERG	DATE 01-18-2007	APPROVED BY RNELSON			
		ANGULAR ± 5 °		MATERIAL NO. <b>SEE TABLE</b>		DOCUMENT NO. <b>SD-76094-001</b>		SHEET NO. <b>2 OF 4</b>	
DRAFT WHERE APPLICABLE MUST REMAIN WITHIN DIMENSIONS				THIS DRAWING CONTAINS INFORMATION THAT IS PROPRIETARY TO MOLEX INCORPORATED AND SHOULD NOT BE USED WITHOUT WRITTEN PERMISSION					



CIRCUIT NUMBERING  
COMPONENT SIDE OF BOARD  
SCALE 5:1



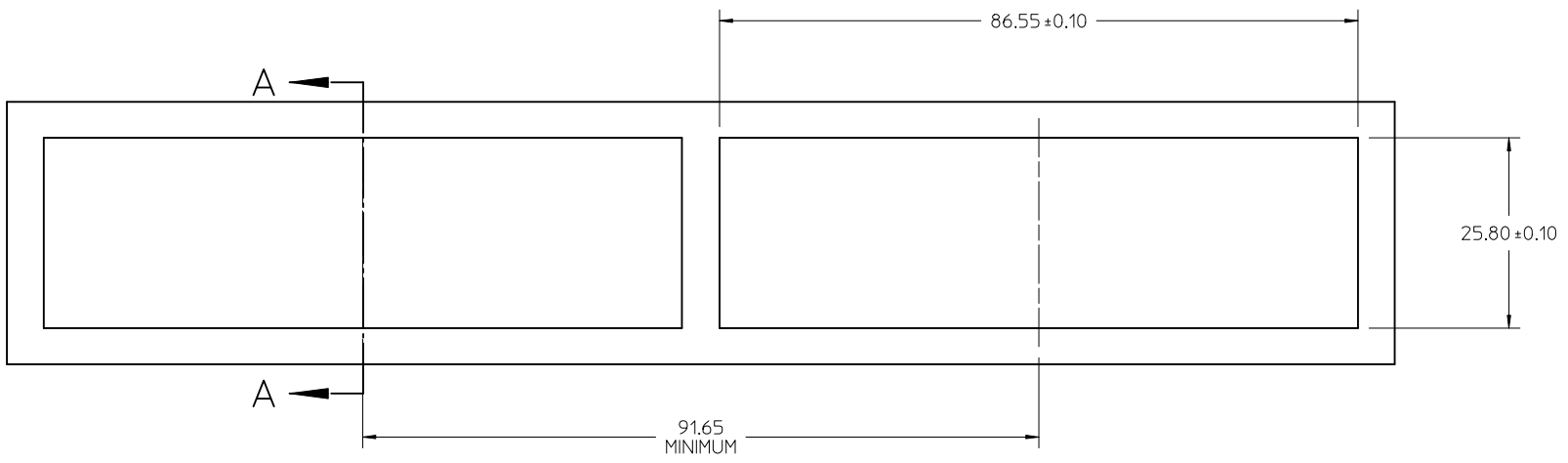
DETAIL A  
SCALE 6:1

RECOMMENDED PCB LAYOUT - COMPONENT SIDE  
RECOMMENDED PCB THICKNESS - 2.36 MM (.093 INCH)

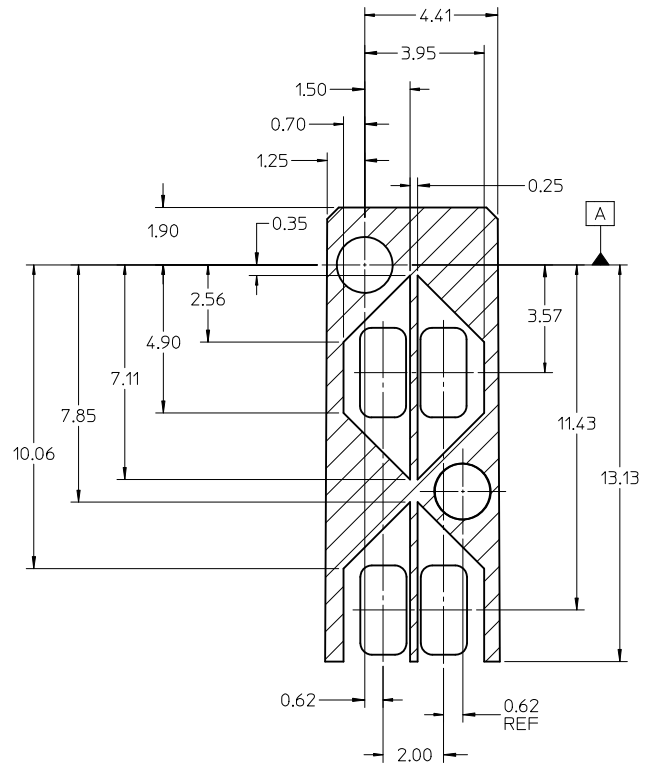
THE ENTIRE AREA OF THE CONNECTOR FOOTPRINT  
TO BE CONSIDERED THE KEEP OUT AREA FOR COMPONENTS  
(OTHER THAN LIGHTPIPE LED'S).

THIS AREA IS INDICATED BY THE DASHED LINE

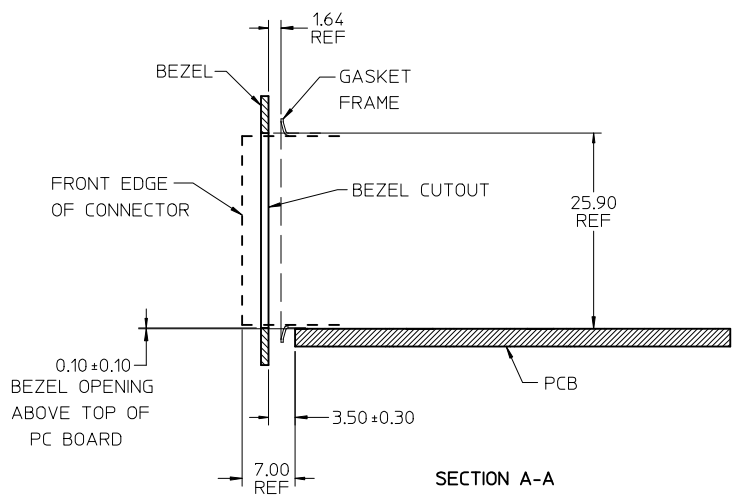
<b>CHG DETAIL CALLOUT</b> EC NO: UCP2011-2594 DRWN:WOLFE 2011/03/08 CHKD:BBARKER 2011/03/08 APPR:SMILLER 2011/09/20 REV: D	QUALITY SYMBOLS ▽=0 ▽=0 ▽=0	GENERAL TOLERANCES (UNLESS SPECIFIED) <table border="1"> <thead> <tr> <th></th> <th>mm</th> <th>INCH</th> </tr> </thead> <tbody> <tr> <td>4 PLACES</td> <td>± .10</td> <td>± .004</td> </tr> <tr> <td>3 PLACES</td> <td>± .15</td> <td>± .006</td> </tr> <tr> <td>2 PLACES</td> <td>± 0.13</td> <td>± .005</td> </tr> <tr> <td>1 PLACE</td> <td>± 0.25</td> <td>± .010</td> </tr> </tbody> </table>		mm	INCH	4 PLACES	± .10	± .004	3 PLACES	± .15	± .006	2 PLACES	± 0.13	± .005	1 PLACE	± 0.25	± .010	DIMENSION STYLE <b>MM ONLY</b> DRAWN BY DATE JLONG 01-18-2007 CHECKED BY DATE MSANDBERG 01-18-2007 APPROVED BY DATE RNELSON 01-18-2007	SCALE <b>3:1</b> DESIGN UNITS <b>METRIC</b> THIRD ANGLE PROJECTION	<b>STACKED SFP+ 2X6 ASS'Y WITH ELASTOMERIC GASKET</b>
		mm	INCH																	
	4 PLACES	± .10	± .004																	
	3 PLACES	± .15	± .006																	
2 PLACES	± 0.13	± .005																		
1 PLACE	± 0.25	± .010																		
DRAFT WHERE APPLICABLE MUST REMAIN WITHIN DIMENSIONS	MATERIAL NO. <b>SEE TABLE</b>	MOLEX INCORPORATED	SHEET NO. <b>3 OF 4</b>																	
THIS DRAWING CONTAINS INFORMATION THAT IS PROPRIETARY TO MOLEX INCORPORATED AND SHOULD NOT BE USED WITHOUT WRITTEN PERMISSION	DOCUMENT NO. <b>SD-76094-001</b>	MOLEX																		



BEZEL CUTOUT CENTER SPACING DETAIL  
BEZEL THICKNESS 0.8 - 2.6



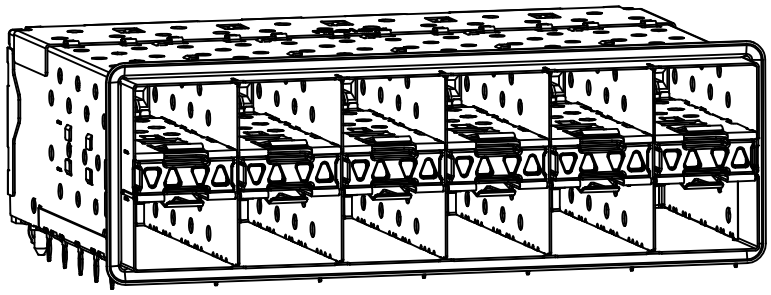
KEEPOUT ZONE DETAIL  
SCALE 8:1



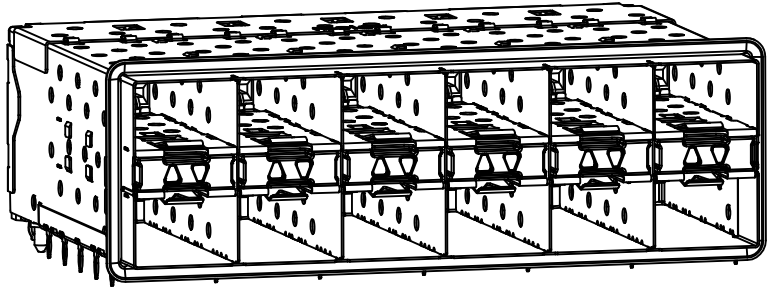
SECTION A-A

ADD SECOND BEZEL CUTOUT EC NO: UCP2011-2594 DRWN:WOLFE 2011/03/08 CHKD:BBARKER 2011/03/08 APPR:SMILLER 2011/09/20	QUALITY SYMBOLS ∇=0 ∇=0 ∇=0	GENERAL TOLERANCES (UNLESS SPECIFIED)		DIMENSION STYLE <b>MM ONLY</b>	SCALE <b>2:1</b>	DESIGN UNITS <b>METRIC</b>	THIRD ANGLE PROJECTION	
		4 PLACES ± --- ± --- 3 PLACES ± --- ± --- 2 PLACES ± 0.13 ± --- 1 PLACE ± 0.25 ± ---	mm INCH	DRAWN BY JLONG	DATE 01-18-2007	TITLE <b>STACKED SFP+ 2X6 ASS'Y WITH ELASTOMERIC GASKET</b>		
		ANGULAR ± 5 °		CHECKED BY MSANDBERG	DATE 01-18-2007	APPROVED BY RNELSON	DATE 01-18-2007	MOLEX INCORPORATED
		DRAFT WHERE APPLICABLE MUST REMAIN WITHIN DIMENSIONS		MATERIAL NO. <b>SEE TABLE</b>	DOCUMENT NO. <b>SD-76094-001</b>	SHEET NO. <b>4 OF 4</b>		

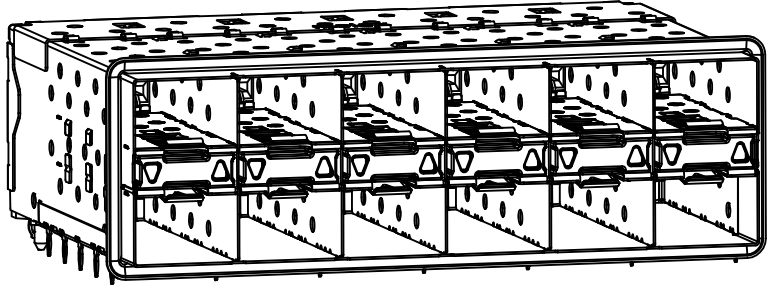




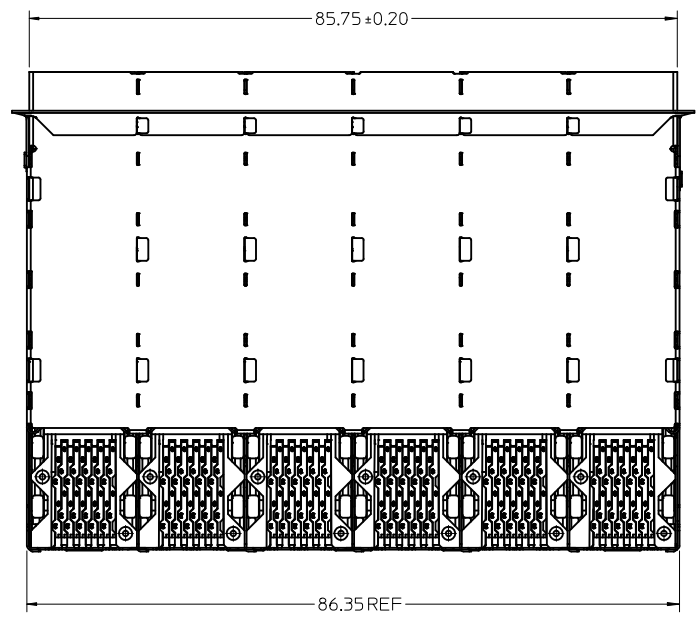
WITH INNER AND OUTER LIGHT PIPES



760946002 AND 760947002  
WITH INNER LIGHT PIPES

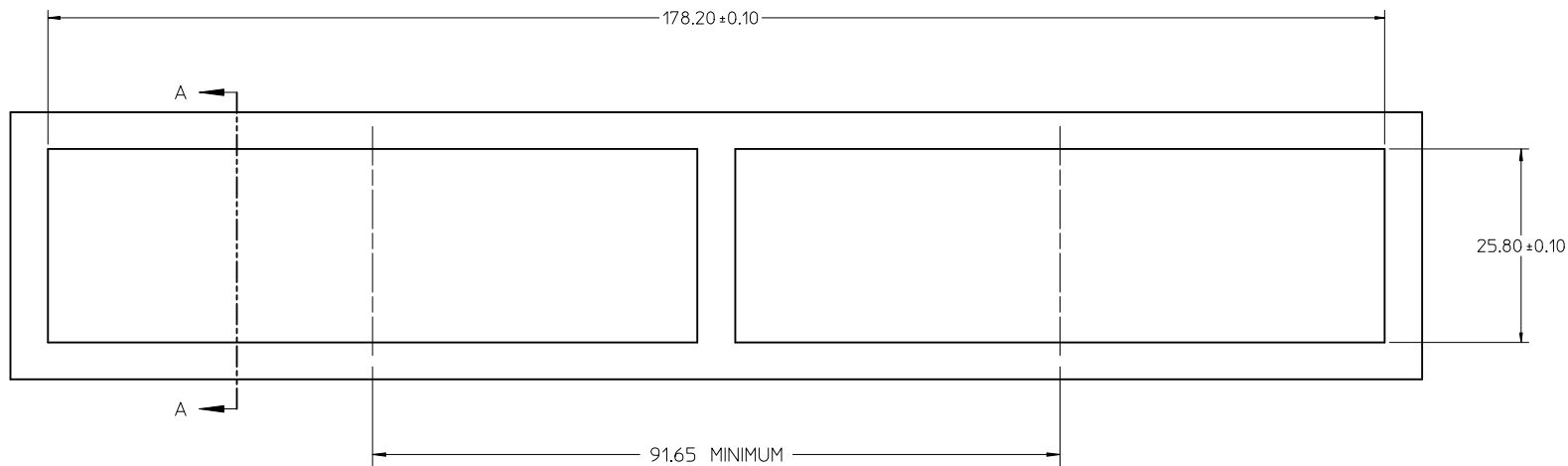


WITH OUTER LIGHT PIPES

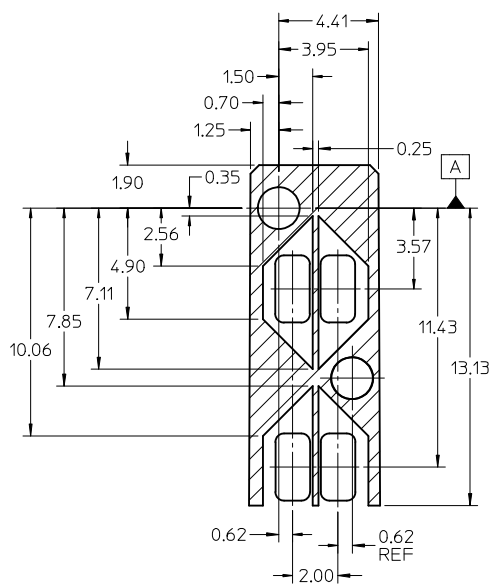


SEE SHEET 1 EC NO: UCP2011-3362 DRAWN BY: BBARKER 2011/05/01 CHKD:BSMART APPR:SMILLER 2011/05/09	QUALITY SYMBOLS ▽=0 ▽=0 ▽=0	GENERAL TOLERANCES (UNLESS SPECIFIED)		DIMENSION STYLE <b>MM ONLY</b>		SCALE <b>2:1</b>	DESIGN UNITS <b>METRIC</b>	THIRD ANGLE PROJECTION		
		4 PLACES ± --- ± --- 3 PLACES ± --- ± --- 2 PLACES ± 0.13 ± --- 1 PLACE ± 0.25 ± ---	mm INCH ± --- ± --- ± --- ± --- ± --- ± ---	DRAWN BY BBARKER	DATE 2010/10/19	CHECKED BY DATE	TITLE <b>STACKED SFP+ 2X6 ASS'Y WITH ELASTOMERIC GASKET ENHANCED EMI SHIELDING</b>			
		ANGULAR ± 5 °		APPROVED BY SMILLER	DATE 2011/05/09	MOLEX INCORPORATED				
	DRAFT WHERE APPLICABLE MUST REMAIN WITHIN DIMENSIONS	SEE SHEET 1	MATERIAL NO.	DOCUMENT NO. <b>SD-76094-003</b>	SHEET NO. <b>2 OF 4</b>	THIS DRAWING CONTAINS INFORMATION THAT IS PROPRIETARY TO MOLEX INCORPORATED AND SHOULD NOT BE USED WITHOUT WRITTEN PERMISSION				

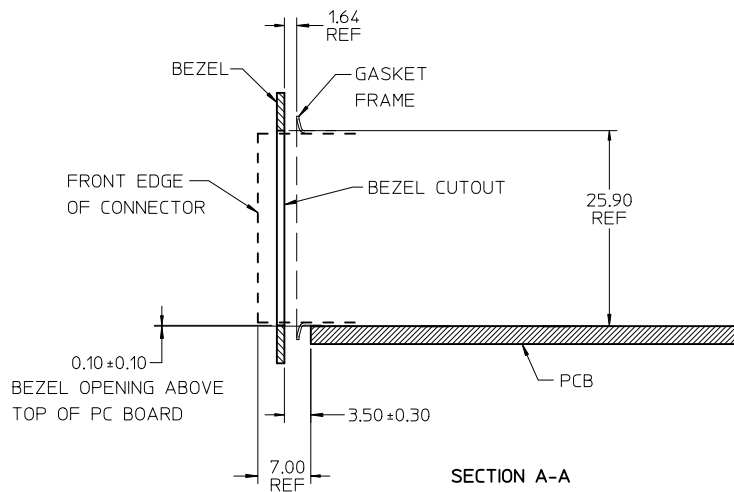




BEZEL CUTOUT CENTER SPACING DETAIL  
BEZEL THICKNESS 0.8 - 2.6



KEEPOUT ZONE DETAIL  
SCALE 6:1



SEE SHEET 1 EC NO: UCP2011-3362 DRW:BBARKER 2011/05/01 CHKD:BSMART APPR:SMILLER 2011/05/09	DESCRIPTION REV:	QUALITY SYMBOLS ∇=0 ∇=0 ∇=0	GENERAL TOLERANCES (UNLESS SPECIFIED) mm INCH 4 PLACES ± --- ± --- 3 PLACES ± --- ± --- 2 PLACES ± 0.13 ± --- 1 PLACE ± 0.25 ± --- ANGULAR ± 5 °	DIMENSION STYLE MM ONLY DRAWN BY DATE BBARKER 2010/10/19 CHECKED BY DATE	SCALE 2:1 DESIGN UNITS METRIC THIRD ANGLE PROJECTION	TITLE STACKED SFP+ 2X6 ASS'Y WITH ELASTOMERIC GASKET ENHANCED EMI SHIELDING
		APPROVED BY DATE SMILLER 2011/05/09	MOLEX INCORPORATED			
		MATERIAL NO. SEE SHEET 1	DOCUMENT NO. SD-76094-003			
		DRAFT WHERE APPLICABLE MUST REMAIN WITHIN DIMENSIONS	SHEET NO. 4 OF 4			



## X-ON Electronics

Largest Supplier of Electrical and Electronic Components

*Click to view similar products for [I/O Connectors](#) category:*

*Click to view products by [Molex](#) manufacturer:*

Other Similar products are found below :

[571763P](#) [58098-0628](#) [61-168618-12P](#) [D38999/20FJ29SB L/C](#) [72.250.1628.2](#) [72.250.2428.2](#) [74720-0505](#) [747680210](#) [76.350.0729.0](#) [76871-1403](#) [FCN-244F080-G/1](#) [FCN-260A9920](#) [FCN-268D024-G/2F#10X-R10](#) [MP-5T180MUNNA-005](#) [MP-5XRJ45UNNB-003](#) [PCS-E50FA](#) [PCS-XE26LKA](#) [PCS-XE26MA+](#) [PCS-XES68MS+](#) [G38A71314B](#) [91-569719-35R](#) [9776-18-6](#) [DX40-50P\(55\)](#) [1571250010](#) [157-22500-3](#) [MS3471L14-19P L/C](#) [171224-6031](#) [1888020-8](#) [91-569786-35H](#) [91-569786-35M](#) [91-644626-35P](#) [172501-4002](#) [172501-6002](#) [FCN-260C008-A/L0](#) [FCN-260C024-AL0](#) [FCN-261Z008](#) [FCN-268D008-G/1K](#) [2000314-1](#) [200331-1](#) [2007498-2](#) [PCR-E28LMDAG1+](#) [PCR-E36FC+](#) [PCS-E28FS+](#) [PCS-XE26SLFD+](#) [PCS-XE26SLFDT+](#) [G38A71214B](#) [HDRA-E68W1LFDTC-SL+](#) [HDR-E14MSG1+](#) [R88A-CNK81S](#) [CRT1-ATT02](#)