



ISL95853

Multiphase PWM Regulator for IMVP8™ CPUs



DATASHEET

Request Full Datasheet

OVERVIEW

PARAMETRICS

DOCUMENTS

PACKAGING &
ENVIRONMENTAL

RESOURCES

ORDER

Key Features

- Serial data bus
- Output configurable 3-, 2- or 1-phase using two integrated gate drivers
- Precision core voltage regulation
 - 0.5% system accuracy over temperature
 - Enhanced load line accuracy
- Supports multiple current sensing methods
 - Lossless inductor DCR current sensing
 - Precision resistor current sensing
- Differential remote voltage sensing
- Programmable V_{BOOT} voltage at start-up
- Resistor programmable I_{CCMAX} and voltage transition slew rate
- Adaptive body diode conduction time reduction
- System input power monitor

Description

The ISL95853, fully compliant with Intel IMVP8™ specifications, provides a complete solution for microprocessor core power supply. It also provides a Voltage Regulator (VR) with two integrated and one external gate drivers. The VR can be configured as 3-, 2- or 1-phase, providing maximum flexibility. The VR uses the serial control bus (SVID) to communicate with the CPU and achieves lower cost and smaller board area.

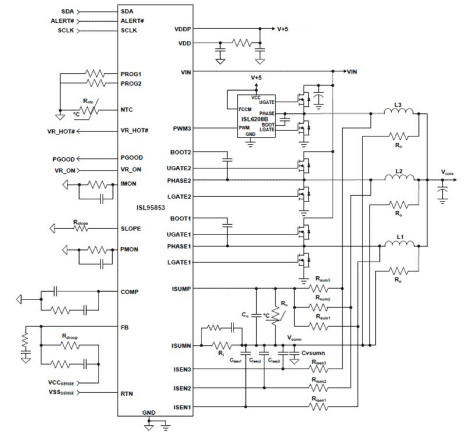
Based on Intersil's Robust Ripple Regulator (R3™) technology, the PWM modulator compared to traditional modulators, has faster transient settling time, variable switching frequency during load transients and has improved light load efficiency with its ability to automatically change switching frequency.

The ISL95853 has several other key features. The output supports DCR current sensing with single NTC thermistor for DCR temperature compensation or accurate resistor current sensing. The output comes with remote voltage sense, programmable V_{BOOT} voltage, programmable I_{CCMAX} , programmable voltage transition slew rate, adjustable switching frequency, overcurrent protection and power-good output.

Applications

- Notebook computers
- Desktop computers

TYPICAL DIAGRAM

[ENLARGE](#)[Purchase](#)

Contact Us

[Contact Sales & Distributors](#)[Contact Support](#)

Follow Us








Careers at Intersil

[Search for jobs](#)

Parameters	ISL95853
Max # of Outputs	1
Max # of Phases	3
V _{IN} (min) (V)	4.5
V _{IN} (max) (V)	25
V _{OUT} (min) (V)	0.25
V _{OUT} (max) (V)	1.52
I _{OUT} (max) (A)	90
V _{BIAS} (V)	4.75 to 5.25
VID	Yes
Applications	IMVP8
Droop	Yes
Integrated MOSFET Driver(s)	Yes

ISL6261	ISL6261
	1
	2
4.75	4
24	2
0.3	0
1.5	1
50	1
	4
Yes	Y
IMVP-6	IM
	Y
	N

Devices

Part Number	Package Type	Weight(g)	Pins
ISL95853HRZ-T	 32 Ld QFN T+R	0.05	32
ISL95853HRZ	 32 Ld QFN	0.05	32
ISL95853HRZ-TK	 32 Ld QFN T+R	0.05	32
ISL95853IRZ	 32 Ld QFN	0.05	32
ISL95853IRZ-T	 32 Ld QFN T+R	0.05	32

X-ON Electronics

Largest Supplier of Electrical and Electronic Components

Click to view similar products for [Switching Controllers](#) category:

Click to view products by [Renesas](#) manufacturer:

Other Similar products are found below :

[LV5065VB-TLM-H](#) [LV5066V-TLM-H](#) [LV5725JAZ-AH](#) [633888R](#) [MP2908AGF](#) [AZ7500EP-E1](#) [NCP1012AP133G](#) [NCP1217P133G](#)
[NCP1218AD65R2G](#) [NCP1234AD100R2G](#) [NCP1244BD065R2G](#) [NCP1336ADR2G](#) [NCP1587GDR2G](#) [NCP6153MNTWG](#)
[NCP81005MNTWG](#) [NCP81101BMNTXG](#) [NCP81205MNTXG](#) [HV9123NG-G-M934](#) [IR35207MTRPBF](#) [ISL6367HIRZ](#) [CAT874-80ULGT3](#)
[SJ6522AG](#) [SJE6600](#) [TLE63893GV50XUMA1](#) [IR35215MTRPBF](#) [SG3845DM](#) [NCP1216P133G](#) [NCP1236DD65R2G](#) [NCP1247BD100R2G](#)
[NCP1250BP65G](#) [NCP4202MNR2G](#) [NCP4204MNTXG](#) [NCP6132AMNR2G](#) [NCP81141MNTXG](#) [NCP81142MNTXG](#) [NCP81172MNTXG](#)
[NCP81203MNTXG](#) [NCP81206MNTXG](#) [NX2155HCUPTR](#) [UC3845ADM](#) [UBA2051C](#) [IR35201MTRPBF](#) [MAX8778ETJ+](#)
[MAX17500AAUB+T](#) [MAX17411GTM+T](#) [MAX16933ATIR/V+](#) [NCP1010AP130G](#) [NCP1063AD100R2G](#) [NCP1216AP133G](#)
[NCP1217AP100G](#)