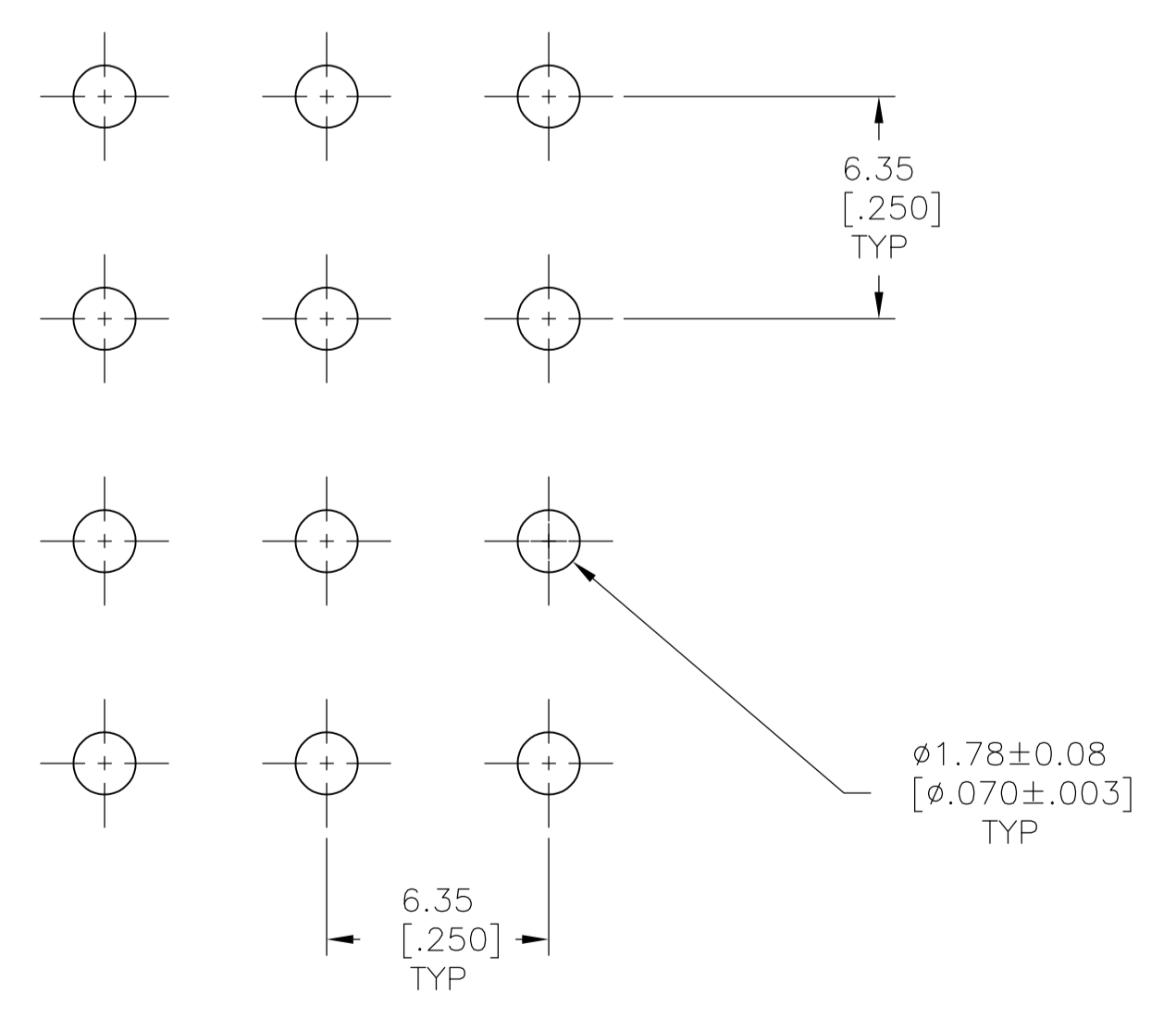
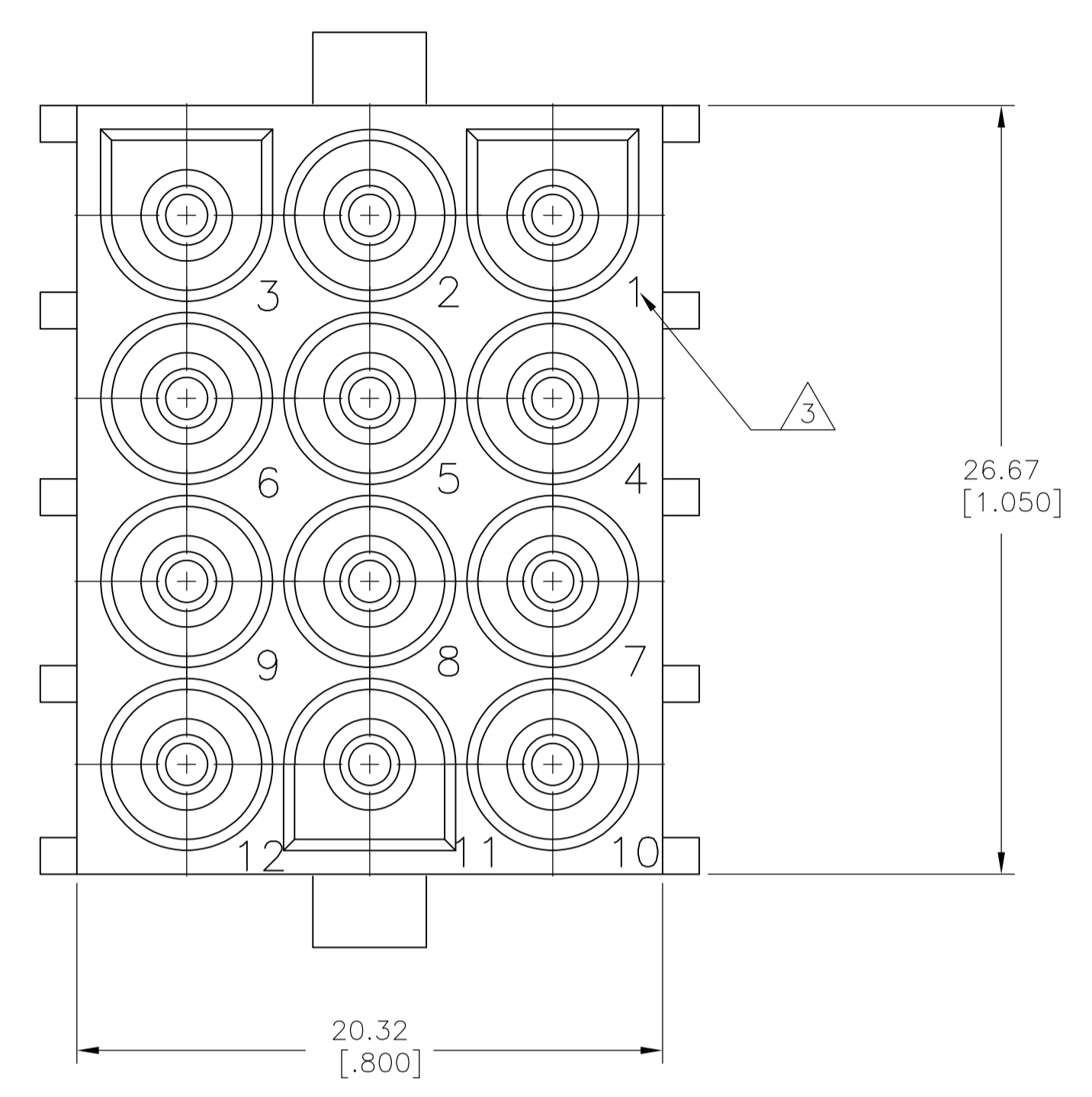
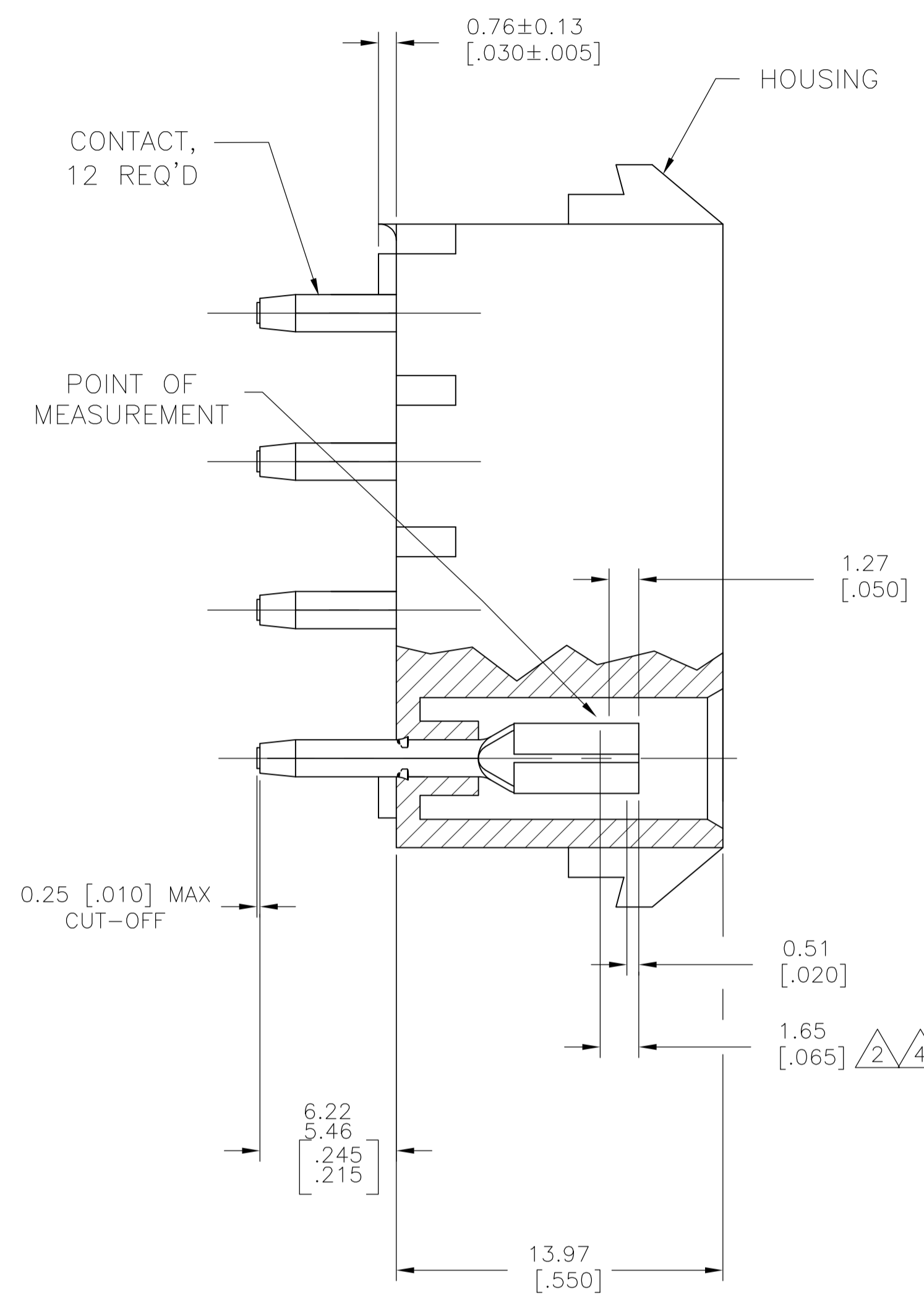
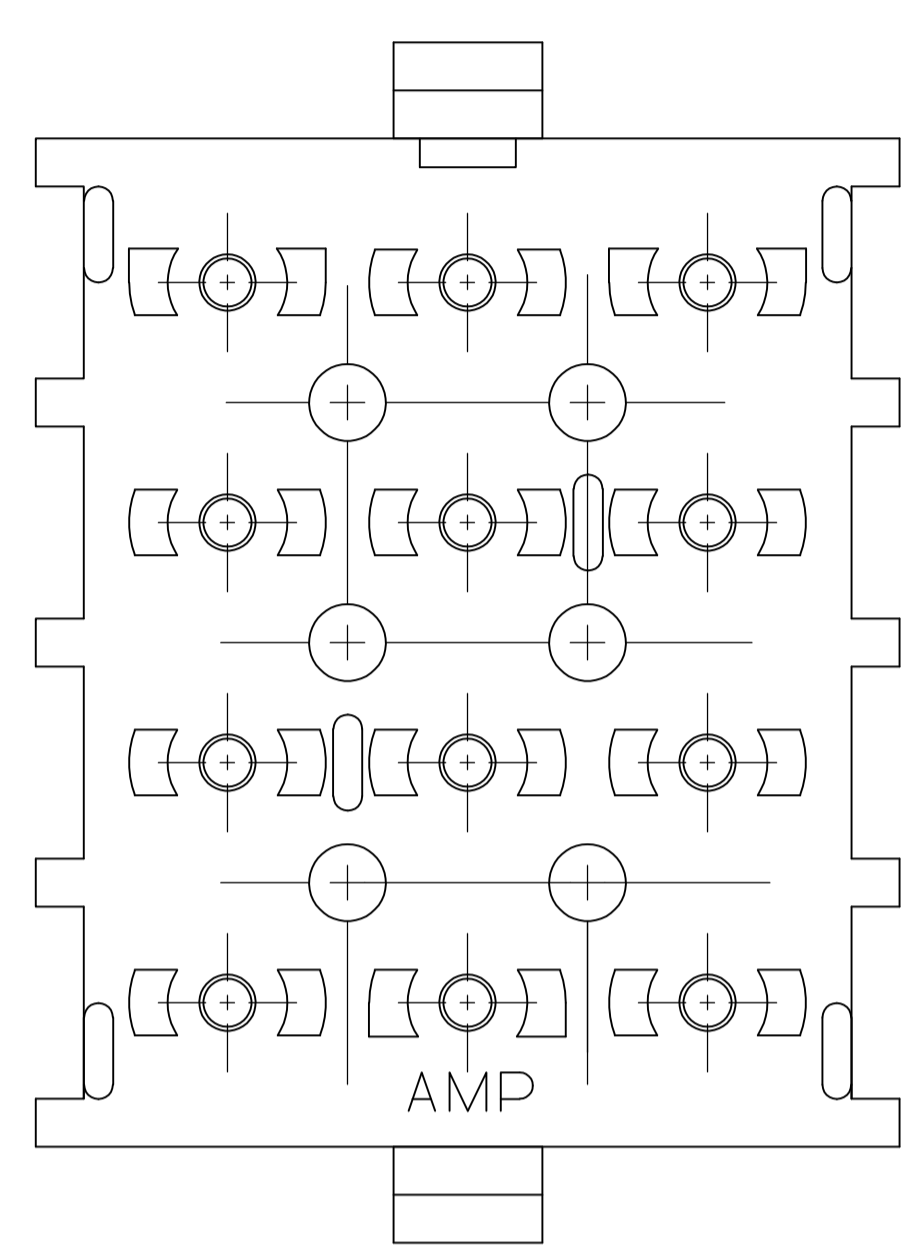


LOC		DIST		REVISIONS			
CM	00	REV	DATE	BY	CHK	APPV	
M2		REVISED PER ECR-12-011660	28JAN13	KH		TM	

- 1 PARTS MUST COMPLY WITH AMP SOLDERABILITY SPEC 109-11-3.
- 2 CONTACT IS STAMPED FROM PRE-PLATED STOCK WHICH IS PLATED OVERALL WITH 0.00127 [.000050] NICKEL, THEN STRIPED WITH 0.00076 [.000030] GOLD IN CONTACT AREA INDICATED AND TIN-LEAD ON SOLDER TAIL END.
- 3 CIRCUIT IDENTIFICATION CHARACTERS ARE ADJACENT TO THE INDICATED CAVITIES, BUT LOCATION AND ORIENTATION MAY DIFFER FROM PRINT.
- 4 CONTACT IS PLATED OVERALL WITH 0.00127 [.000050] NICKEL, THEN 0.00076 [.000030] GOLD OVER CONTACT LENGTH INDICATED AND MATTE TIN ON SOLDER TAIL END.
- 5 SUPERSEDED BY 350836-4



5	PH BRZ GOLD $\Delta$ 3	NYLON,94V-0	350836-4
	PH BRZ GOLD $\Delta$ 2	NYLON,94V-0	350836-2
	PH BRZ TIN	NYLON,94V-0	350836-1
	CONTACT	HOUSING	PART NO

RECOMMENDED LAYOUT FOR 3.18 [.125] THICK PC BOARD

THIS DRAWING IS A CONTROLLED DOCUMENT.

DIMENSIONS:	TOLERANCES UNLESS OTHERWISE SPECIFIED:	DIN K. WHITAKER 11OCT2005	TE Connectivity
mm [INCHES]		CHK S. RIDGILL 11OCT2005	
0 PLC ±		APPV S. RIDGILL 11OCT2005	NAME
1 PLC ±			12 CIRCUIT UNIVERSAL MATE-N-LOK (TM)
2 PLC ±			P.C. BOARD SOCKET HEADER ASSEMBLY
3 PLC ± 0.13 [.005]			APPLICATION SPEC
4 PLC ±			SIZE
ANGLES ±			CAGE CODE
			DRAWING NO
MATERIAL SEE TABLE	FINISH SEE TABLE	WEIGHT	RESTRICTED TO
			A1 00779 C=350836
			CUSTOMER DRAWING

SCALE 5:1 SHEET 1 OF 1 REV M2

## X-ON Electronics

Largest Supplier of Electrical and Electronic Components

*Click to view similar products for [Pin & Socket Connectors](#) category:*

*Click to view products by [TE Connectivity](#) manufacturer:*

Other Similar products are found below :

[6450822-1](#) [770392-1](#) [794042-1](#) [796885-1](#) [8-794535-1](#) [881459-2](#) [R929993003](#) [1-350779-3](#) [1403611-1](#) [1-480349-5](#) [152302-5](#) [1586092-1](#)  
[1586129-1](#) [1586487-1](#) [1586681-4](#) [1586700-1](#) [1586065-1](#) [1586077-1](#) [1586368-1](#) [1586380-1](#) [1586616-1](#) [1586680-5](#) [1586681-2](#) [1604996-1](#)  
[16-06-0038](#) [164164-5](#) [1-6609930-1](#) [172296-1](#) [1-794714-6](#) [19-09-2035](#) [1969804-1](#) [200503-1](#) [200788-2](#) [201046-7](#) [202648-4](#) [2029076-2](#)  
[2029090-4](#) [2029095-4](#) [2-66102-6](#) [925061-7](#) [926681-1](#) [293734-4](#) [293737-2](#) [1-765362-4](#) [1-794606-3](#) [1871534-1](#) [1969795-1](#) [1969798-1](#)  
[1969800-1](#) [200833-4](#)