

# μCom-10Gb +

Harsh Environment 10Gb  
Ethernet Micro Connectors



**μCom-Series** is a new range of connectors designed to address the latest trends of the industry : **miniaturization** and **high speed**, with the highest resistance for use in the **harshest environments**.

**μCom-10Gb +** is the first product of this new range.

## KEY CHARACTERISTICS

- 10Gb+ exceeds 10Gb/s Ethernet following IEEE 802.3an-2006 : **10GBase-T**
- Environmental testing based on **MIL-DTL-38999 series III** military specifications
- Miniature : **15 mm(.59") max** external diameter

## FEATURES AND BENEFITS

- 4 pairs totally insulated throughout the connector
  - ➔ minimum cross-talk between the four pairs
- Patent pending special interfacial shapes
  - ➔ minimum perturbation at the interface of each pair
- Thread coupling mechanism
  - ➔ 2000 mating cycles & high vibration resistance
- Machined Brass shells and RoHS compliant plating
  - ➔ shell to shell continuity and 500h salt Spray resistance
- Machined & gold plated Solder and Crimp contacts
  - ➔ design & performance according to the innercontact of M39029/77-429#16 M39029/76-425#16 38999 contact
- Solder contact : max AWG24
- Crimp contact : AWG 24 to 26
- IP68 sealing mated and unmated for receptacles
- 1500 Vrms Dielectric Withstanding voltage
- Temperature range : - 55°C / + 125°C

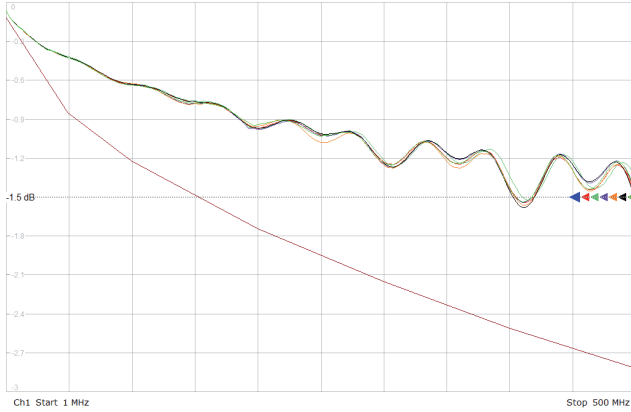
## APPLICATIONS

- **DEFENSE** : C4ISR, Battlefield Communications, Shipboard, Ground Vehicles Vetronics.
- **AERONAUTICAL** : In Flight Entertainment, Avionics, Communication Systems.
- **RAIL MASS TRANSIT** : Passenger Information Systems, Communication Systems.

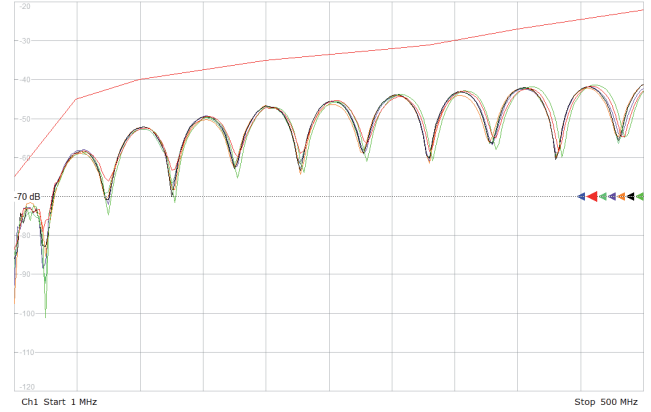


TRANSMISSION DATA

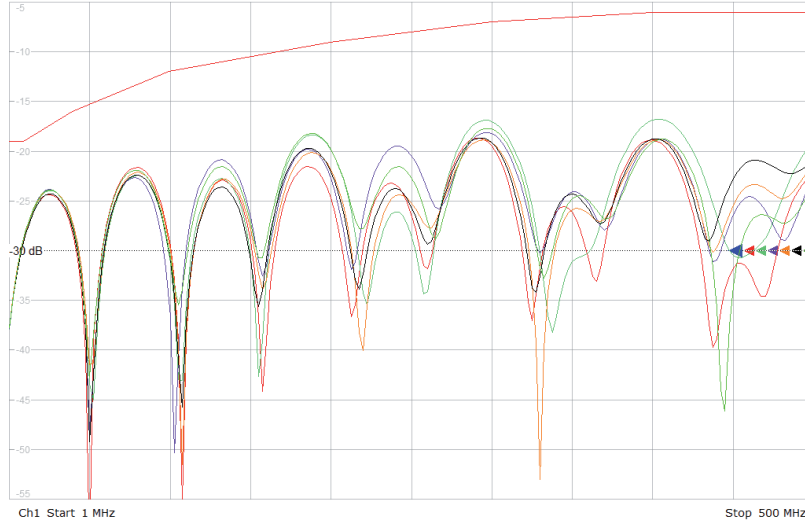
Insertion Loss



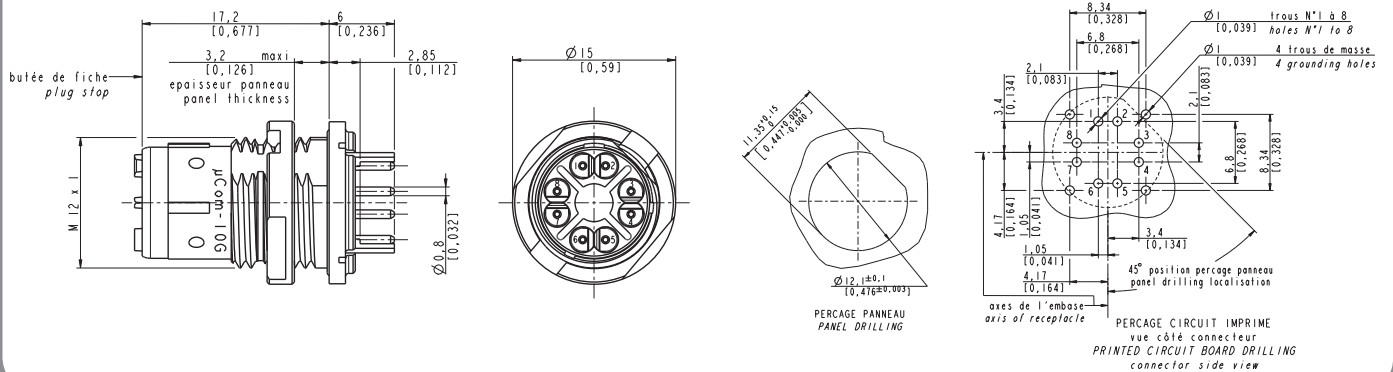
Next 1-2



Return Loss

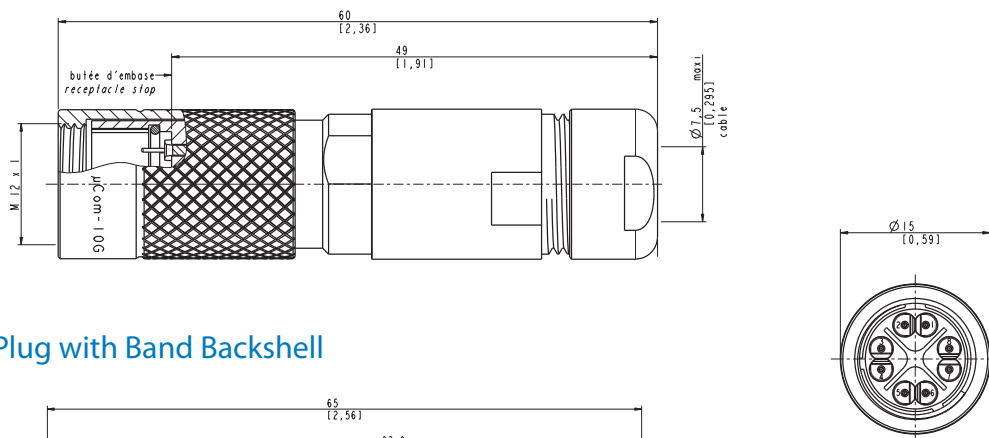


RECEPTACLE

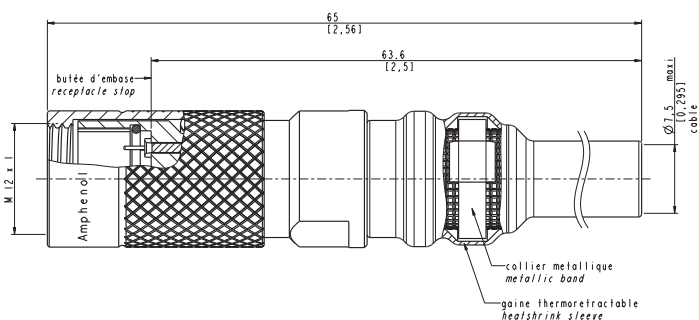


## PLUGS & CORDSETS

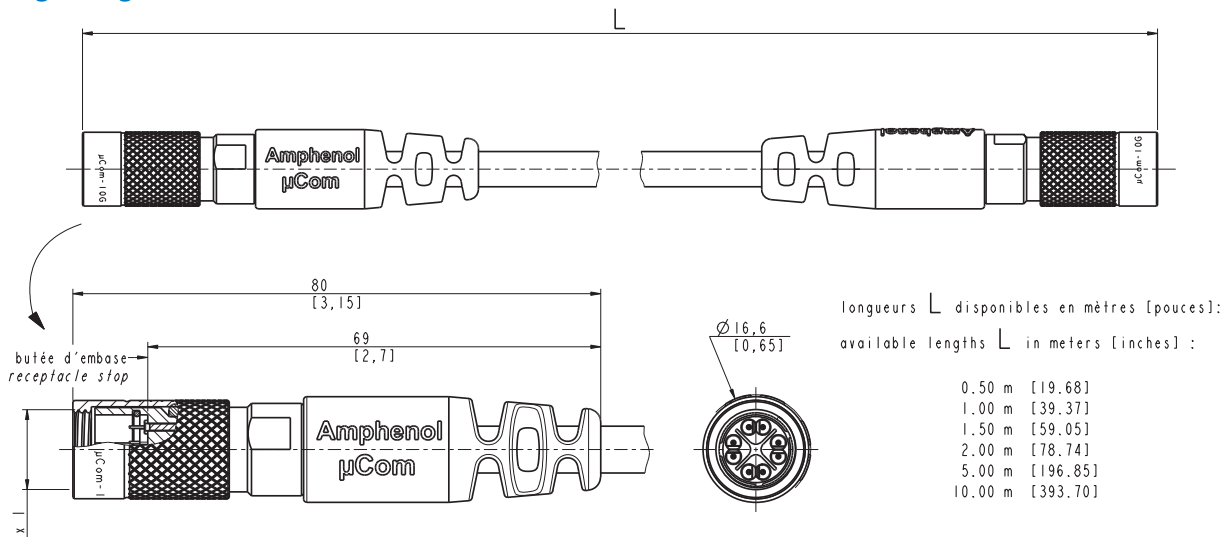
### Plug with Gland Backshell



### Plug with Band Backshell



### Plug - Plug Cordsets



Type of Cable used : CAT 7 HFFR  
According to EN 50288-4-2



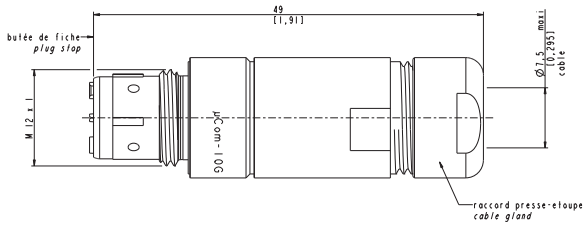
- Stranded bare copper wire (26 AWG)
- 4 Screened twisted pairs: 2 wires twisted to a pair, Alulaminated foil overlapped
- Shield braiding of tinned copper wires, about 80% coverage
- Strain member of Kevlar

- Jacket in black Polyurethane (PUR), glossy finish, acc to DIN VDE 0282
- External diameter 7.0 +/-0.3 mm
- UV & Hydrolysis resistant, Halogen free, RoHS compliant
- Max Pull force: 800 N, Weight : about 54 kg/km
- Temperature : - 40°C / + 85°C

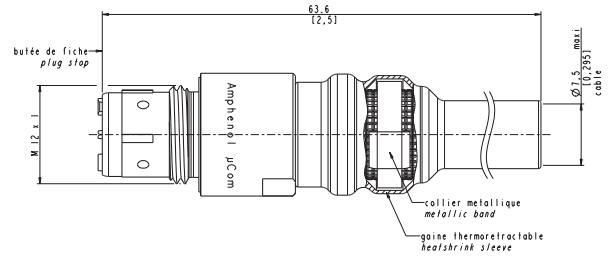
For full dimensions, please ask for Customer Drawing

## IN LINE RECEPTACLES

In line receptacle with Gland Backshell



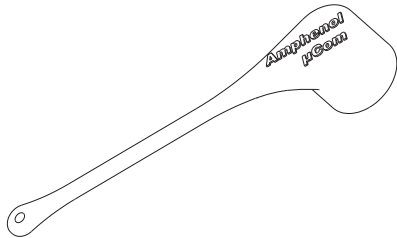
In line receptacle with Band Backshell



## TOOLS AND ACCESSORIES

### Receptacle Caps

Neoprene Version P/N : 31091



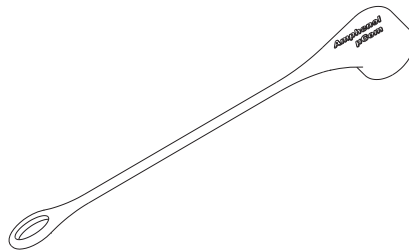
Nota : plan a type M3 hole on the panel

Metal Version P/N : 31057

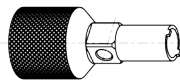


### Plug Caps

Neoprene Version P/N : 31092



Receptacle Nut Clamping tool  
P/N : 31055



### Crimp Contact insertion tool

P/N : 31056



Contact positioner  
For M22520/2-01 crimping tool  
P/N : 31095



## HOW TO ORDER

### Receptacles

μCom-10G+ RPB

- Shell
- R Receptacle (push-pull or thread)
- Contacts Termination
- P PCB
- S Solder
- Shell Plating
- B Black Nickel
- G Olive drab Cadmium
- U Unplated Brass

### Plugs & In Line Receptacles

μCom-10G+ PTCBBA

- Shell
- L In Line Receptacle
- P Plug
- Mating (for plugs only)
- T Thread
- Contacts Termination
- C Crimp
- S Solder
- Shell Plating
- B Black Nickel
- G Olive drab Cadmium
- U Unplated Brass
- Backshell Type
- G Gland
- B Band
- Cable Diameter (For Gland Backshell Only)
- A: for cable diam 7,5 mm
- B: TBD

### Plugs-Plugs Cordsets

with Cat7 HFFR Cable, Outdoor PUR jacket

μCom-10G+ CTCB015

- Shell
- C Plug - Plug Cordset
- F Plug Cordset-open
- Mating (for plugs only)
- T Thread
- Contacts Termination
- C Crimp
- S Solder
- Shell Plating
- B Black Nickel
- G Olive drab Cadmium
- U Unplated Brass
- Total Length
- 005 - 50 cm [19,68]
- 010 - 1,0 m [39,37]
- 015 - 1,5 m [59,05]
- 020 - 2,0 m [78,74]
- 050 - 5,0 m [196,85]
- 100 - 10,0 m [393,70]

## X-ON Electronics

Largest Supplier of Electrical and Electronic Components

*Click to view similar products for [Circular DIN Connectors](#) category:*

*Click to view products by [Amphenol](#) manufacturer:*

Other Similar products are found below :

[CTV06RQF-25-8SA-LC](#) [CTV06RQF-25-8S-LC](#) [CTV06RQW-25-8SB-LC](#) [CTV06RW-25-20P](#) [CTV06RW-25-20PA](#) [CTV06RW-25-20PB](#)  
[CTV06RW-25-20PE-LC](#) [CTV06RW-25-20SB](#) [CTV06RW-25-20SE](#) [CTV07RW-17-8S\(506\)](#) [CTVP00RW-19-32S\(506\)](#) [CTVP00RW-9-35S\(506\)](#) [M83723/71R20416](#) [M83723/71R22196](#) [M83723/71W2039N](#) [M83723/71W24196](#) [M83723/71W2419N](#) [M83723/72A1404N-LC](#)  
[M83723/72R1203N](#) [M83723/72W20418](#) [M83723/72W22126](#) [M83723/72W22556](#) [M83723/72W2419N](#) [M83723/72W2461N](#)  
[M83723/73R2028N](#) [M83723/73R2039N](#) [M83723/73W1412N](#) [M83723/73W2039N](#) [M83723/74R1624N](#) [M83723/74R1808N](#)  
[M83723/74R2212N](#) [M83723/74W1203N](#) [M83723/74W1412N](#) [M83723/74W20416](#) [M83723/74W2041N](#) [M83723/75R10058](#)  
[M83723/75W2232N](#) [M83723/76R14157](#) [M83723/76R20256](#) [M83723/76W1808N](#) [M83723/76W2016N](#) [M83723/76W2461N](#)  
[M83723/77W2016N](#) [M83723/78R22327](#) [M83723/78W2212N](#) [M83723/78W22556](#) [M85049/50-5F](#) [D38999/20FF11AC](#) [D38999/20FJ20BB](#)  
[D38999/20FJ20SC](#)