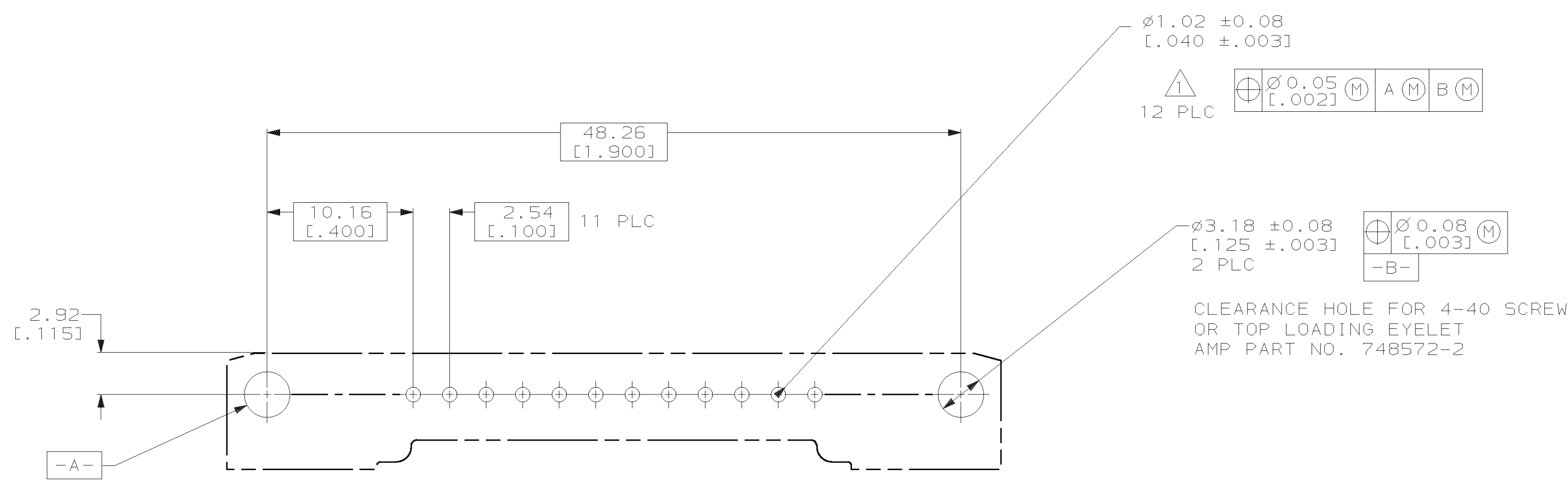
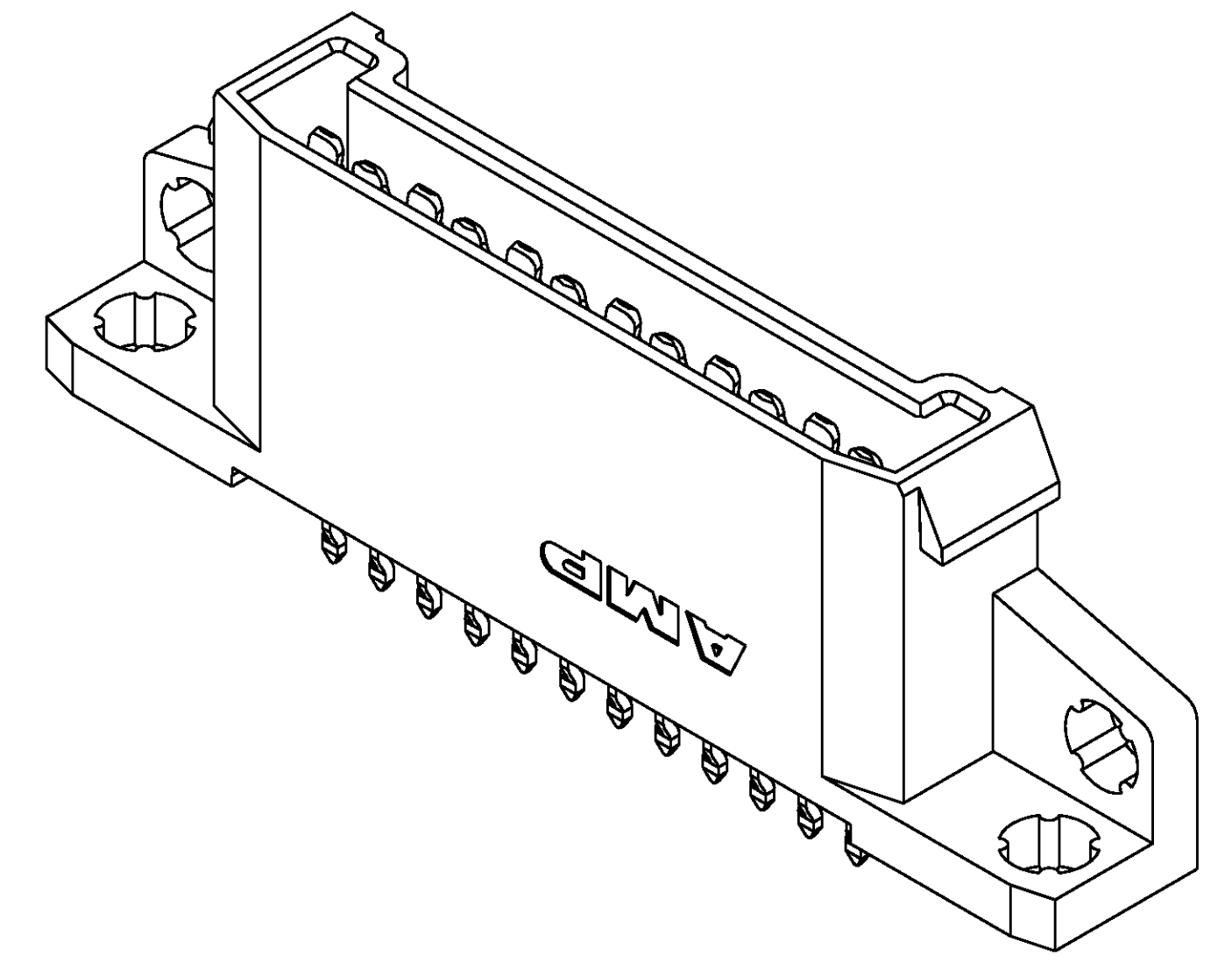
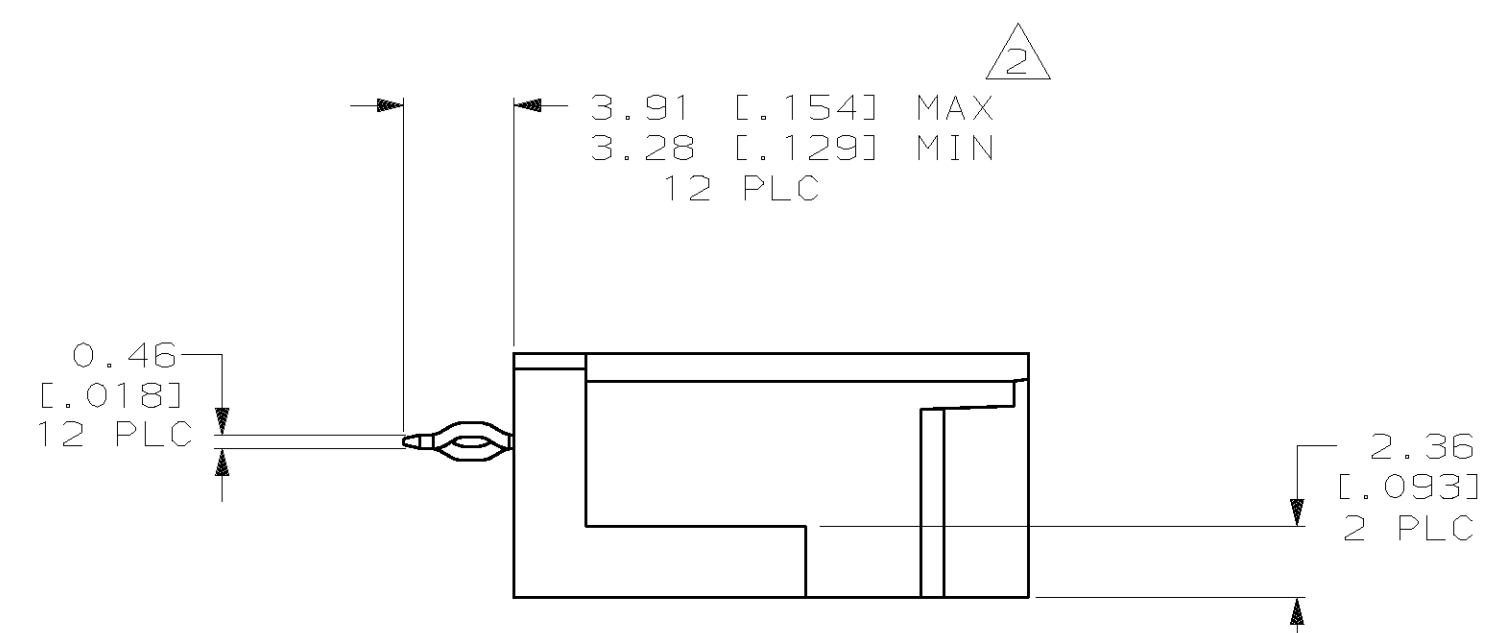
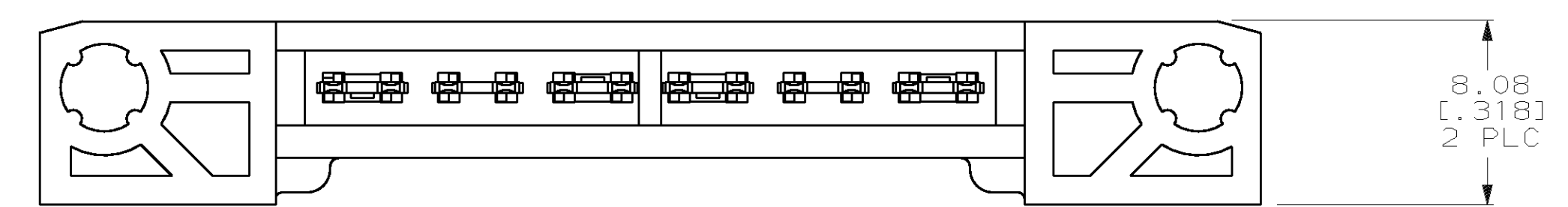
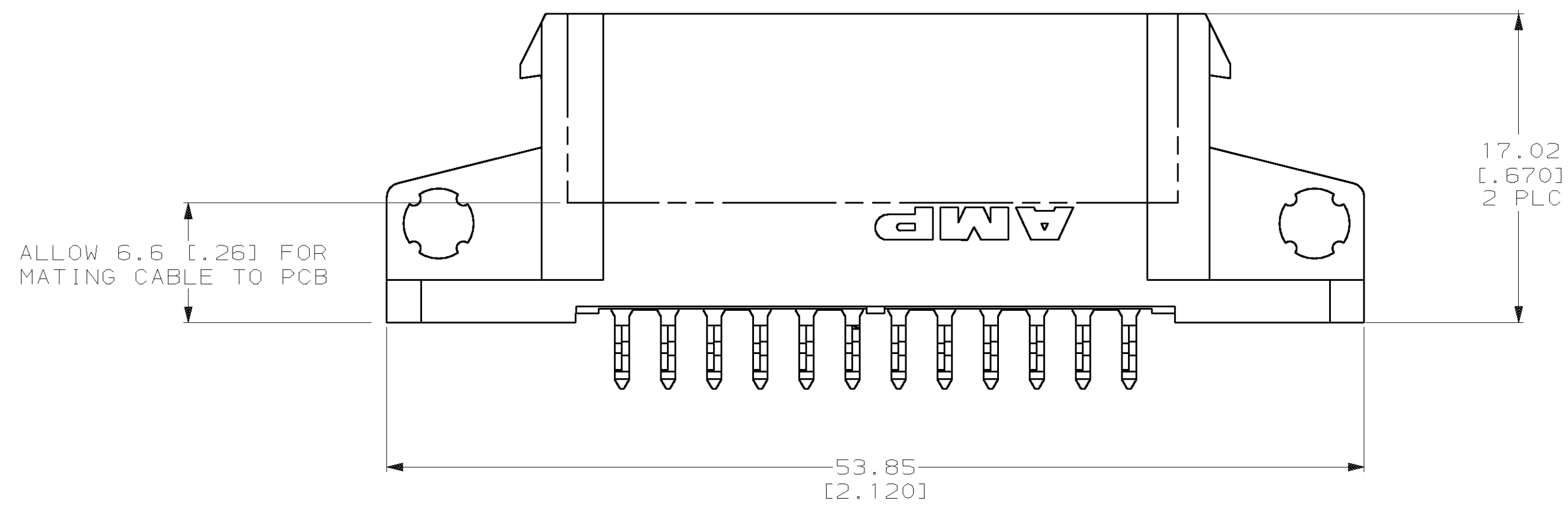


LOC		DIST		P		F		ZONE		LTR		REVISIONS		DATE	APPD
CH	1												DESCRIPTION	230C198	JEL
													ECN 0B20-1422-98		

△ HOLE DIAMETER AFTER PLATING.  
 △ FOR 2.36 [.093] AND THICKER PCB'S.



$\varnothing 1.02 \pm 0.08$   
 [.040 ±.003]  
 △ 12 PLC

$\varnothing 0.05$  [M] A [M] B [M]  
 [.002]

$\varnothing 3.18 \pm 0.08$   
 [.125 ±.003]  
 2 PLC

$\varnothing 0.08$  [M]  
 [.003]  
 -B-

CLEARANCE HOLE FOR 4-40 SCREW  
 OR TOP LOADING EYELET  
 AMP PART NO. 748572-2

RECOMMENDED PC BOARD LAYOUT  
 2.54 [.100] CENTERLINES

DESCRIPTION		PART NO	
DO NOT SCALE PRINT. UNLESS SPECIFIED DIMENSIONS IN mm [INCHES]		765271-1	
TOLERANCES ON:		AMP INCORPORATED Harrisburg, Pa. 17105	
2 PLC DEC ±0.25 [.01]	3 PLC DEC ±0.13 [.005]	NAME	
ANGLES ± -		AMPOWER Wave Crimp System* ACTION PIN* HDR ASSY, VERT 2.54 [.100"] CENTERLINES	
MATERIAL	HOUSING: POLYESTER CONTACT: COPPER ALLOY	DR 07-09-91 D. BABOW	APPD 07-10-91 DEP
FINISH	SILVER ON MATING END, TIN-LEAD ON SOLDER TAILS, ALL OVER NICKEL.	CHK 07-10-91 RAJ	APPD 07-10-91 JEL
SIZE	CAGE CODE	PRODUCT SPEC	108-1410
D	00779	APPLICATION SPEC	114-49005
SCALE	4:1	DRAWING NO	765271
WEIGHT	-	SHEET	1 OF 1

THIS DRAWING IS A CONTROLLED DOCUMENT FOR AMP INCORPORATED. IT IS SUBJECT TO CHANGE AND THE CONTROLLING ENGINEERING ORGANIZATION SHOULD BE CONTACTED FOR THE LATEST REVISION.

## X-ON Electronics

Largest Supplier of Electrical and Electronic Components

*Click to view similar products for [Power to the Board](#) category:*

*Click to view products by [TE Connectivity](#) manufacturer:*

Other Similar products are found below :

[10131318-08512GRLF](#) [6450171-4](#) [6450552-7](#) [6600323-8](#) [6643429-1](#) [6646040-2](#) [6651939-1](#) [6766604-1](#) [120959-1](#) [1393557-2](#) [1393532-2](#)  
[1393532-3](#) [1393532-4](#) [1393557-1](#) [1600812-5](#) [1-6450861-2](#) [1645595-1](#) [1743490-1](#) [1744132-7](#) [1761122-1](#) [1766169-1](#) [1766250-1](#) [18362](#)  
[1892109-1](#) [1-967627-6](#) [2226808-1](#) [2-6450860-5](#) [2-6450860-6](#) [2-6450870-0](#) [93003-0502](#) [953552-1](#) [1-6450161-4](#) [1-6450850-6](#) [1645526-2](#) [1-](#)  
[6600130-0](#) [1743419-1](#) [1766150-1](#) [2005243-2](#) [211110-1](#) [2-6600130-2](#) [TE34-12-16P-F0](#) [51700-10201602AALF](#) [5-6450830-6](#) [5646956-4](#)  
[36662-0005](#) [40585-3000](#) [4-6450830-9](#) [4-6600333-3](#) [51142-0214](#) [10125416-4050LF](#)