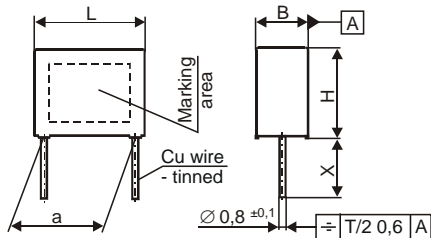


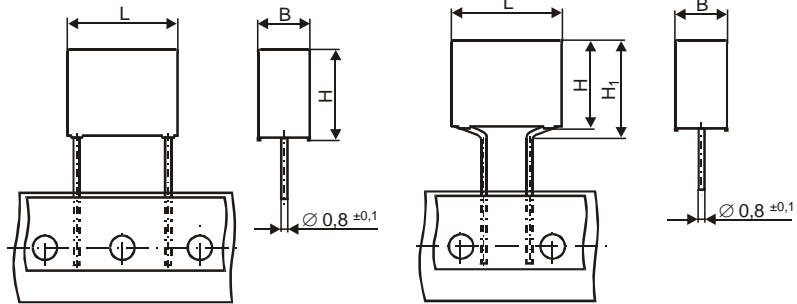
WXP

INTERFERENCE SUPPRESSION CAPACITORS OF CLASS X2 / 300VAC

WXP – version 00, 01



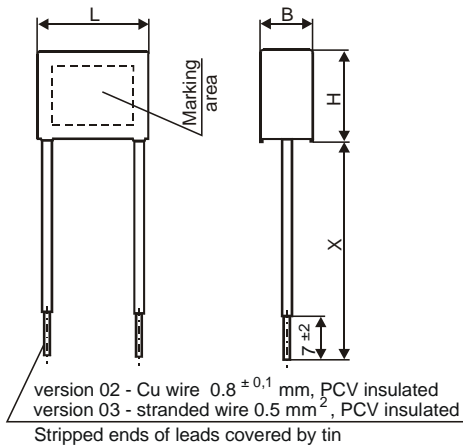
Taped



Lead spacing of 15.0 mm
– the pitch of holes on carrier tape
12.7 mm

Lead spacing of 15.0 mm crimped
to the lead spacing of 7.5 mm
– the pitch of holes on carrier tape
15.0 mm

WXP – version 02,03



Standard lead lengths

X = 6 ± 1 mm for version 00

X = 35 ± 5 mm for version 01; 02; 03

APPLICATION

The WXP interference suppression capacitors of class X2 are designed to attenuate RFI signals in electronic / electrical equipment supplied with AC voltage value not exceeding the rated voltage with frequency 50/60 Hz.

CONSTRUCTION

Non-inductive metallized polypropylene winding encapsulated in self-extinguishing material meeting the requirements of UL 94 V-0.

REQUIREMENTS

The WXP capacitors meet the requirements of EN 60384-14 standard for class X2.

MIFLEX S.A.

ZAKŁADY PODZESPOŁÓW RADIOWYCH
99-300 KUTNO, UL. GRUNWALDZKA 3, POLAND

Tel.: (48) (24) 355 11 00-02

Fax: (48) (24) 355 11 88

E-mail: miflex@miflex.com.pl


page 1
pages 2

Revision date: 06.02.2008

INTERFERENCE SUPPRESSION CAPACITORS OF CLASS X2 / 300VAC

TECHNICAL DATA

- Rated voltage – 300 Vac 50/60 Hz
- Dissipation factor – ≤ 0.0010 at $f = 1$ kHz for $C_R > 1.0 \mu\text{F}$
 – ≤ 0.0010 at $f = 10$ kHz for $C_R \leq 0.1 \mu\text{F}$
 – ≤ 0.0050 at $f = 10$ kHz for $0.1 \mu\text{F} < C_R \leq 1.0 \mu\text{F}$
- Insulation resistance – $\geq 30\,000 \text{ M}\Omega$ for $C_R \leq 0.33 \mu\text{F}$
 – $\geq 10\,000 \text{ M}\Omega \times \mu\text{F}$ for $C_R > 0.33 \mu\text{F}$
- Production voltage test – The 100 % screening factory test is carried out at 2150 VDC per 1 sec. All electrical characteristics are checked after the test.
- Voltage change rate [du/dt] – 100 V/ μs
- Climatic category – 40/100/56/C
- Standard – WT-04/MIFLEX/WXP

Code	Version	Rated capacitance	Rated voltage	Dimensions					Safety approvals
				L $\pm 0,3$	H $\pm 0,3$	H ₁ max	B $\pm 0,3$	a	
–	–	μF	VAC	mm	mm	mm	mm	mm	EN 60384-14
WXP-103 □	00; 01; 02; 03	0,010	300	18,0	10,5	12,5	5,5	15,0 $\pm 0,5$	•
WXP-153 □		0,015							•
WXP-223 □		0,022							•
WXP-333 □		0,033							•
WXP-473 □		0,047							•
WXP-683 □		0,068							•
WXP-104 □		0,10		26,5	15,5	–	7,5	22,5 $\pm 0,7$	•
WXP-154 □		0,15							•
WXP-224 □		0,22							•
WXP-334 □		0,33		31,5	20,5	–	11,5	27,5 $\pm 0,7$	•
WXP-474 □		0,47							•
WXP-684 □		0,68		41,5	23,5	–	13,5	37,5 $\pm 0,7$	•
WXP-105 □		1,0							•
WXP-155 □		1,5		33,0	28,5	–	16,0	37,5 $\pm 0,7$	•
WXP-225 □		2,2							•

□ – Capacitance tolerance:
 K = ± 10 %; M = ± 20 %

Approvals in use = •

X-ON Electronics

Largest Supplier of Electrical and Electronic Components

Click to view similar products for [Film Capacitors](#) category:

Click to view products by [Miflex](#) manufacturer:

Other Similar products are found below :

[F339X134748MIP2T0](#) [F450KG153J250ALH0J](#) [750-1018](#) [FKP1-1500160010P15](#) [FKP1R031007D00JYSD](#) [FKP1R031507E00JYSD](#)
[FKP1U024707E00KYSD](#) [82DC4100CK60J](#) [82EC1100DQ50K](#) [PFR5101J100J11L16.5TA18](#) [PME261JB5220KR19T0](#) [A451GK223M040A](#)
[A561ED221M450A](#) [QXJ2E474KTPT](#) [QXL2B333KTPT](#) [R49AN347000A1K](#) [EEC2G505HQA406](#) [B25668A6676A375](#) [B25673A4282E140](#)
[BFC233868148](#) [BFC2370GC222](#) [C3B2AD44400B20K](#) [C4ASWBU3220A3EK](#) [CB027C0473J--](#) [CB177I0184J--](#) [CB182K0184J--](#) [23PW210](#)
[950CQW5H-F](#) [SBDC3470AA10J](#) [SCD105K122A3-22](#) [2N3155](#) [A571EH331M450A](#) [FKP1-2202KV5P15](#) [FKS3-680040010P10](#)
[QXL2E473KTPT](#) [445450-1](#) [B25669A3996J375](#) [46KI322000M1M](#) [46KR415050M1K](#) [4BSNBX4100ZBFJ](#) [MKP383510063JKP2T0](#)
[MKPY2-.02230020P15](#) [MKT 1813-368-015](#) [4055292001](#) [46KN410000N1K](#) [EEC2E106HQA405](#) [EEC2G205HQA402](#) [EEC2G805HQA415](#)
[P409CP224M250AH470](#) [82EC2150DQ50K](#)