

# Common Mode Choke Coils(Line Filters) for AC Power Supply

## Compact and Separable Bobbin Type UF Series

Conformity to RoHS Directive

TDK common mode choke coils(line filters) are used in a wide range of prevention of electromagnetic interference(EMI) and radio frequency interference(RFI) from power supply lines and for prevention of multifunctioning of products such as measuring equipment and system equipment.

### FEATURES

- Wide range of selection.
- High impedance at applicable frequency.
- High self-resonant frequency.

### PRODUCT IDENTIFICATION

UF □□□□ V - A □□□Y □R□ - 01  
 (1) (2) (3) (4) (5) (6) (7)

- (1) Core shape  
UF: U-type core
- (2) Dimensional code  
Length×Height
- (3) External shape code  
V: Vertical type H: Horizontal type
- (4) High  $\mu$  material
- (5) Inductance value  
Example) 133:13mH
- (6) Rated current value  
Example) 3R0:3.0A
- (7) Product management number

### SELECTION CHART

Series	Configuration	Type	Inductance value min.	Rated current (A)	Handling power* $L \times I^2$ (mH×A <sup>2</sup> )	Weight (g)typ.	Minimum package quantity (pieces/box)
UF	Two sections bobbin types	UF1717V	0.2 to 10mH	0.25 to 1.6	0.6	3.5	640
		UF1717H	0.2 to 10mH	0.25 to 1.6	0.6	3.5	480
	Two sections bobbin types (For high frequency)	UF1717V	10 to 60 $\mu$ H	1 to 3	0.08	3	640
		UF1815SG	50 to 350 $\mu$ H	1 to 5	1.2	4.6	1280

\* Handling power=(Inductance value)×(Current)<sup>2</sup>. It is possible to design within the range below this value.  
 [Example] The coil for 2A can make even the inductance of 2.5mH or less a product for handling power 10.

• Conformity to RoHS Directive: This means that, in conformity with EU Directive 2002/95/EC, lead, cadmium, mercury, hexavalent chromium, and specific bromine-based flame retardants, PBB and PBDE, have not been used, except for exempted applications.

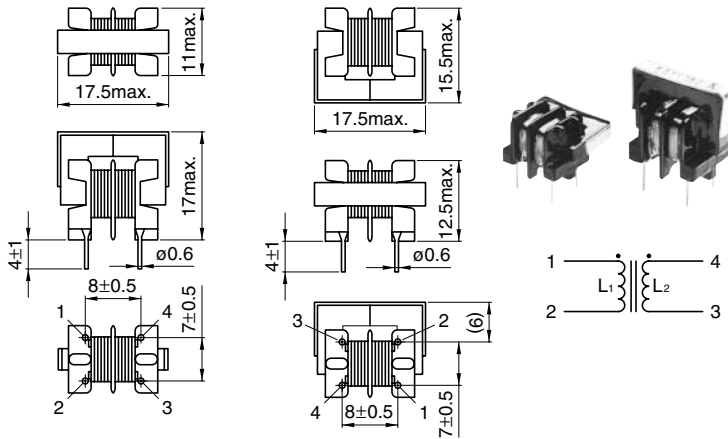
• All specifications are subject to change without notice.

## Two Sections Bobbin Type UF Series

### FEATURES

- This series is compact in size due to its use of high permeability ferrite core.

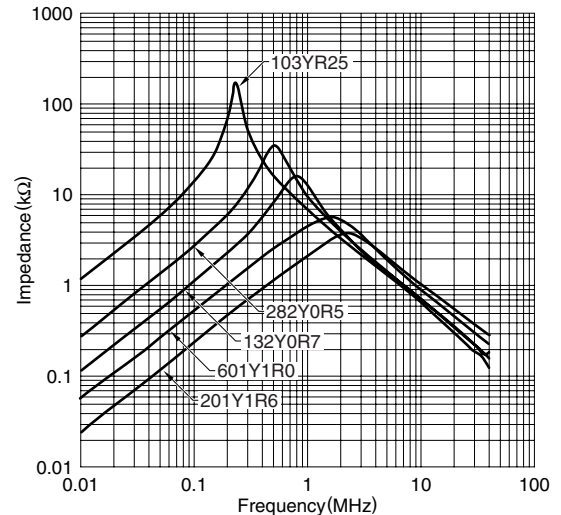
### UF1717V/UF1717H(2 SEPARABLE BOBBIN) TYPES SHAPES AND DIMENSIONS/CIRCUIT DIAGRAM



Weight: 3.5g typ.

Recommended hole diameter:  $\phi 1.1$   
Dimensions in mm

### TYPICAL ELECTRICAL CHARACTERISTICS IMPEDANCE vs. FREQUENCY CHARACTERISTICS



### ELECTRICAL CHARACTERISTICS (STANDARD LINE UP)

Part No.	Inductance (mH)min.	DC resistance ( $\Omega$ )max.	Rated current Iac(A)max.
UF1717V-103YR25-02	10	3.5	0.25
UF1717V-702Y0R3-01	7	2.5	0.3
UF1717V-342Y0R4-01	3.4	1.3	0.4
UF1717V-282Y0R5-01	2.8	1	0.5
UF1717V-152Y0R6-01	1.5	0.55	0.6
UF1717V-132Y0R7-01	1.3	0.5	0.7
UF1717V-601Y1R0-01	0.6	0.2	1
UF1717V-201Y1R6-01	0.2	0.1	1.6
UF1717H-103YR25-01	10	3.5	0.25
UF1717H-702Y0R3-01	7	2.5	0.3
UF1717H-342Y0R4-01	3.4	1.3	0.4
UF1717H-282Y0R5-01	2.8	1	0.5
UF1717H-152Y0R6-01	1.5	0.55	0.6
UF1717H-132Y0R7-01	1.3	0.5	0.7
UF1717H-601Y1R0-01	0.6	0.2	1
UF1717H-201Y1R6-01	0.2	0.1	1.6

- Measuring equipment of inductance value:  
LCR meter(HP4261A, HP4263B or equivalent)[f=1kHz]

### PACKAGING QUANTITIES

UF1717V	640pieces/box
UF1717H	480pieces/box

### RATINGS

Item	Standard value	Conditions
Rated voltage(V)	80 to 280	50Hz/60Hz
Dielectric withstanding voltage(V)	2000	Between each winding for 1 minute
Insulation resistance (M $\Omega$ )	100min.	Between each winding for DC.500V
Temperature rise( $^{\circ}$ C)	45max.	With line resistance
Operating temperature range( $^{\circ}$ C)	-20 to +120	Including self-temperature rise
Storage temperature range( $^{\circ}$ C)	-20 to +85	
Resistance to soldering temperature*1	260 $\pm$ 5 $^{\circ}$ C, 10 $\pm$ 1sec	Solder bath method
	350 $\pm$ 5 $^{\circ}$ C, 5sec max.	Soldering iron method
Applicable safety standard*2	Electrical Appliance and Material Safety Law ("DENAN"), IEC60065, UL6500, CSA C22.2	

\*1 Pb free solder(Sn-3Ag-0.5Cu)

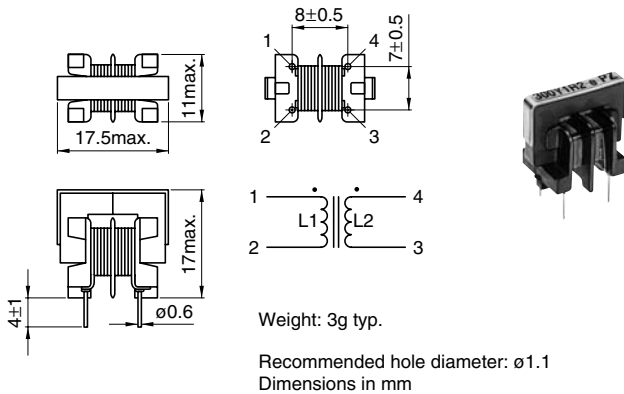
\*2 However, this product is not recognized by each regulations.

## Two Sections Bobbin Type(For High Frequency) UF Series

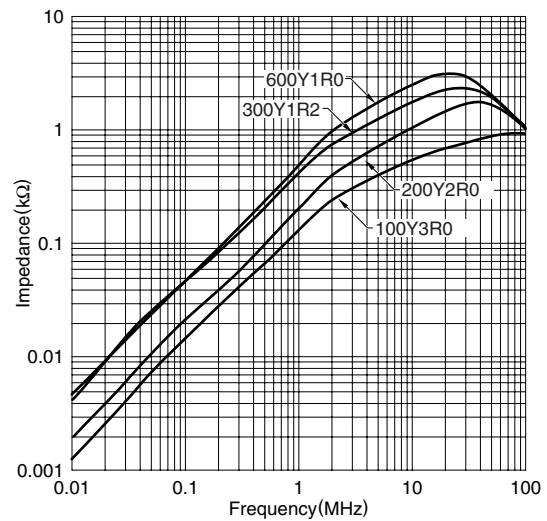
### FEATURES

- This series is designed to reduce stray capacity between windings by using a single-layer coil construction on Ni-Zn ferrite cores, which offer excellent high frequency characteristics.
- This series provides excellent noise suppression for high frequency ranges including the FM band.
- Since the windings are divided into two sections, this filter can also be used as a signal line with excellent withstanding voltage.

### UF1717V(2 SEPARABLE BOBBIN FOR HIGH FREQUENCY) TYPE SHAPES AND DIMENSIONS/CIRCUIT DIAGRAM



### TYPICAL ELECTRICAL CHARACTERISTICS IMPEDANCE vs. FREQUENCY CHARACTERISTICS



### ELECTRICAL CHARACTERISTICS (STANDARD LINE UP)

Part No.	Inductance ( $\mu$ H)min.	DC resistance ( $m\Omega$ )max.	Rated current Iac(A)max.
UF1717V-600Y1R0-03	60	300	1
UF1717V-300Y1R2-03	30	150	1.2
UF1717V-200Y2R0-03	20	100	2
UF1717V-100Y3R0-03	10	50	3

- Measuring equipment of inductance value:  
LCR meter(HP4261A, HP4263B or equivalent)[f=1kHz]

### PACKAGING QUANTITIES

UF1717V	640pieces/box
---------	---------------

### RATINGS

Item	Standard value	Conditions
Rated voltage(V)	80 to 280	50Hz/60Hz
Dielectric withstanding voltage(V)	2000	Between each winding for 1 minute
Insulation resistance ( $M\Omega$ )	100min.	Between each winding for DC.500V
Temperature rise( $^{\circ}$ C)	45max.	With line resistance
Operating temperature range( $^{\circ}$ C)	-20 to +120	Including self-temperature rise
Storage temperature range( $^{\circ}$ C)	-20 to +85	
Resistance to soldering temperature*1	260 $\pm$ 5 $^{\circ}$ C, 10 $\pm$ 1sec	Solder bath method
	350 $\pm$ 5 $^{\circ}$ C, 5sec max.	Soldering iron method
Applicable safety standard*2	Electrical Appliance and Material Safety Law ("DENAN"), IEC60065, UL6500, CSA C22.2	

\*1 Pb free solder(Sn-3Ag-0.5Cu)

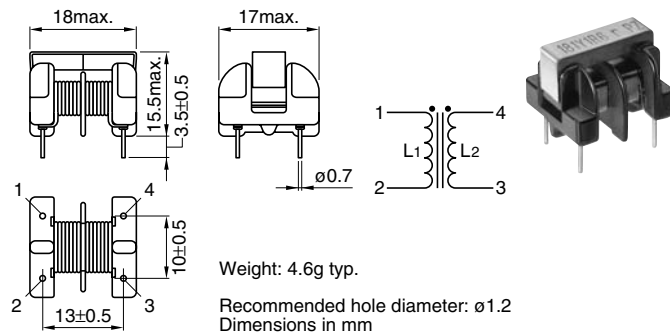
\*2 However, this product is not recognized by each regulations.

## Two Sections Bobbin Type(For High Frequency) UF Series

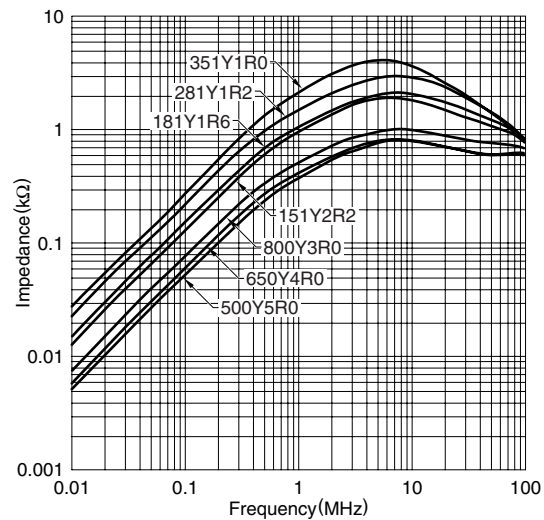
### FEATURES

- This series uses a Mn-Zn ferrite core and yet it offers excellent noise suppression into the high frequencies due to its low distributed inductance construction based on a single layer winding.
- This compact filter's inductance has been improved by as much as 50% compared to existing products of comparable size while its high profile has been reduced by approximately 30%.

### UF1815SG(2 SEPARABLE BOBBIN FOR HIGH FREQUENCY) TYPE SHAPES AND DIMENSIONS/CIRCUIT DIAGRAM



### TYPICAL ELECTRICAL CHARACTERISTICS IMPEDANCE vs. FREQUENCY CHARACTERISTICS



### ELECTRICAL CHARACTERISTICS (STANDARD LINE UP)

Part No.	Inductance ( $\mu$ H)min.	DC resistance (m $\Omega$ )max.	Rated current Iac(A)max.
UF1815SG-351Y1R0-01	350	300	1
UF1815SG-281Y1R2-01	280	250	1.2
UF1815SG-181Y1R6-01	180	130	1.6
UF1815SG-151Y2R2-01	150	100	2.2
UF1815SG-800Y3R0-01	80	50	3
UF1815SG-650Y4R0-01	65	30	4
UF1815SG-500Y5R0-01	50	25	5

- Measuring equipment of inductance value:  
LCR meter(HP4261A, HP4263B or equivalent)[f]=1kHz]

### PACKAGING QUANTITIES

UF1815SG	1280pieces/box
----------	----------------

### RATINGS

Item	Standard value	Conditions
Rated voltage(V)	80 to 280	50Hz/60Hz
Dielectric withstanding voltage(V)	2000	Between each winding for 1 minute
Insulation resistance (M $\Omega$ )	100min.	Between each winding for DC.500V
Temperature rise( $^{\circ}$ C)	45max.	With line resistance
Operating temperature range( $^{\circ}$ C)	-20 to +120	Including self-temperature rise
Storage temperature range( $^{\circ}$ C)	-20 to +85	
Resistance to soldering temperature*1	260 $\pm$ 5 $^{\circ}$ C, 10 $\pm$ 1sec	Solder bath method
Applicable safety standard*2	350 $\pm$ 5 $^{\circ}$ C, 5sec max.	Soldering iron method
	Electrical Appliance and Material Safety Law ("DENAN"), IEC60065, UL6500, CSA C22.2	

\*1 Pb free solder(Sn-3Ag-0.5Cu)

\*2 However, this product is not recognized by each regulations.

## X-ON Electronics

Largest Supplier of Electrical and Electronic Components

*Click to view similar products for [Common Mode Filters / Chokes](#) category:*

*Click to view products by [TDK](#) manufacturer:*

Other Similar products are found below :

[74279408](#) [8109-RC](#) [8121-RC](#) [PE-62911NL](#) [PE-64683](#) [RD5122-6-9M6](#) [RD6137-6-7M5](#) [RD8147-16-3M0](#) [B82722A2801N020](#)  
[B82723A2802N001](#) [B82723J2802N001](#) [B82726S2183N020](#) [T8114NLT](#) [RD5122-10-6M0](#) [RD7147-25-0M7](#) [B82724J2502U040](#)  
[B82725S2103N004](#) [B82731M2401A033](#) [B82792C0506N365](#) [IND-0110](#) [CMC-03](#) [8117-RC](#) [PE-67531](#) [B82732R2601B30](#)  
[B82794C0686N465](#) [2752041447](#) [2752045447](#) [CMS3-11-R](#) [23Z109SMNL-T](#) [009968H](#) [014660H](#) [057966E](#) [CM9900-224](#) [CPFC74NP-](#)  
[PS01H2A30](#) [CPFC805NP-100M05](#) [EXC-24CD121U](#) [EXC-24CD201U](#) [EXC-24CD600U](#) [B82723A2602N001](#) [B82730U3162A020](#)  
[B82730U3951A020](#) [DKFP-6248-0102](#) [DKFP-6248-02D5](#) [DKFP-6248-D504](#) [7448640395](#) [ELF-14M080E](#) [ELF-18D214](#) [ELF-18D217](#) [ELF-](#)  
[18D218](#) [ELF-18D227F](#)