

SUB-MINI & MINIATURE PUSHBUTTONS



Fig. 1



Fig. 2



Fig. 3



Fig. 4



Fig. 5



Fig. 6



Fig. 7



Fig. 8



Fig. 9



Fig. 10



Fig. 11



Fig. 12



Fig. 13

| Retail Part No. | Bulk Part No. | Fig. No. | Circuit Function | Poles/Throws | Amps 125 VAC | Amps 250 VAC | Bushing Length | Actuator Length | Actuator Color | Actuator Style | Terminal Type | Mounting Hole | Hardware | Spec. Drawing Page No. |
|-----------------|---------------|----------|------------------|--------------|--------------|--------------|----------------|-----------------|----------------|----------------|---------------|---------------|-------------|------------------------|
| 35-402 | 35-402-BU | 1 | On (Off) | NC SPST | 1/4* | | 0.125 | 0.175 | Black | PI | Sd Lug | 0.172 | N | 289-A |
| 35-3459 | 35-3459-BU | 2 | Off (On) | NO SPST | 1/4† | | 0.225 | 0.240 | White | Pin | Sd Eyelet | 0.250 | N | 289-B |
| 35-400 | 35-400-BU | 3 | Off (On) | NO SPST | 1/2 | 1/4 | 0.125 | 0.175 | Black | PI | Sd Lug | 0.172 | N | 289-C |
| 35-401 | 35-401-BU | 4 | Off (On) | NO SPST | 1 | | 0.276 | 0.091 | Black | RC | Sd Eyelet | 0.281 | N, KN | 289-D |
| 35-407 | 35-407-BU | 5 | Off (On) | NO SPST | 1 | 1/2 | | 0.100 | White | SqB | QC .187"/Sd | **** | | 289-E |
| 35-410 | 35-410-BU | 4 | Off (On) | NO SPST | 1 | | 0.276 | 0.091 | Red | RC | Sd Eyelet | 0.281 | N, KN | 289-D |
| 35-415 | 35-415-BU | 5 | Off (On) | NO SPST | 1 | 1/2 | | 0.100 | Red | SqB | QC .187"/Sd | **** | | 289-E |
| 35-450 | 35-450-BU | 6 | On (On) | SPDT | 1* | | 0.250 | 0.218 | White | Pin | Sd Eyelet | 0.250 | 2 N, LW, LR | 289-F |
| 35-451 | 35-451-BU | 7 | On (On) | DPDT | 1* | | 0.250 | 0.218 | White | Pin | Sd Eyelet | 0.250 | 2 N, LW, LR | 289-F |
| 35-404 | 35-404-BU | 8 | On (On) | SPDT | 3 | | 0.335 | 0.315 | Black | RC | Sd Eyelet | 0.250 | N, KN, W | 289-G |
| 35-405 | 35-405-BU | 9 | On (On) | DPDT | 3 | | 0.335 | 0.315 | Black | RC | Sd Eyelet | 0.250 | N, KN, W | 289-J |
| 35-406 | 35-406-BU | 10 | On (Off) | SPST | 3 | | 0.315 | 0.315 | Black | RC | Sd Eyelet | 0.315 | N, W | 289-H |
| 35-408 | 35-408-BU | 10 | On (On) | SPDT | 3 | | 0.315 | 0.315 | Black | RC | Sd Eyelet | 0.315 | N, W | 289-H |
| 35-409 | 35-409-BU | 10 | Off (On) | NO SPST | 3 | | 0.315 | 0.315 | Black | RC | Sd Eyelet | 0.315 | N, W | 289-H |
| 35-411 | 35-411-BU | 11 | Off (On) | NO SPST | 3 | 1 | 0.295 | 0.157 | Black | RB | Sd Eyelet | 0.400 | N, W | 289-I |
| 35-412 | 35-412-BU | 12 | Off (On) | NO SPST | 3 | 1 | 0.295 | 0.157 | Black | SqB | Sd Eyelet | 0.400 | N, W | 289-I |
| 35-413 | 35-413-BU | 13 | Off (On) | NO SPST | 3 | 1 | 0.295 | 0.157 | Black | RqB | Sd Eyelet | 0.400 | N, W | 289-I |
| 35-417 | 35-417-BU | 13 | Off (On) | NO SPST | 3 | 1 | 0.295 | 0.157 | Red | RqB | Sd Eyelet | 0.400 | N, W | 289-I |
| 35-425 | 35-425-BU | 9 | On (On) | DPDT | 3 | | 0.335 | 0.315 | Blue | RC | Sd Eyelet | 0.250 | N, KN, W | 289-J |

Notes: (On)/(Off)=Momentary On/Off
 *Rated@120VAC/28VDC
 ****0.500 x 0.437
 †=Rated @125VAC/DC

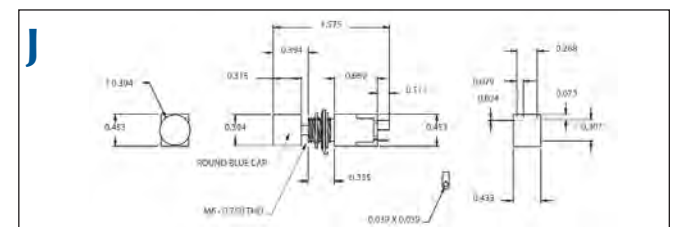
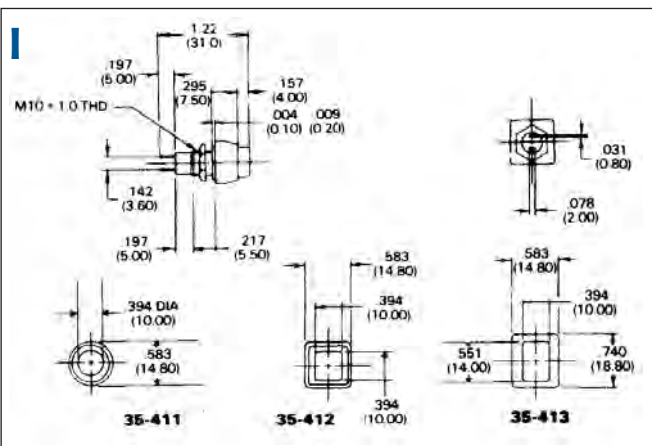
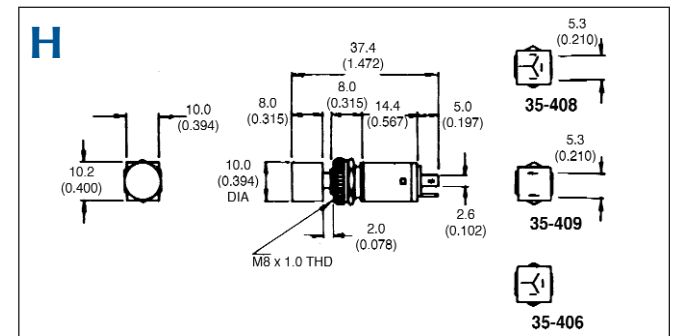
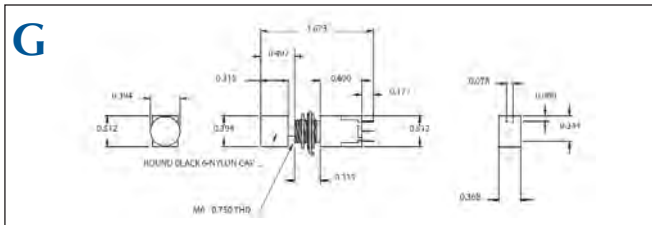
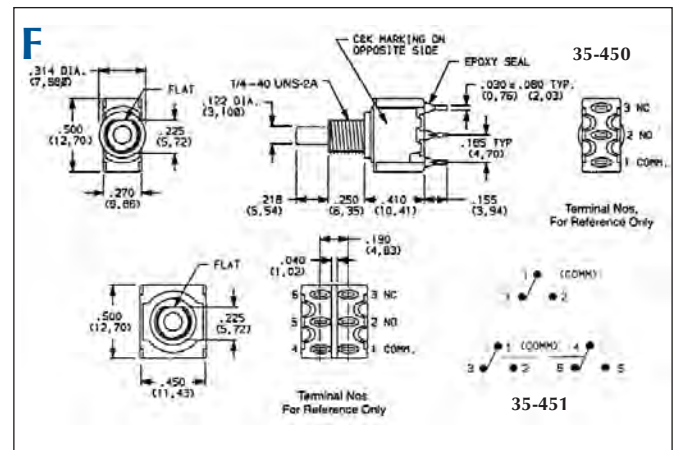
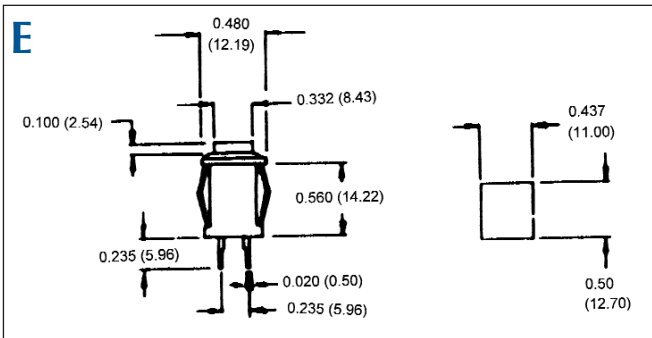
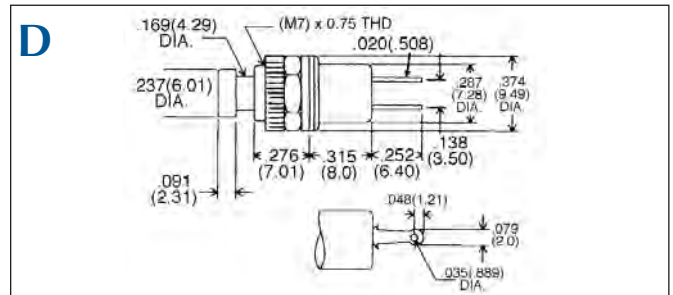
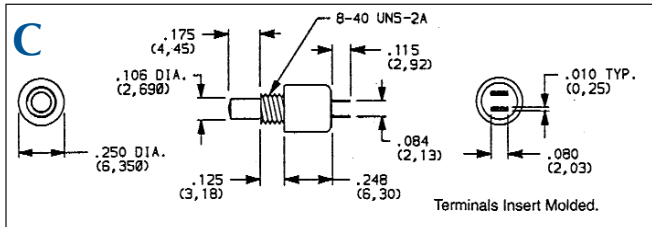
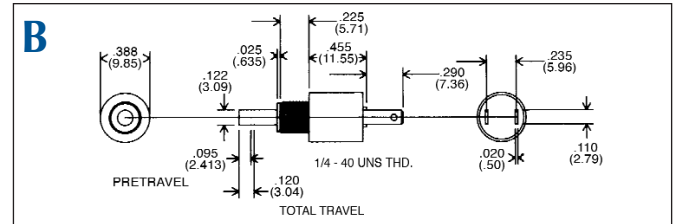
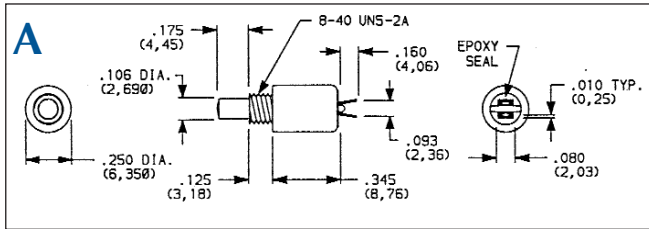
KN=Knurled Nut
 LR=Lock Ring
 LW=Lock Washer
 N=Nut(s)
 NC=Normally Closed
 NO=Normally Open
 N/R=Not Rated

QC=Quick Connect
 RC=Round Cap
 RqB=Rectangle Button

PI=Plunger
 Sd=Solder
 SqB=Square Button
 W=Washer

Note: All figures are for illustration purpose only, and the number/type of terminals may vary.

MINIATURE PUSHBUTTONS (Cont.)



Switches

MINIATURE PUSHBUTTONS (Cont.)



| Retail Part No. | Bulk Part No. | Fig. No. | Circuit Function | Poles/Throws | Amps 125 VAC | 30 Watts | Bushing Length | Actuator Length | Actuator Color | Actuator Style | Terminal Type | Mounting Hole | Hardware | Spec. Drawing Page No. |
|-----------------|---------------|----------|------------------|--------------|--------------|----------|----------------|-----------------|----------------|----------------|---------------|---------------|----------|------------------------|
| 35-416 | 35-416-BU | 1 | On (Off) | SPDT | N/R | 250mA | 0.391 | 0.110 | Red | RB | Sd Eyelet | 0.469 | LN, LW | 291-A |
| 35-418 | 35-418-BU | 2 | On (Off) | SPDT | N/R | 250mA | 0.391 | 0.110 | Black | RB | Sd Eyelet | 0.469 | LN, LW | 291-A |
| 35-3460 | 35-3460-BU | 3 | On Off | SPST | 6†† | | 1.100 | 0.360 | Brass | CB | 6" WL | 0.375 | N, KN | 291-B |
| 35-852 | 35-852-BU | 4 | On Off | SPST | 6†† | | 0.375 | 0.344 | Black | CB | 6" WL | 0.375 | N, KN | 291-C |

| Retail Part No. | Bulk Part No. | Fig. No. | Circuit Function | Poles/Throws | Amps 125 VAC | Amps 250 VAC | Bushing Length | Actuator Length | Actuator Color | Actuator Style | Terminal Type | Mounting Hole | Hardware | Spec. Drawing Page No. |
|-----------------|---------------|----------|------------------|--------------|--------------|--------------|----------------|-----------------|----------------|----------------|---------------|---------------|----------|------------------------|
| 35-491 | 35-491-BU | 5 | On On | DPDT | 0.50** | 0.20 | | 0.406 | Black | RmB | PCB/Sd Eye | | N, LN | 291-D |

| Retail Part No. | Bulk Part No. | Fig. No. | Circuit Function | Poles/Throws | A 125/250 VAC | 30 VAC | Bushing Length | Actuator Length | Actuator Color | Actuator Style | Terminal Type | Mounting Hole | Hardware | Spec. Drawing Page No. |
|-----------------|---------------|----------|------------------|--------------|---------------|--------|----------------|-----------------|----------------|----------------|---------------|---------------|----------|------------------------|
| 35-475 | 35-475-BU | 6 | (On) Off | NO SPST | 0.50 | 0.50 | 0.260 | 0.500 | Black | RB | ††† | 0.500 | N, LN | 291-E |
| 35-476 | 35-476-BU | 7 | Off (On) | NO SPST | 0.50 | | 0.260 | 0.500 | Red | RB | ††† | 0.500 | N, LN | 291-E |
| 35-3471 | 35-3471-BU | 8 | On (Off) | NC SPST | *** | | 0.374 | 0.244 | White | RB | Sc | 0.500 | N, LW | 291-F |

Notes: (On)/(Off)=Momentary On/Off
 ††=3@250V AC
 †††=6.3mm Tab w/Eyelet
 **Rated@100VAC
 ***Rated 2Amps @120VAC, 1A 277 VAC

35-491 is momentary on if the pin is removed
 CB=Canopy Button
 KN=Knurled Nut
 LN=Lock Nut

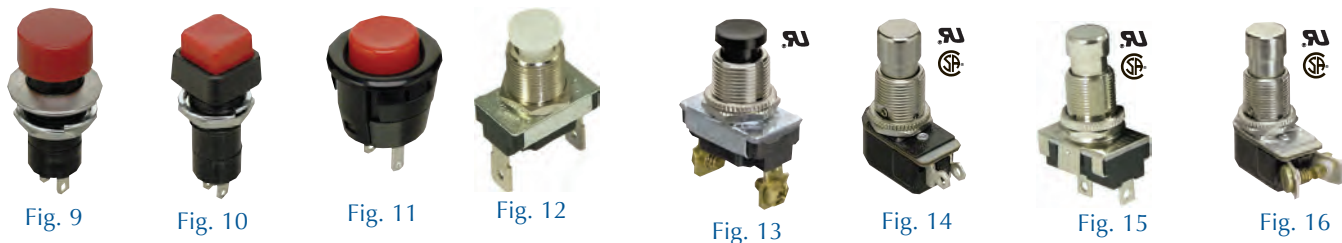
LW=Lock Washer
 N=Nut(s)
 NC=Normally Closed
 NO=Normally Open
 N/R=Not Rated

PCB=Printed Circuit Board
 RB=Round Button
 RmB=Removable Button

Sc=Screw
 Sd=Solder

STANDARD PUSHBUTTONS

Switches



| Retail Part No. | Bulk Part No. | Fig. No. | Circuit Function | Poles/Throws | Amps 125 VAC | Amps 250 VAC | Bushing Length | Actuator Length | Actuator Color/Material | Frame/Bezel | Terminal Type | Mount Hole | Hardware | Spec. Drawing Page No. |
|-----------------|---------------|----------|------------------|--------------|--------------|--------------|----------------|-----------------|-------------------------|--------------|---------------|------------|-----------|------------------------|
| 35-420 | 35-420-BU | 9 | Off (On) | NO SPST | | 3 | 0.276 | 0.354 | Red Plastic | Chrm. Ring | Sd Eyelet | 0.500 | N, W | 291-G |
| 35-421 | 35-421-BU | 10 | Off (On) | NO SPST | | 3 | 0.390 | 0.244 | Red Plastic | Black Square | Sd Eyelet | 0.500 | N, W | 291-H |
| 35-422 | 35-422-BU | 9 | On Off | SPST | | 3 | 0.276 | 0.354 | White Plastic | Chrm. Ring | Sd Eyelet | 0.500 | N, W | 291-G |
| 35-423 | 35-423-BU | 11 | Off (On) | NO SPST | 3 | N/R | Snap-in | 0.125 | Red Plastic | Black | Sd Eyelet | 0.687 | | 291-I |
| 35-3456 | 35-3456-BU | 12 | (On) Off | SPST | 6 | 3 | 0.500 | 0.212 | White | | Q.C. | 0.500 | N, KN | 291-J |
| 35-3457 | 35-3457-BU | 13 | Off (On) | NO SPST | 6** | 3** | 0.500 | 0.212 | Black Plastic | | Sc | 0.500 | N, KN, Sc | 291-J |
| 35-3458 | 35-3458-BU | 13 | (Off) On | NC SPST | *** | *** | 0.490 | 0.200 | Red Plastic | | Sc | 0.500 | N, KN, Sc | 291-K |
| 35-430 | 35-430-BU | 14 | Off (On) | NO SPST | 6 | 3 | 0.562 | 0.437 | Chrm. Metal | | Sd Eyelet | 0.500 | N, KN | 291-L |
| 35-432 | 35-432-BU | 14 | On (Off) | NC SPST | 6 | 3 | 0.562 | 0.437 | Chrm. Metal | | Sd Eyelet | 0.500 | N, KN | 291-L |
| 35-448 | 35-448-BU | 15 | On Off | SPST | 6 | 3 | 0.561 | 0.415 | Chrm. Metal | | Sd Eyelet | 0.500 | N, KN | 291-L |
| 35-449 | 35-449-BU | 16 | On Off | SPST | 6 | 3 | 0.561 | 0.437 | Chrm. Metal | | Sc | 0.500 | N, KN | 291-M |

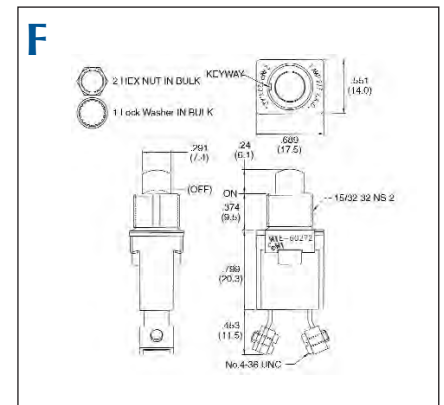
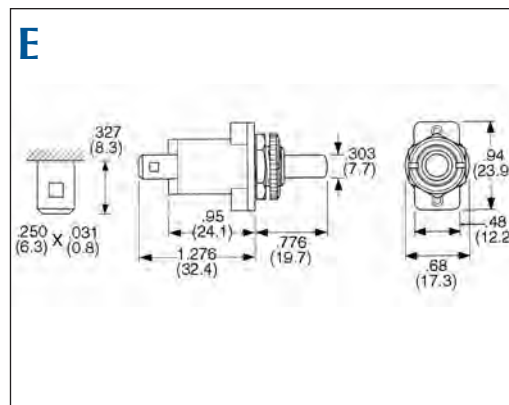
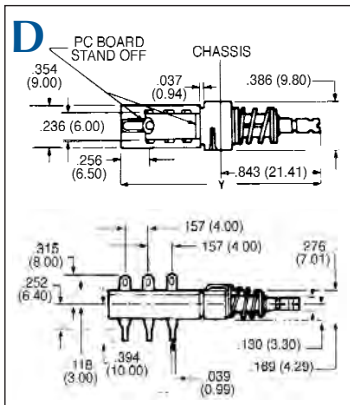
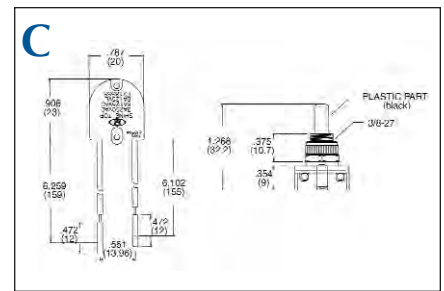
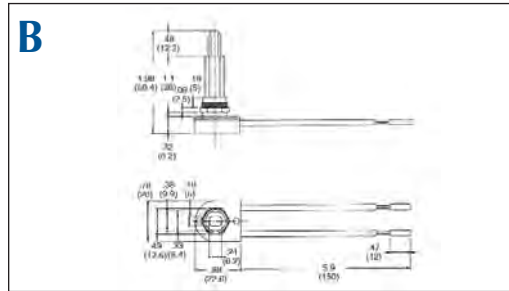
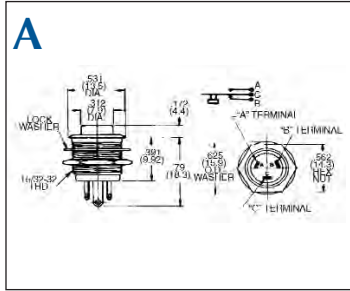
Notes: (On)/(Off)/(SPDT)=Momentary Action
 †=Rated 1/2 HP @250VDC
 **Rated 8Amps @125V DC, 4Amps @250V DC, 1/3 HP @125VAC;
 ***Rated 6Amps @120VAC/3Amps @240VAC
 ****Rated 3Amps @120VAC/1.5Amps @277VAC
 *****Rated 25/15Amps @6/12VDC

NC=Normally Closed
 NO=Normally Open
 N/R=Not Rated
 QC=Quick Connect
 Sc=Screw

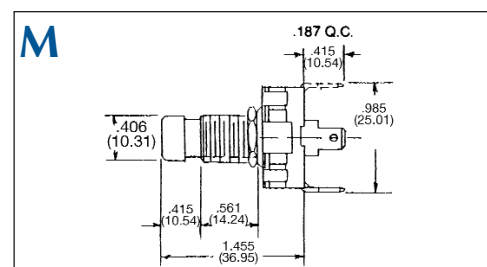
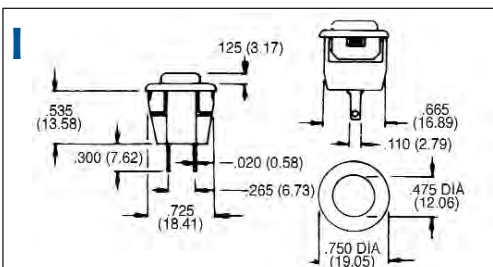
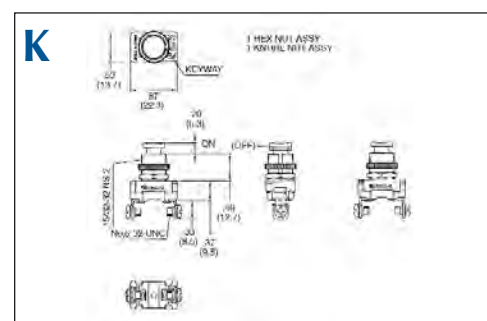
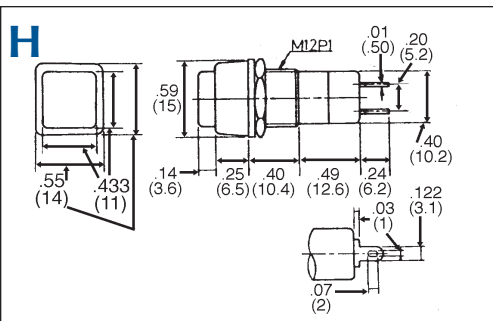
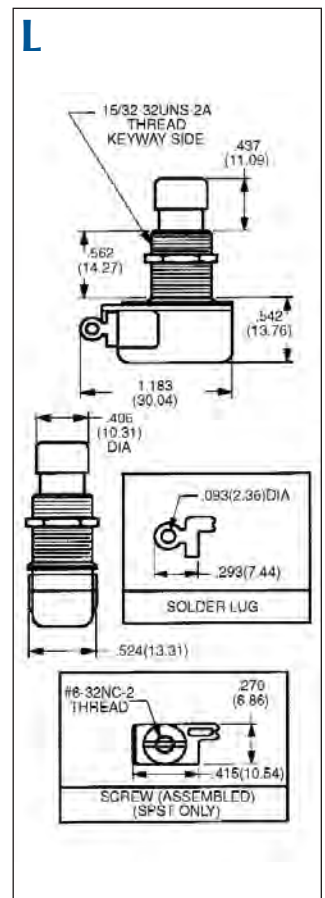
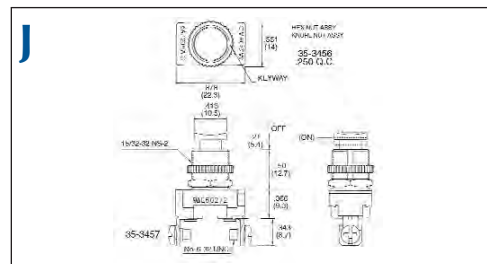
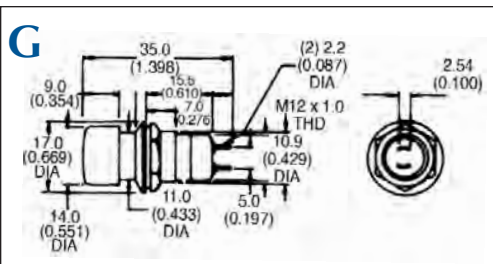
Sd=Solder
 W=Washer
 WL=Wire Lead

Note: All figures are for illustration purpose only, and the number/type of terminals may vary.

MINIATURE PUSHBUTTONS (Cont.)



STANDARD PUSHBUTTONS (Cont.)



Switches

STANDARD PUSHBUTTONS (Cont.)



| Retail Part No. | Bulk Part No. | Fig. No. | Circuit Function | Poles/Throws | Amps 125 VAC | Amps 250 VAC | Bushing Length | Actuator Length | Actuator Color/Material | Frame/Bezel | Terminal Type | Mount Hole | Hardware | Spec. Drawing Page No. |
|-----------------|---------------|----------|------------------|--------------|--------------|--------------|----------------|-----------------|-------------------------|--------------|---------------|------------|-----------|------------------------|
| 35-3454 | 35-3454-BU | 1 | On Off | SPST†† | 10* | N/R | 0.561 | 0.410 | Chrm. Metal | | 6" WL | 0.500 | N, KN | 293-A |
| 35-473 | 35-473-BU | 2 | NO or NC | SPDT | 16† | 16† | 0.380 | 0.125 | Red Plastic | Black Shroud | QC .250" | 0.500 | N | 293-B |
| 35-458 | 35-458-BU | 3 | On Off | SPST | 15 | 10 | 0.562 | 0.238 | Chrm. Metal | | Sc | 0.500 | N, KN, Sc | 293-C |
| 35-3425 | 35-3425-BU | 4 | On Off | SPST | 15 | 10 | 0.561 | 0.415 | Chrm. Metal | | Sc | 0.500 | N, KN, Sc | 293-D |
| 35-3427 | 35-3427-BU | 4 | Off (On) | NO SPST | 15 | 10 | 0.561 | 0.415 | Chrm. Metal | | Sc | 0.500 | N, KN, Sc | 293-D |
| 35-3429 | 35-3429-BU | 4 | On (Off) | NC SPST | 15 | 10 | 0.561 | 0.415 | Chrm. Metal | | Sc | 0.500 | N, KN, Sc | 293-D |
| 35-3490 | 35-3490-BU | 4 | On On | SPDT | 15 | 10 | 0.561 | 0.415 | Chrm. Metal | | Sc | 0.500 | 2 N, Sc | 293-D |
| 35-455 | 35-455-BU | 5 | Off On | SPST | 16^ | 16 | Snap-in | 0.157 | Red Plastic | Black | QC .250"/Sd | 0.992 | | 293-E |
| 35-457 | 35-457-BU | 5 | Off (On) | NO SPST | 16^ | 16 | Snap-in | 0.157 | Red Plastic | Black | QC .250"/Sd | 0.992 | | 293-E |
| 35-459 | 35-459-BU | 5 | Off (On) | NO SPST | 16^ | 16 | Snap-in | 0.157 | Black Plastic | Black | QC .250"/Sd | 0.992 | | 293-E |
| 35-490 | 35-490-BU | 6 | On Off | DPDT†† | 8 | 6 | 0.730 | 0.312 | OrangeΔ | Black | PCB/Sd Lug | 0.530 | N, W | 293-F |
| 35-3484 | 35-3484-BU | 7 | Off (On) | NO SPST | **** | **** | 1.200 | 0.375 | Black Chrome | Black | Sc | 0.625 | N, W | 293-G |

Notes: (On)/(Off)/(SPDT)=Momentary Action
 *Rated 8Amps @ 125V DC, 4Amps @ 250V DC, 1/3 HP @ 125VAC;
 **Rated 6Amps @ 120VAC/3Amps @ 240VAC
 ***Rated 3Amps @ 120VAC/1.5Amps @ 277VAC
 ****Rated (25, 15) Amps @ (6, 12) VDC
 ^=1/2 HP @ 125VAC, 1 HP @ 250 VAC
 †=Rated 1/2 HP @ 125 VAC, 0.2A @ 250 VDC

††=Alternate Action
 Chrm.=Chrome
 HP=Horse Power
 35-490 comes with Nut and Washer Hardware
 35-490 pin can be removed to make momentary
 Δ=Mechanical Indicator, non-illuminated

NC=Normally Closed
 NO=Normally Open
 N/R=Not Rated
 QC=Quick Connect
 Sc=Screw

Sd=Solder
 W=Washer
 WL=Wire Lead
 KN=Knurled Nut
 N=Nut(s)

LIGHTED PUSHBUTTONS



| Retail Part No. | Bulk Part No. | Fig. No. | *Circuit Function | Poles/Throws | Amps 125 VAC | Amps 250 VAC | Amps 14 VDC | HP 125 VAC | Bushing Length | Actuator Length | Actuator Color | Actuator Style | Terminal Type | Mounting Hole | Spec Drawing Page No. |
|-----------------|---------------|----------|-------------------|--------------|--------------|--------------|-------------|------------|----------------|-----------------|----------------|----------------|---------------|---------------|-----------------------|
| 35-480 | 35-480-BU | 8^ | On Off | SPST | 10 | 10 | 10 | 1/4 | Snap-in | 0.360 | Red Lens | Square | QC .25"/Sd | 1.10 x 0.88 | 293-J |
| 35-481†† | | 8 | | | | | | | | | Red Lens | Square | | | 293-J |
| 35-482 | 35-482-BU | 8^ | On Off | SPST | 10 | 10 | 10 | 1/4 | Snap-in | 0.360 | Amber Lens | Square | QC .25"/Sd | 1.10 x 0.88 | 293-J |
| 35-484 | 35-484-BU | 8^ | On Off | SPST | 10 | 10 | 10 | 1/4 | Snap-in | 0.360 | Green Lens | Square | QC .25"/Sd | 1.10 x 0.88 | 293-J |
| 35-3412 | 35-3412-BU | 9 | (1NC) (1NO) | SPDT | | 4† | | | 0.295 | 0.196 | | Square | Sd Eyelet | 0.638 | 293-H |
| 35-3414 | 35-3414-BU | 9 | 1NC 1NO | SPDT | | 4† | | | 0.295 | 0.196 | | Square | Sd Eyelet | 0.638 | 293-H |
| 35-3430 | 35-3430-BU | 9 | 2NC 2NO | DPDT | | 4† | | | 0.295 | 0.196 | | Square | Sd Eyelet | 0.638 | 293-H |
| 35-3431 | 35-3431-BU | 10 | 2NC 2NO | DPDT | | 4† | | | 0.295 | 0.196 | | Rq | Sd Eyelet | 0.638 | 293-I |
| 35-3432 | 35-3432-BU | 10 | (1NC) (1NO) | SPDT | | 4† | | | 0.295 | 0.196 | | Rq | Sd Eyelet | 0.638 | 293-I |

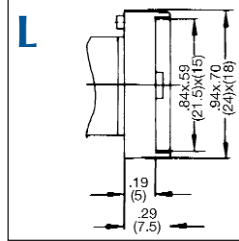
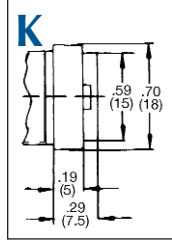
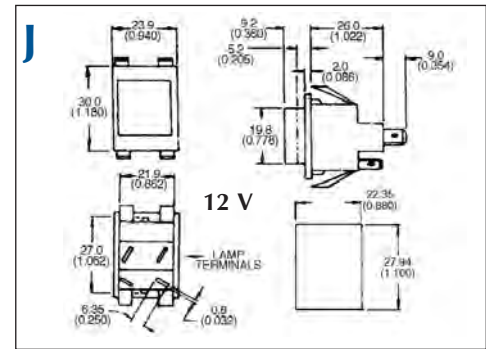
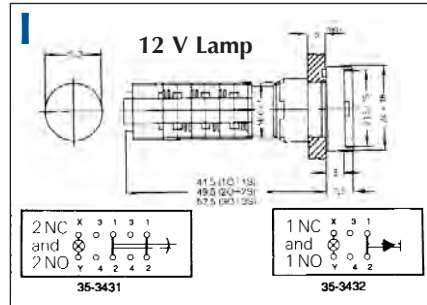
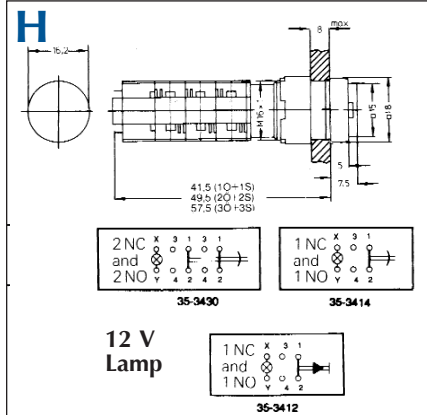
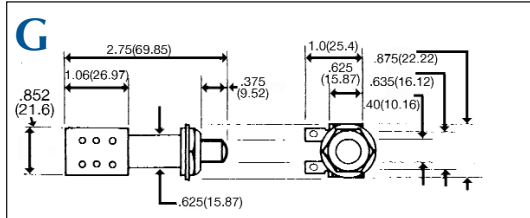
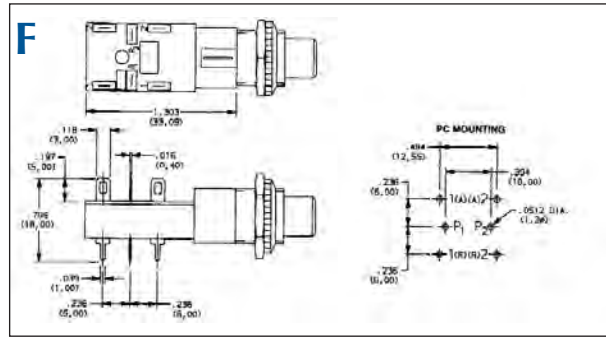
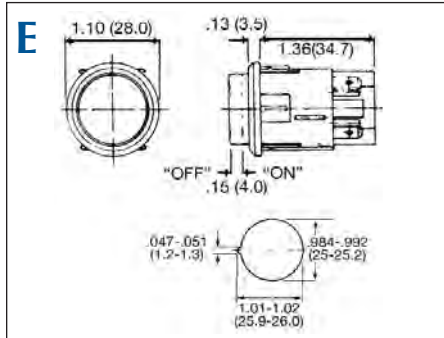
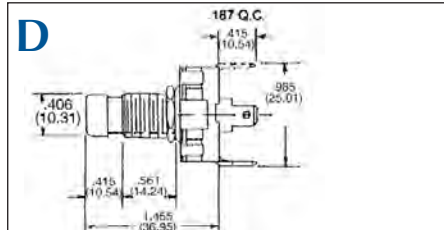
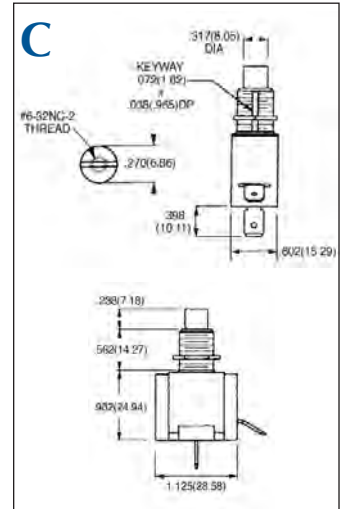
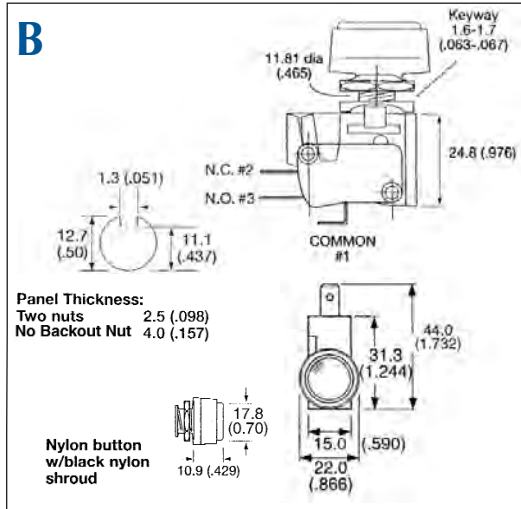
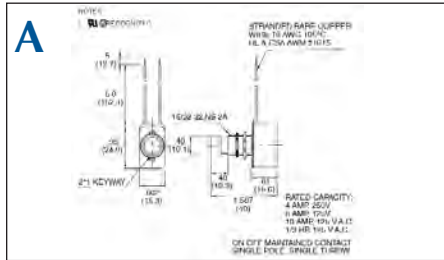
Lens and Diffuser Kits

Choose a Lens and Diffuser Kit below to go with Fig. 9 and Fig. 10 above part numbers (Sold Separately)

| Retail Part No. | Bulk Part No. | Fig. No. | Style | Color | Spec Drawing Page No. | Retail Part No. | Bulk Part No. | Fig. No. | Style | Color | Spec Drawing Page No. |
|-----------------|---------------|----------------------|--------|--------|-----------------------|-----------------|---------------|----------------------|-----------|--------|-----------------------|
| 35-3435 | 35-3435-BU | 11 | Square | Green | 293-K | 35-3440 | 35-3440-BU | 12 | Rectangle | Green | 293-L |
| 35-3437 | 35-3437-BU | 11 | Square | Red | 293-K | 35-3442 | 35-3442-BU | 12 | Rectangle | Red | 293-L |
| 35-3438 | 35-3438-BU | 11 | Square | Clear | 293-K | 35-3443 | 35-3443-BU | 12 | Rectangle | Clear | 293-L |
| 35-3439 | 35-3439-BU | 11 | Square | Yellow | 293-K | 35-3444 | 35-3444-BU | 12 | Rectangle | Yellow | 293-L |
| | 35-3400-BU | 12V Replacement Bulb | | | | | 35-3400-BU | 12V Replacement Bulb | | | |

Notes: ()=Momentary Function
 *NC=Normally Closed and NO=Normally Open
 ^=12V Incandescent
 N/R=Not Rated
 PCB=Printed Circuit Board
 †=0.2A @ 220VDC, 5mA @ 12VAC/DC
 ††=Lens Only
 QC=Quick Connect
 Rg=Rectangle
 Sd=Solder

STANDARD PUSHBUTTONS (Cont.)



Switches

X-ON Electronics

Largest Supplier of Electrical and Electronic Components

Click to view similar products for [Pushbutton Switches](#) category:

Click to view products by [GC Electronics](#) manufacturer:

Other Similar products are found below :

[LW1L-M1C10V-A](#) [LW2L-A1C20M-GD](#) [LW2L-M1C20M-A](#) [60324L](#) [M7E-HRN2](#) [67021K512](#) [67081K512X](#) [701PB580](#) [719-5504-000](#)
[MDPSSGLFS](#) [810KSV30B](#) [MML21KA3ABK](#) [MML23KA3AC05K-001](#) [MML23KW3AA01W](#) [8418K2](#) [8646AB6X718UL](#) [8646ABUL](#)
[FSDWH](#) [9001KXRK](#) [9001T8BK](#) [9533CD4+U574+U4922](#) [1203MRA](#) [A22EM01S](#) [A595](#) [1202A6](#) [12037A2ULCSA](#) [1203A2UL](#) [ABD122N-](#)
[B](#) [1211390004](#) [ABN111-Y](#) [ABN400-R](#) [1211500044](#) [1211580012](#) [1212MRA](#) [1232A6NF](#) [RA3CSH6A](#) [1241.1183.7047](#) [1241.2511](#)
[1241.3428](#) [1223A2ULCSA](#) [1223MRA](#) [1232AX2119](#) [1241.1183.8000](#) [1241.1183.8029](#) [1241.2506](#) [1241.2606](#) [12MA6](#) [1301940184](#)
[RELBARF6X10\(PLASTIC\)](#) [13435AG](#)