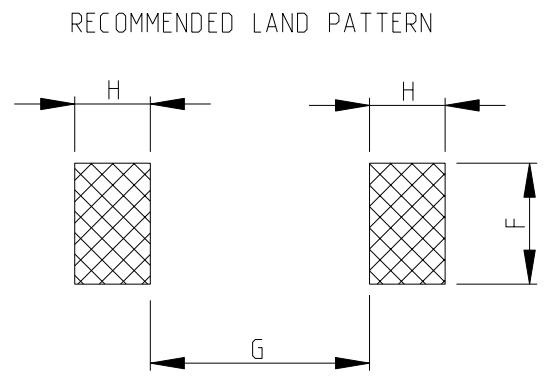
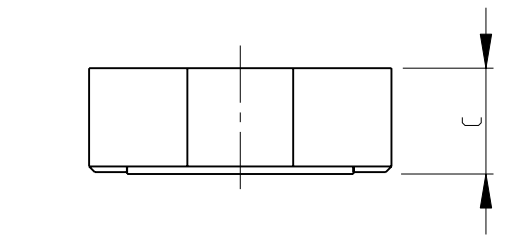
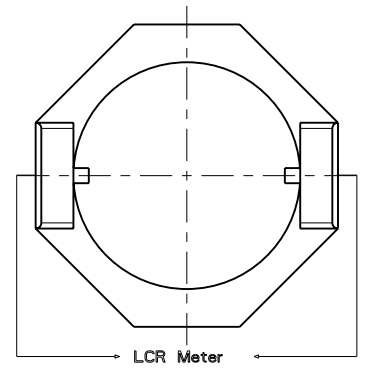
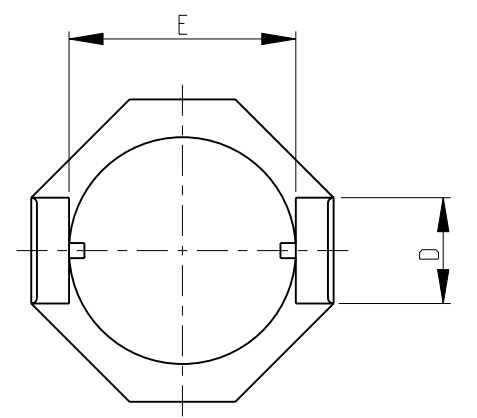
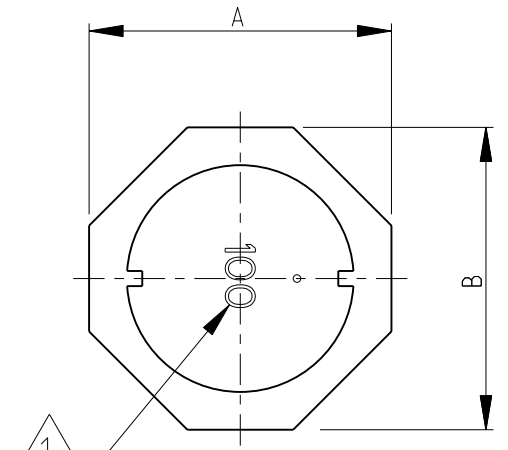
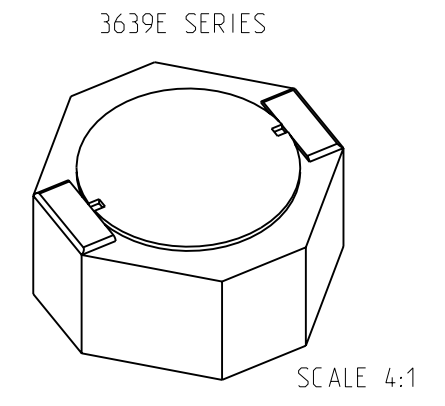
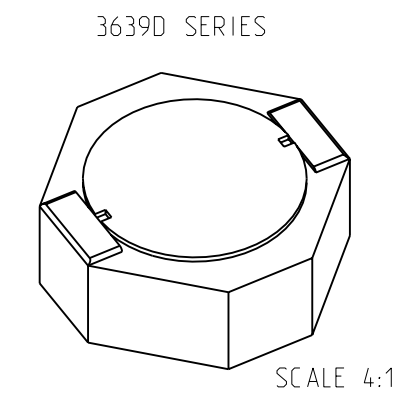
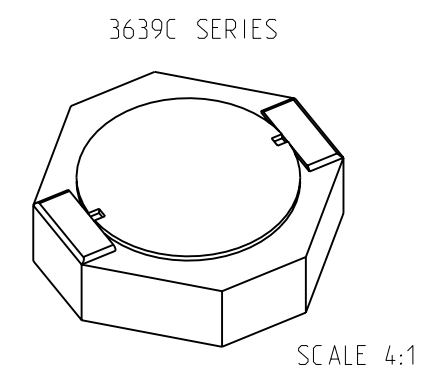
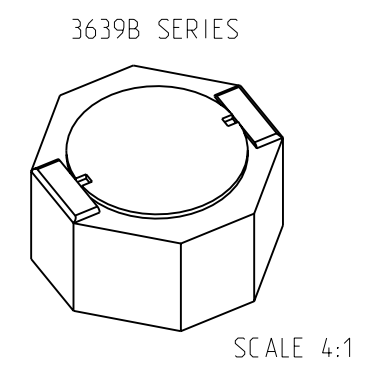
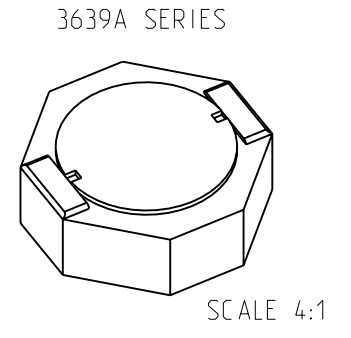


THIS DRAWING IS UNPUBLISHED. RELEASED FOR PUBLICATION 2008
 © COPYRIGHT 2008 BY TYCO ELECTRONICS CORPORATION. ALL RIGHTS RESERVED.

LOC	DIST	REVISIONS				
P	LTR	DESCRIPTION	DATE	DWN	APVD	
E	B	B	NEW RELEASE	14-NOV-08	SM	St.P



- 1 INDUCTANCE CODE
- 2 AVAILABLE IN 5 DIFFERENT SERIES
- 3 FOR FURTHER INFORMATION SEE DATA SHEET FOR 3639 SERIES-SHIELDED SMD POWER INDUCTORS



SERIES	A±0.3	B±0.3	C±0.3	D (TYP)	E (TYP)	F (REF)	G (REF)	H (REF)
3639E	10.0	10.0	4.8	3.2	7.4	3.6	7.2	1.8
3639D	10.0	10.0	3.8	3.2	7.4	3.6	7.2	1.8
3639C	10.0	10.0	2.8	3.2	7.4	3.6	7.2	1.8
3639B	8.0	8.0	4.3	2.8	6.0	3.2	5.8	2.0
3639A	8.0	8.0	2.8	2.8	6.0	3.2	5.8	2.0

RoHS Compliant

THIS DRAWING IS A CONTROLLED DOCUMENT FOR TYCO ELECTRONICS CORPORATION IT IS SUBJECT TO CHANGE AND THE CONTROLLING ENGINEERING ORGANIZATION SHOULD BE CONTACTED FOR THE LATEST REVISION.

DIMENSIONS:	TOLERANCES UNLESS OTHERWISE SPECIFIED:
mm	
	0 PLC ±0.2
	1 PLC ±0.1
	2 PLC ±-
	3 PLC ±-
	4 PLC ±-
	ANGLES ±5°
MATERIAL -	FINISH -

DWN	14-NOV-08	Tyco Electronics Corporation Dorcan, Swindon, SN3 5HH	
CHK	14-NOV-08	NAME SHIELDED SMD POWER INDUCTORS SERIES 3639	
APVD	14-NOV-08	SIZE	RESTRICTED TO
PRODUCT SPEC	-	A3	-
APPLICATION SPEC	-	CAGE CODE	00779
WEIGHT	-	DRAWING NO	1676953
CUSTOMER DRAWING		SCALE	5:1
		SHEET	1 OF 1
		REV	B

X-ON Electronics

Largest Supplier of Electrical and Electronic Components

Click to view similar products for [Fixed Inductors](#) category:

Click to view products by [TE Connectivity](#) manufacturer:

Other Similar products are found below :

[MLZ1608M6R8WTD25](#) [MLZ1608N6R8LT000](#) [MLZ1608N3R3LTD25](#) [MLZ1608N3R3LT000](#) [MLZ1608N150LT000](#)

[MLZ1608M150WTD25](#) [MLZ1608M3R3WTD25](#) [MLZ1608M3R3WT000](#) [MLZ1608M150WT000](#) [MLZ1608A1R5WT000](#)

[MLZ1608N1R5LT000](#) [B82432C1333K000](#) [PCMB053T-1R0MS](#) [PCMB053T-1R5MS](#) [PCMB104T-1R5MS](#) [CR32NP-100KC](#) [CR32NP-](#)

[151KC](#) [CR32NP-180KC](#) [CR32NP-181KC](#) [CR32NP-1R5MC](#) [CR32NP-390KC](#) [CR32NP-3R9MC](#) [CR32NP-680KC](#) [CR32NP-820KC](#)

[CR32NP-8R2MC](#) [CR43NP-390KC](#) [CR43NP-560KC](#) [CR43NP-680KC](#) [CR54NP-181KC](#) [CR54NP-470LC](#) [CR54NP-820KC](#) [CR54NP-8R5MC](#)

[MGDQ4-00004-P](#) [MGDU1-00016-P](#) [MHL1ECTTP18NJ](#) [MHL1JCTTD12NJ](#) [PE-51506NL](#) [PE-53601NL](#) [PE-53630NL](#) [PE-53824SNLT](#) [PE-](#)

[62892NL](#) [PE-92100NL](#) [PG0434.801NLT](#) [PG0936.113NLT](#) [PM06-2N7](#) [PM06-39NJ](#) [HC2LP-R47-R](#) [HC2-R47-R](#) [HC3-2R2-R](#) [HC8-1R2-R](#)