

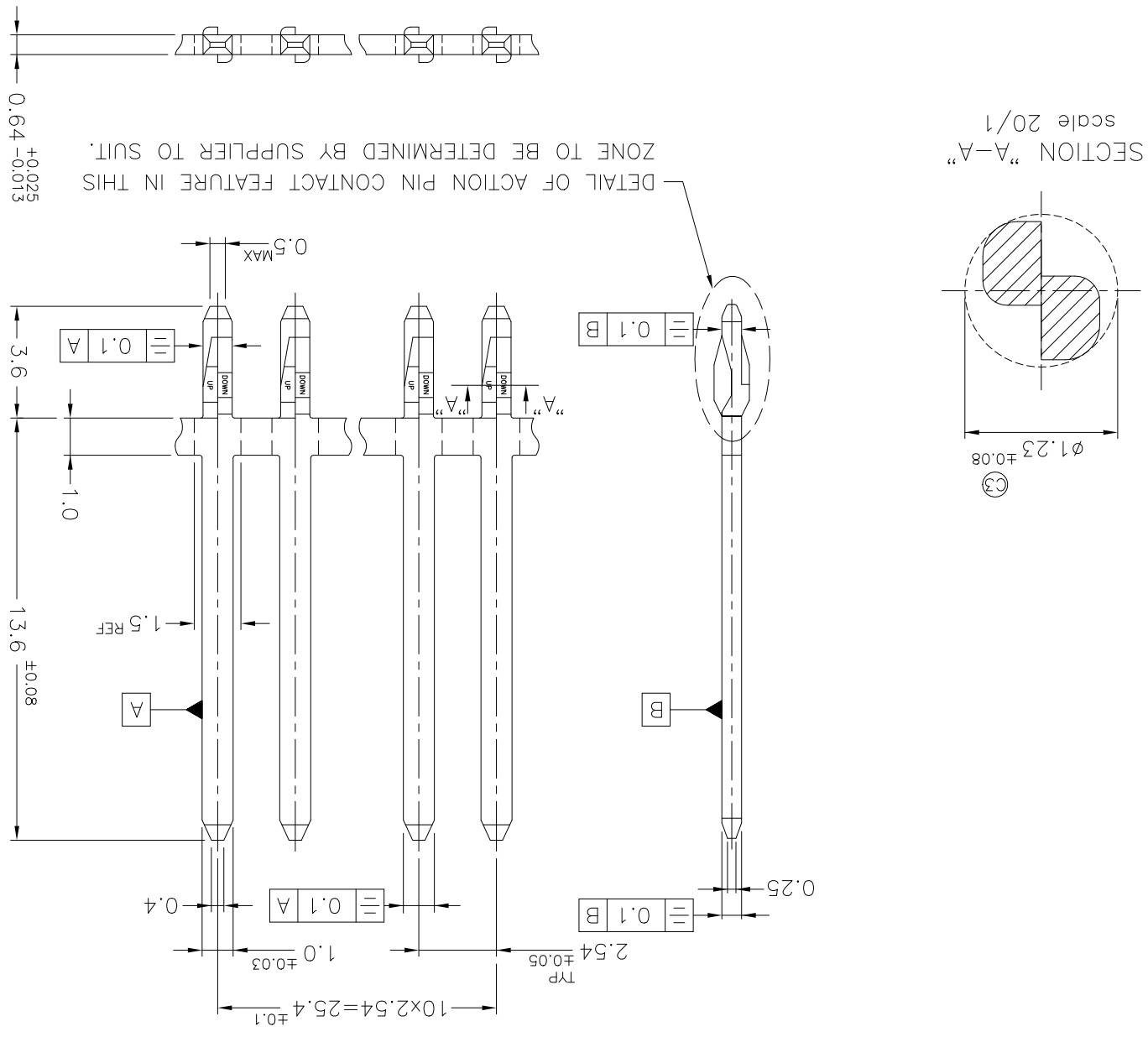
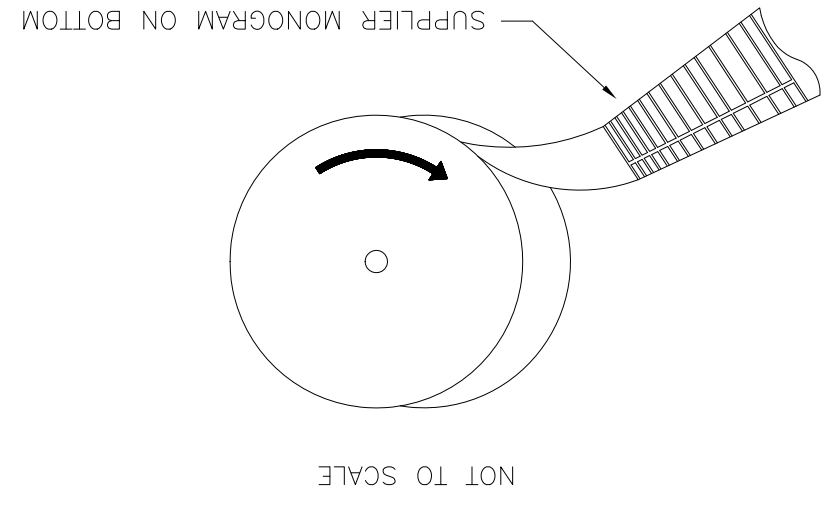
CUSTOMER DRAWING		SCALE 10/1	SHEET 1 OF 1	REV C3					
RESTRICTED TO	CAGE CODE	DRAWING NO	3 6 8 4 0 5						
<p style="text-align: center;">Tyco Electronics AMP KOREA, kyungsan, korea</p>									
					NAME	ACTION-PIN FOR .040 TYPE			
					CHK : YD LEE	APVD : HG CHD	PRODUCT SPEC	APPLICATION SPEC	WEIGHT
					DWN : SG DH	THIS DRAWING IS A CONTROLLED DOCUMENT FOR TYCO ELECTRONICS CORPORATION. IT IS SUBJECT TO CHANGE AND THE CONTROLLING ENGINEERING ORGANIZATION SHOULD BE CONTACTED FOR THE LATEST REVISION.			

REEL/Q'TY	FINISH	MATERIAL	PART NUMBER
585mm PAPER REEL/30M	TIN PLATING	▽	368405-2
600mm PLASTIC REEL/30M	TIN PLATING	▽	1-368405-2

MATERIAL	▽
FINISH	SEE TABLE
DIMENSIONS: MM	DIMENSIONS APPLY BEFORE PLATING
TOLERANCES UNLESS OTHERWISE SPECIFIED:	0 <XX<10 ± 0.2 10<XX<30 ± 0.25 30<XX<100 ± 0.3 ANGLES ± 3°

- ▽ PHOSPHOR BRONZE - HARD
- TRIMMING DIMENSION IS DETERMINED BY THE PRE-SETTING ON THE TE MACHINE.
 - PCB HOLE SIZE; DRILLED HOLE Ø: 1.15 ±0.025
FINISHED HOLE Ø: 0.94 ~1.09
Cu - THICKNESS: 0.025 ~0.075
SnPb - THICKNESS: 0.004 ~0.010
 - DIMENSIONS APPLY BEFORE PLATING

* NOTES: (C3)



REV	DATE	DESCRIPTION	LTR	P	DS
0	03.FEB'00	RELEASED (FC00-0016-00)	YM	CS	
A	30.NOV'00	REVISED (FC00-0152-00)	YM	CS	
B	25.JUL'01	REVISED (FC00-0088-01)	YM	CS	
C	13.MAY'03	REVISED (FC00-0068-03)	HS	CS	
C1	27.MAR'06	REVISED (ECR-06-007293)	YH	JK	
C2	06.JUL'06	REVISED (ECR-06-011318)	YH	JK	
C3	27.AUG'07	REVISED (ECR-07-005371)	SG	HG	

X-ON Electronics

Largest Supplier of Electrical and Electronic Components

Click to view similar products for [Terminals](#) category:

Click to view products by [TE Connectivity](#) manufacturer:

Other Similar products are found below :

[HT-13-10](#) [71M-250-32-NB](#) [01-2065-1-0216](#) [00581P0075](#) [M10-10RX](#) [M10BCK](#) [60205-1](#) [604200-1](#) [60598-1-CUT-TAPE](#) [60617-1-C](#) [60873-1](#) [M14-516R/SK](#) [M14-6RSX](#) [M18-10FLX](#) [M18-8FBX](#) [M18-8R/LX](#) [M18BCK](#) [61314-6-C](#) [61-S](#) [61-SN-A](#) [62-NBM-A](#) [63-S](#) [640179-1](#) [640917-2-CUT-TAPE](#) [6501550002](#) [66107-2-C](#) [66107-4-C](#) [696683-1](#) [696834-1](#) [696861-1](#) [696931-1](#) [696999-1](#) [M8-516RK](#) [M86700006](#) [MA250DMFMX-A](#) [701-2007](#) [701-2307](#) [701-7761-03](#) [70F-110-32-PB](#) [718-N-A](#) [71M-187-20-NBL](#) [71M-250-32-NBL](#) [72F-187-20-NBL](#) [72M-250-32-NBL](#) [7310](#) [73F-250-32](#) [73F-250-32-NBL](#) [73F-250-32-NL](#) [F14-10C](#) [F-1M](#)