



377-014
Composite Backshell
for Fiber Optic MIL-DTL-38999 Series III & IV Connectors

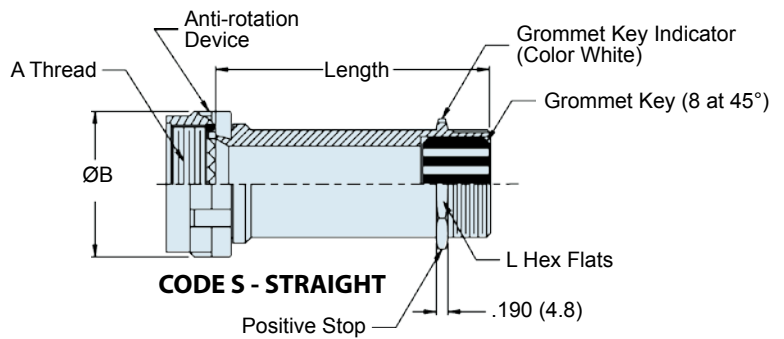
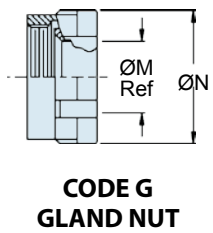
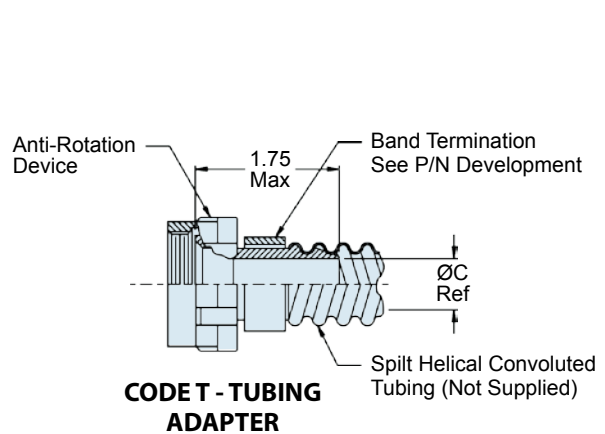
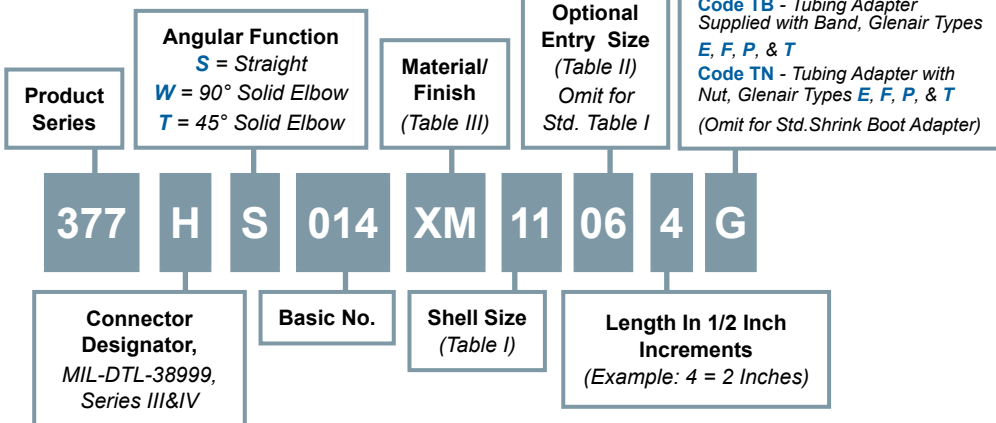
D38999
Series III

B

MIL-DTL-38999 series III & IV backshell



How To Order



Material and Finish
Adapters, Elbows, Coupling Nut, Nut: Hi-grade engineering thermoplastic/see table III
Grommet, O-Ring: Fluorosilicone
Anti-Rotation Device: Corrosion resistant material

Notes
Glenair 600 Series Backshell assembly tools are recommended for assembly and installation.
Standard minimum length: 1.5 inches, for shorter length consult factory.
For Sealing Plugs, see Glenair drawing 687-142.

377-014
Composite Backshell
 for Fiber Optic MIL-DTL-38999 Series III & IV Connectors



MIL-DTL-38999
 Series III Type

B

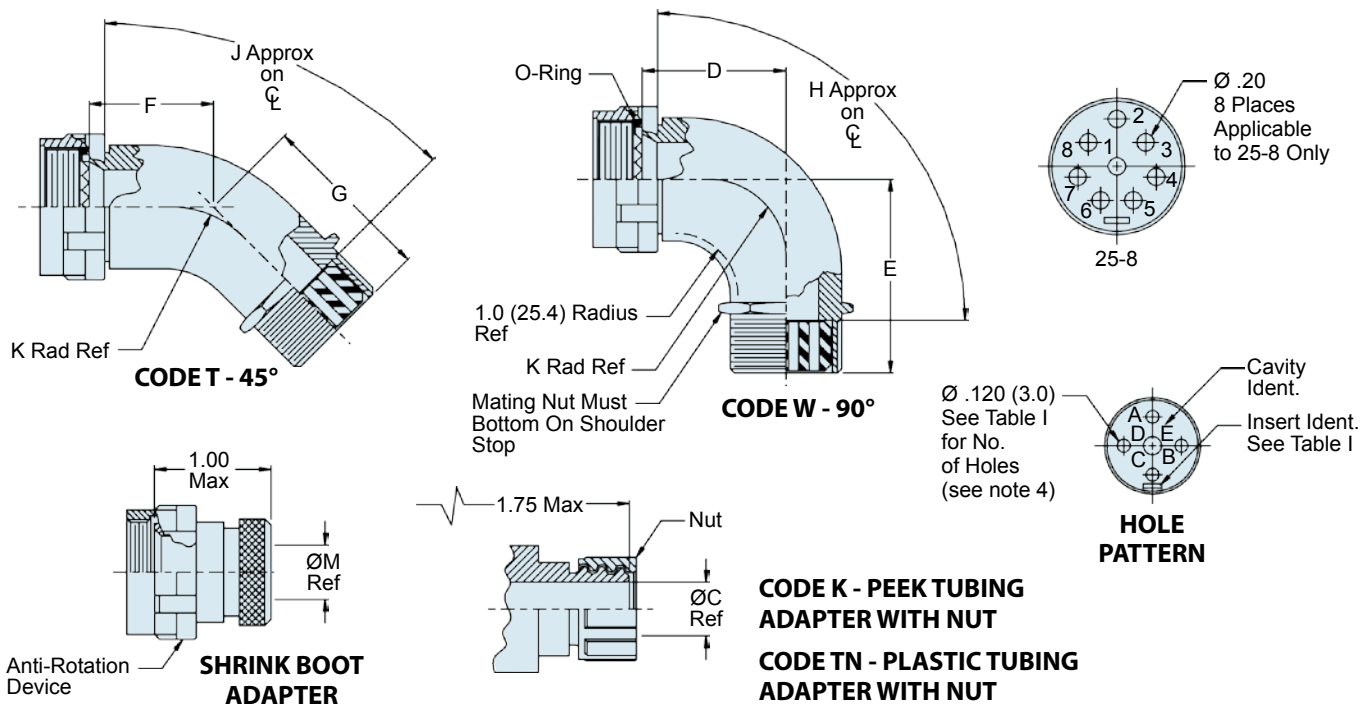


Table I

Shell Size	A Thread	ϕ B Max	Std. Conduit Size Ref.	D Max	E Max	F Max	G Max	H Approx	J Approx	K Ref	L Hex	ϕ M Ref	ϕ N Max	Insert Arrangement	No. Of Holes
11	M15 X 1 - 6H	1.00	3/8	1.78	1.93	1.33	1.56	2.23	2.09	1.20	.938	.32	1.38	11-2	2
13	M18 X 1 - 6H	1.12	7/16	1.84	1.98	1.39	1.62	2.28	2.21	1.26	.938	.54	1.38	13-4	4
15	M22 X 1 - 6H	1.25	1/2	1.90	2.08	1.45	1.68	2.45	2.33	1.32	.938	.54	1.38	15-5	5
17	M25 X 1 - 6H	1.38	5/8	1.97	2.14	1.51	1.74	2.47	2.44	1.38	1.250	.76	1.56	17-8	8
19	M28 X 1 - 6H	1.50	3/4	2.11	2.18	1.54	1.77	2.54	2.50	1.43	1.250	.76	1.56	19-11	11
21	M31 X 1 - 6H	1.62	7/8	2.07	2.25	1.61	1.84	2.64	2.64	1.49	1.500	1.00	1.81	21-16	16
23	M34 X 1 - 6H	1.75	1	2.14	2.31	1.67	1.89	2.76	2.75	1.55	1.500	1.00	1.81	23-21	21
25	M37 X 1 - 6H	1.88	1	2.19	2.19	1.73	1.96	2.84	2.87	1.62	1.812	1.27	2.12	25-29	29
25-8	M37 X 1 - 6H	1.88	1 1/4	2.19	2.19	1.73	1.96	2.84	2.87	1.62	1.812	1.27	2.12	25-8	8
25-37	M37 X 1 - 6H	1.88	1 1/4	2.19	2.19	1.73	1.96	2.84	2.87	1.62	1.812	1.27	2.12	25-37	37

Table II

Entry Size	ϕ C Ref Code T & TN	ϕ C Ref Code K	Optional Conduit Size Ref.
03	.188	.188	9/32
04	.236	-	5/32
05	.250	.265	3/8
06	.338	.330	7/16
07	.398	.390	1/2
08	.523	.515	5/8
10	.648	.640	3/4
11	.648	.640	3/4
13	.778	.765	7/8
15	.875	.889	1
17	1.078	1.125	1 1/4

Table III: Material and Finish

Code	Material	Finish Description
-		Dash (-) For No Plating, Amber Color
XB		No Plating - Black Color
XM	Composite	Electroless Nickel
XW		Cadmium Olive Drab Over Electroless Nickel
XMT		Nickel-PTFE, Grey

Refer to Appendix for material/finish details

X-ON Electronics

Largest Supplier of Electrical and Electronic Components

Click to view similar products for [Circular MIL Spec Backshells](#) category:

Click to view products by [Glenair](#) manufacturer:

Other Similar products are found below :

[5M2919-3DW](#) [5M2920-3CW](#) [5M2953-1HW](#) [60-036152-022](#) [610HS012M15](#) [M28840/504WA](#) [M28840/805WB](#) [M28840/809WA](#)
[M28840/815WA](#) [M28840/816WA](#) [627AS017M14](#) [62GB5851608S](#) [655HS002NF11](#) [CW3703-000](#) [CW3899-000](#) [M85049/10-134S](#)
[M85049/10-17S](#) [M85049/10-33S](#) [M85049/10-94W](#) [M85049/11-09W](#) [M85049/11-28N](#) [M85049/11-37N](#) [M85049/11-53N](#) [M85049/11-63N](#)
[M85049/118-20W](#) [M85049/124-23W](#) [M85049/124S09W](#) [M85049/126S23W](#) [M850491712W02](#) [M85049/1720N04B](#) [M85049/1817N06](#)
[M850491819W03](#) [M85049/1821W05C](#) [M85049/1825W06C](#) [M85049/1919N05](#) [M85049/1919W04](#) [M850491919W07](#) [M85049/23-59W](#)
[M85049/23-74W](#) [M8504924-5W](#) [M85049/24-71N](#) [M85049/25-47N](#) [M85049/25-94W](#) [M85049/27S12N](#) [M8504938-13S](#) [M85049/38-19S](#)
[M85049/39-11S](#) [M85049/39-17S](#) [M85049/39-9S](#) [M85049/3W4A2](#)