

MICRO SWITCH

A DIVISION OF MINNEAPOLIS-HONEYWELL REGULATOR COMPANY
 FREEPORT, ILLINOIS

SWITCH-ACTUATOR

FED. MFR. CODE 91929

(M) SKETCH 33378
 ISSUE 1

JX-29

M

DRAWING NUMBER

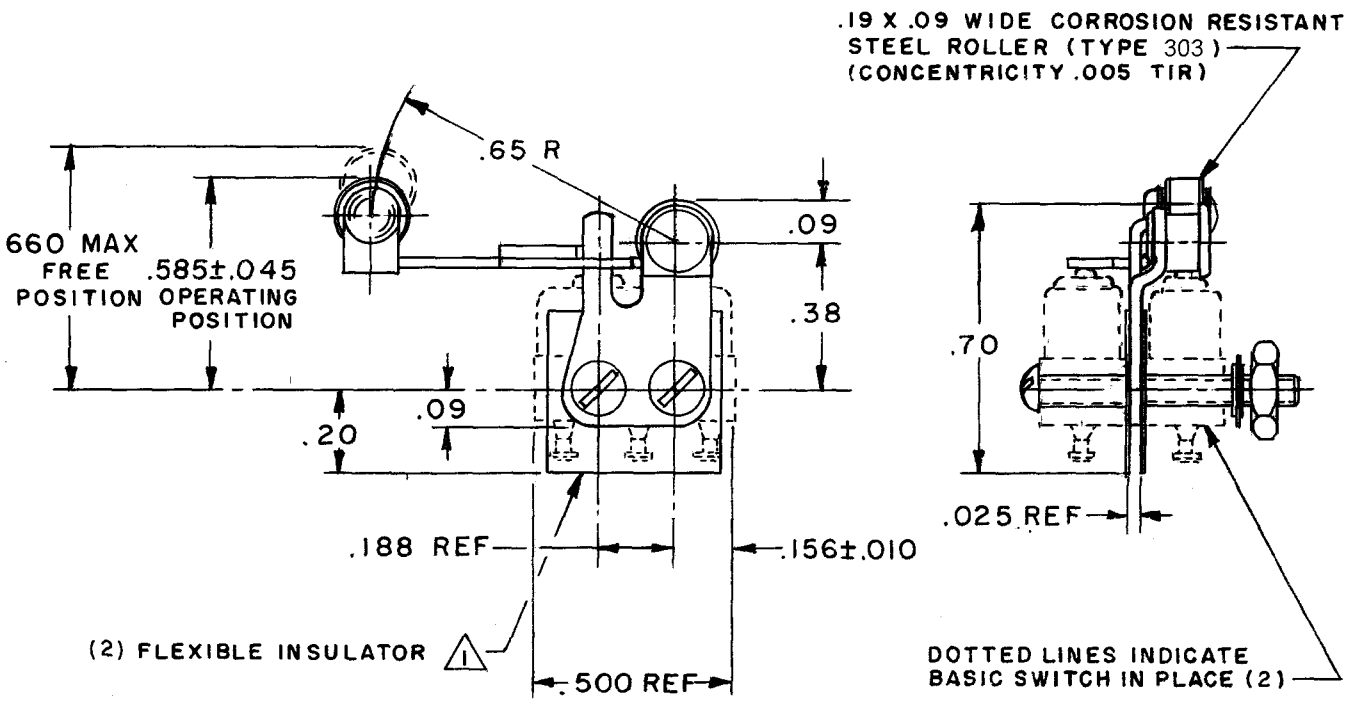
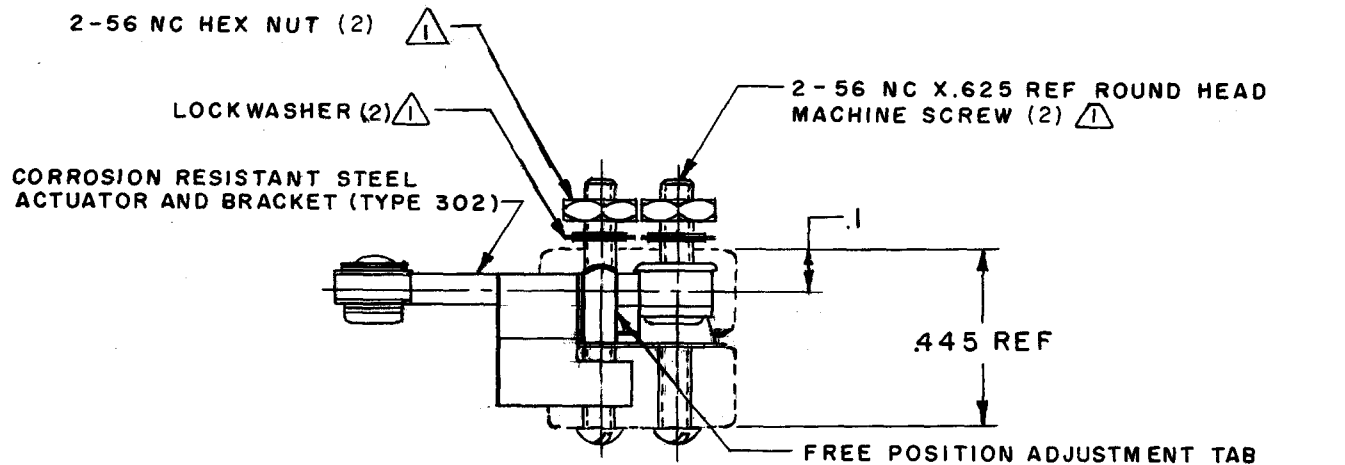
X 2
 X 5
 X 6

ISSUE

REVISIONS

A	C047771	CJH	17 MAY 80
B	C075331	OBS	15 DEC 93
C	PR20935	REINST	17 DEC 93
D	C079303	KDR	8 MAR 95
E	0015428	DLT	14 SEP 05

REPLACES ISSUE 1
 RELEASE NO. PR-20935
 14 SEP 05
 CHECK RJ
 CHECK b
 CHECK FWF
 CHECK G1
 CHECK DAW
 CHECK G1
 DRAWN M B F
 19 DEC 61



NOTE -
 (triangle symbol) - FURNISHED UNASSEMBLED

THIS DRAWING COVERS A PROPRIETARY ITEM AND IS THE PROPERTY OF MICRO SWITCH, A DIVISION OF MINNEAPOLIS-HONEYWELL REGULATOR CO. THIS DRAWING IS NOT TO BE COPIED OR USED WITHOUT THE APPROVAL OF MICRO SWITCH.

CHARACTERISTICS	WITH ISXI-T BASIC SWITCH INSTALLED
OPERATING FORCE	3 OZ MAX (85 GRAMS MAX)
RELEASE FORCE	8 GRAMS MIN (.29 OZ MIN)
DIFFERENTIAL TRAVEL	.030 MAX
OVERTRAVEL	.020 MIN

ELECTRICAL DATA	
CONTACT ARRANGEMENT	BREAK DISTANCE

SCALE 2 TO 1	
DO NOT SCALE PRINT	
UNLESS OTHERWISE SPECIFIED DIMENSIONS ARE IN INCHES	
TOLERANCES ARE:	
ONE PLACE (.0)	±.030
TWO PLACE (.00)	±.015
THREE PLACE (.000)	±.005
ANGLES	±
WEIGHT	

X-ON Electronics

Largest Supplier of Electrical and Electronic Components

Click to view similar products for [Switch Hardware](#) category:

Click to view products by [Honeywell](#) manufacturer:

Other Similar products are found below :

[893102000](#) [LZZ1A](#) [0098.9234](#) [61-9707.7](#) [61-9771.0](#) [M2PA-5011](#) [635401](#) [6PA104](#) [6PA113](#) [6PA147-E6](#) [6PA148-E6](#) [6PA32](#) [6PA9](#) [700106](#)
[700109](#) [700201A56](#) [700303A56](#) [700701264](#) [700C1GRY](#) [700C2GRN](#) [704-6001](#) [704.960.4](#) [704.960.9](#) [704.965.1](#) [704.965.2](#) [704.965.6](#)
[704.966.0](#) [7089-3](#) [71M1048](#) [757200264](#) [778000A56](#) [79215938](#) [MHU35](#) [MHU37](#) [825.003.011](#) [825.005.011](#) [825.053.011](#) [825.055.011](#)
[826.000.071](#) [827.020.011](#) [827.400.021](#) [835.900.023](#) [MML52C10C](#) [MML52E10C](#) [MML72EEK](#) [MML92HGH](#) [MML93K](#) [84211M02CNNS](#)
[84211M02LGRS](#) [84211M02LNNX3](#)