

2-spoke handwheels plastic

Item description/product images



Description

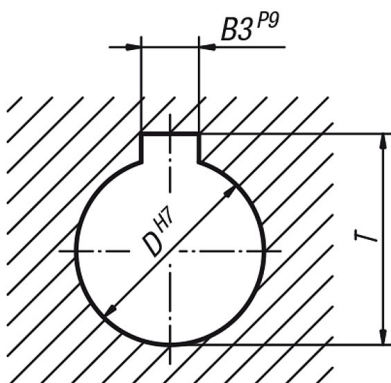
Material, version:

Handwheel reinforced and stabilised polyamide, oil and grease resistant, black (RAL 9011), satin finish. Centre plug grey polyamide (RAL 7035 code 13). Bush burnished steel.

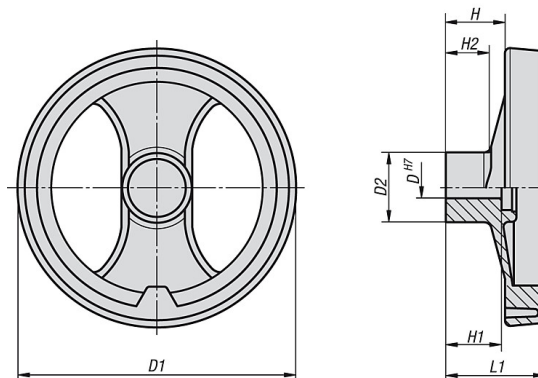
On request:

Other cap colours, special versions.

keyway DIN 6885-1



Drawings



2-spoke handwheels plastic

Overview of items

Order No. hub without slot	Order No. hub with slot	D	D1	D2	H	H1	H2	L1	B3	T	Approx. weight kg
K0725.0080X08	K0725.1080X08	8	80	24,5	20	20	16	34	-/2	-/9	0,094
K0725.0080X10	K0725.1080X10	10	80	24,5	20	20	16	34	-/3	-/11,4	0,092
K0725.0100X10	K0725.1100X10	10	99	28	25,5	24	20	42	-/3	-/11,4	0,152
K0725.0100X12	K0725.1100X12	12	99	28	25,5	24	20	42	-/4	-/13,8	0,150
K0725.0130X12	K0725.1130X12	12	129	32	30	24	21	50	-/3	-/13,8	0,240
K0725.0130X14	K0725.1130X14	14	129	32	30	24	21	50	-/5	-/16,3	0,237
K0725.0160X14	K0725.1160X14	14	159	40	33	32	22	57	-/5	-/16,3	0,390
K0725.0160X16	K0725.1160X16	16	159	40	33	32	22	57	-/5	-/18,3	0,385
K0725.0200X16	K0725.1200X16	16	198	51	31	32	17,5	60	-/5	-/18,3	0,630
K0725.0200X20	K0725.1200X20	20	198	51	31	32	17,5	60	-/6	-/22,8	0,624
K0725.0250X20	K0725.1250X20	20	252	55,5	39,5	36	24	71	-/6	-/22,8	0,920
K0725.0250X24	K0725.1250X24	24	252	55,5	39,5	36	24	71	-/8	-/27,3	0,910
K0725.0345X20	K0725.1345X20	20	346	67,5	42	32	24	79	-/6	-/22,8	1,520

X-ON Electronics

Largest Supplier of Electrical and Electronic Components

Click to view similar products for [Knobs & Dials](#) category:

Click to view products by [Kipp](#) manufacturer:

Other Similar products are found below :

[61-9028.20](#) [61-9028.9](#) [8529](#) [8573](#) [9-1437622-4](#) [11K5015-EMNB](#) [11K5019-ECNB](#) [11K5020-KLAB](#) [11K5028-JMNG](#) [11K5048-KMNB](#)
[11K5014-EMNB](#) [11K5015-EMNG](#) [11K5019-EMNB](#) [11K5029-KMNG](#) [P400S-08-D6-N](#) [K6510](#) [KNSL500B1/8](#) [AL811BA18](#) [420031B18](#)
[5006](#) [KB700BA1/4](#) [KS700B14](#) [411](#) [4-1437621-3](#) [420065A14AL](#) [5149A](#) [52-928.20](#) [52-928.60](#) [52-928.9](#) [8517](#) [8546](#) [8570](#) [8572](#) [H-516-3A](#)
[P861H-0X-S6](#) [8544](#) [11K5014-JMNG](#) [11K5014-KMNG](#) [11K5014-ECNG](#) [5700E](#) [KA500B18](#) [KFS600B14](#) [KN900AB14](#) [KFS500B14](#)
[KNS501B18](#) [PKD60B1018](#) [PK1100B18](#) [PKES140B14](#) [PKES150B14](#) [PKJT70B14](#)